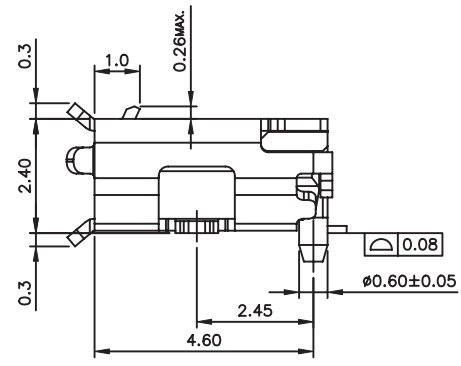
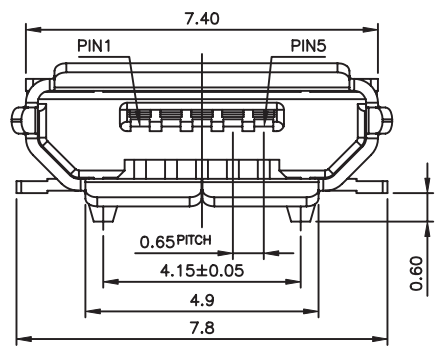


PCB LAYOUT - COMPONENT VIEW
TOLERANCE: ±0.05mm



TECHNICAL CHARACTERISTICS

MATERIAL
INSULATOR MATERIAL: LCP
FLAMMABILITY RATING UL94-V0
COLOUR: BLACK
CONTACT MATERIAL: COPPER ALLOY
CONTACT TYPE: STAMPED
CONTACT PLATING: SELECTIVE GOLD
SHIELDING: BRASS NI PLATED
QUALITY CLASS: 10.000 MATING CYCLES

ENVIRONMENTAL
OPERATING TEMPERATURE: -40 °C UP TO 105 °C
COMPLIANCE: LEAD FREE AND ROHS

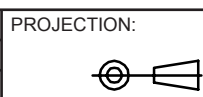
ELECTRICAL
CURRENT RATING:
- PIN 1 & PIN 5 (Vbus & corresponding ground PIN) 1.8A Max
- OTHER PINS 1A max
WORKING VOLTAGE: 30 V
INSULATION RESISTANCE: >1000 MOHM
DIELECTRIC WITHSTANDING VOLTAGE: 750 VAC/MN
CONTACT RESISTANCE: 20 MOHM MAX

STANDARD
CERTIFIED: E323964 / MODEL NUMBER 629105136821

SOLDERING
REFLOW PROCESS ONLY

PACKAGING
TAPE AND REEL

RoHS Compliant			
J	05-APR-12	CURRENT RATING	GG
I	05-APR-12	CURRENT RATING	GG
H	29-APR-11	PACKAGING	GG
REV	DATE	FILE	BY



GENERAL TOLERANCE
.X = +/- 0.2
.XX = +/- 0.15



APPROVAL: RJ

UNIT: MM
SCALE:
SHEET: 1/2
DRAW:

DESCRIPTION: MICRO USB SMT TYPE B 5 CONTACTS
WERI PART NO: 629 105 136 821

SIZE
A4

1

2

3

4

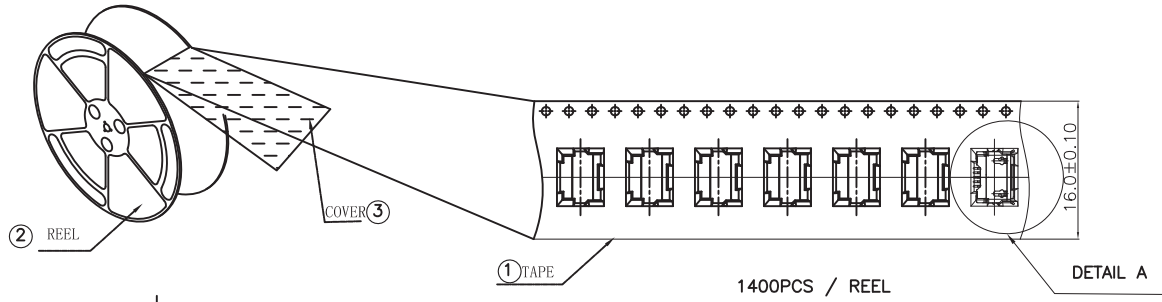
5

A

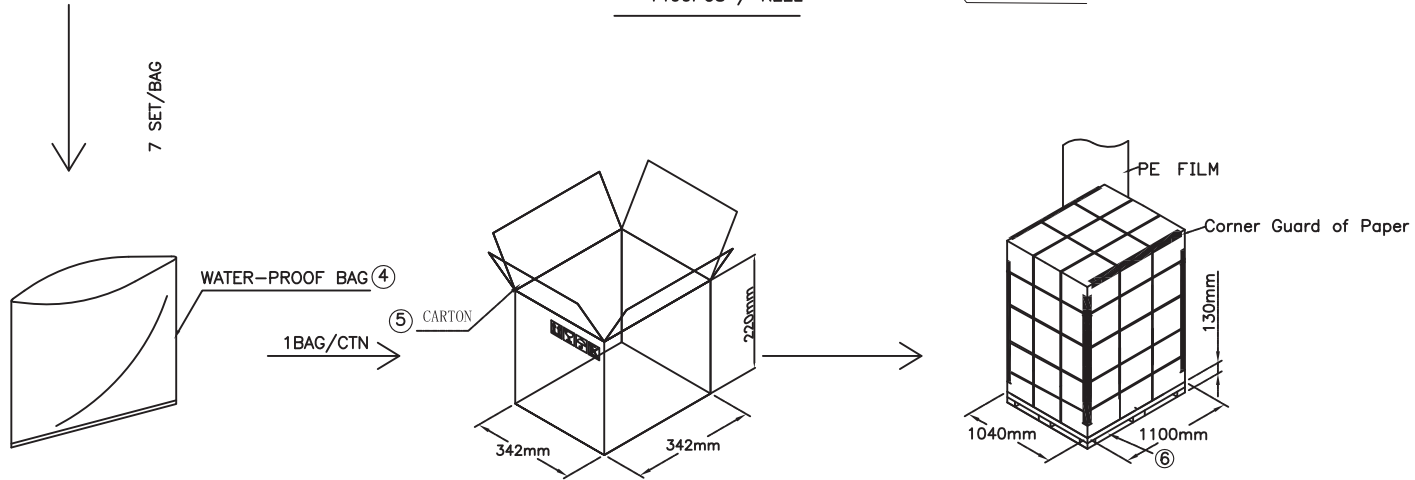
B

C

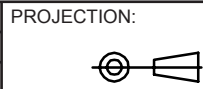
D



1. PACK:1400PCS/SET 9800PCS/CTN.
 2. CARTON SIZE:342*342*220mm.



RoHS Compliant			
REV	DATE	FILE	BY



GENERAL TOLERANCE

.X = ± 0.2

.XX = ± 0.15



APPROVAL: RJ

UNIT: MM

SCALE:

SHEET: 2/2

DRAW:

DESCRIPTION: MICRO USB SMT TYPE B 5 CONTACTS

WERI PART NO: 629 105 136 821

SIZE

A4