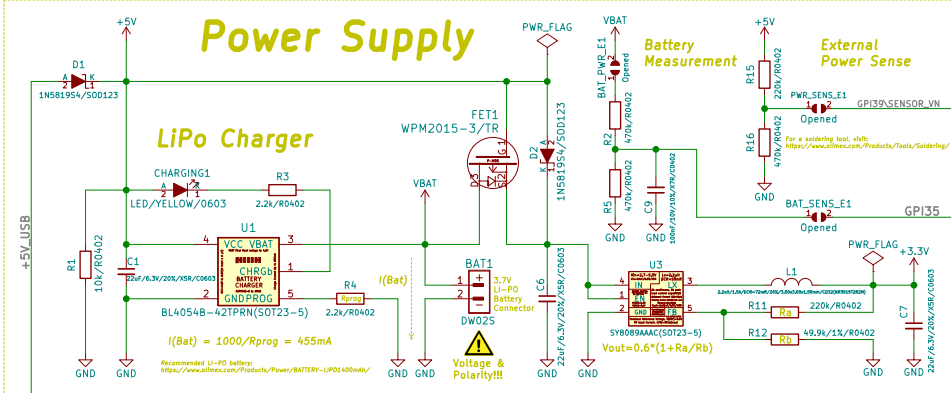
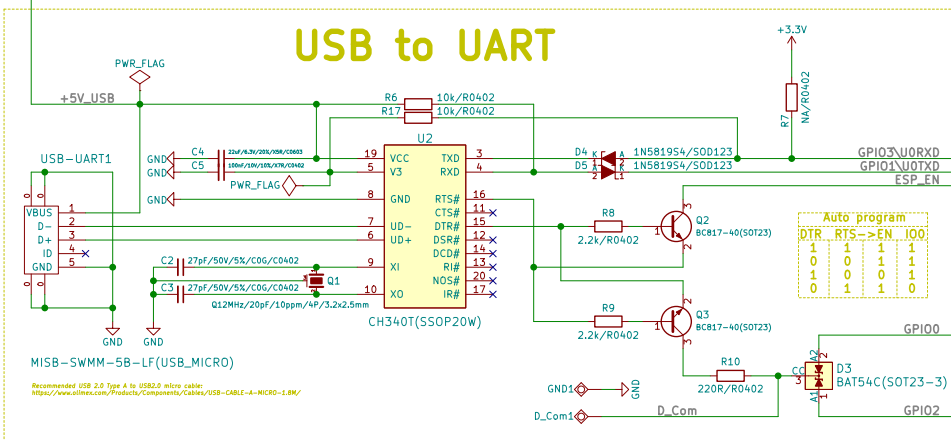


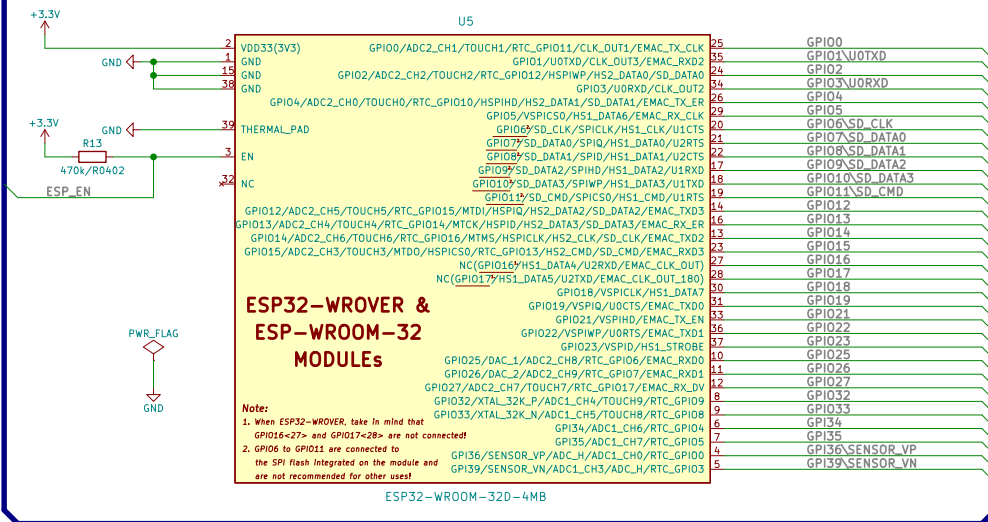
# Power Supply



# USB to UART



# ESP32-WROOM-32x-xxx MODULE

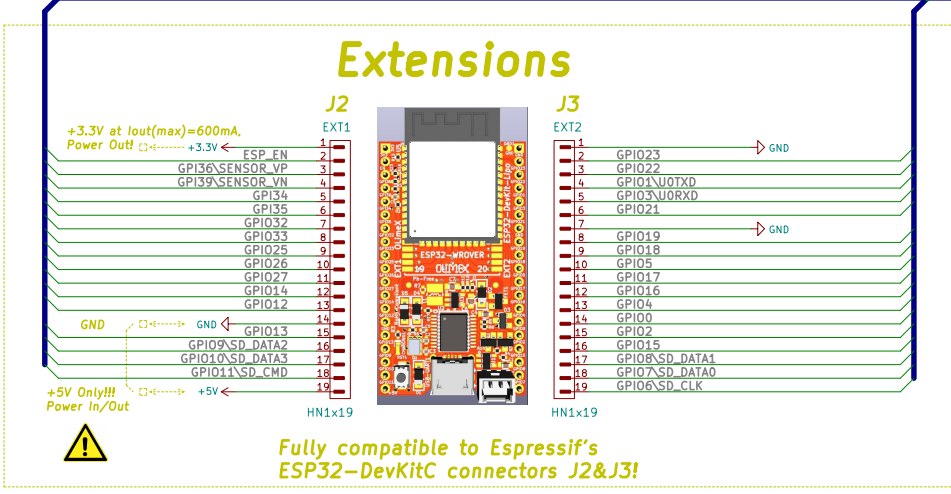


# Fiducials:

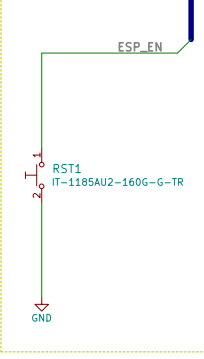


MTDO/GPIO12:	GPIO0:	GPIO2:	GPIO4:	MTDO/GPIO15:	GPIO5:
Pull-Down	Pull-Up	Pull-Down	Pull-Down	Pull-Up	Pull-Up

# Extensions



# Reset Button



# Software Selectable Pins

Interface:	Signal	Pin
EMAC	EMAC_MDC_out	Any GPIO
	EMAC_MDIO_in	
	EMAC_MDIO_out	
	EMAC_COL_out	
I2C	I2CEXT0_SCL_in	Any GPIO
	I2CEXT0_SDA_in	
	I2CEXT1_SCL_in	
	I2CEXT1_SDA_in	
	I2CEXT0_SCL_out	
	I2CEXT1_SCL_out	
General Purpose SPI	HSPiQ_In/_out	Any GPIO
	HSPiD_In/_out	
	HSPiCLK_In/_out	
	HSPiCS0_In/_out	
	HSPiCS1_out	
	HSPiCS2_out	
	VSPiQ_In/_out	
	VSPiCLK_In/_out	
VSPiCS0_In/_out		
VSPiCS1_out		
VSPiCS2_out		

Pin	Default	Voltage of Internal LDO(VDD_S0I0)	Bootstrapping Mode	Download Boot
GPIO12/MTDO	0	3.3V	1.8V	1
GPIO0	0	3.3V	1.8V	1
GPIO2	0	3.3V	1.8V	1
GPIO4	0	3.3V	1.8V	1
GPIO15	1	3.3V	1.8V	1
GPIO5	0	3.3V	1.8V	1



<https://www.olimex.com>  
**OLIMEX LTD.**  
 File: ESP32-DevKit-Lipo\_Rev\_B.sch  
**Title: ESP32-DevKit-Lipo**  
 Size: A3 Date: 2020-06-08  
 KiCad E.D.A. kicad 5.1.6-c6e7f7486ubuntu18.04.1  
 Rev: B  
 Id: 1/1 PB-Free