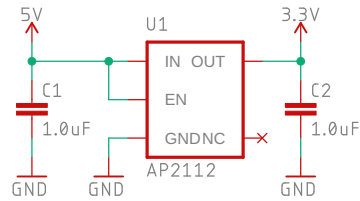
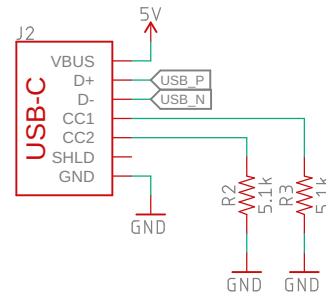


3.3V Regulation

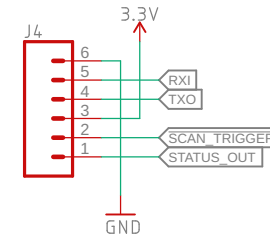


Vin Range: 2.5 – 6.0 V

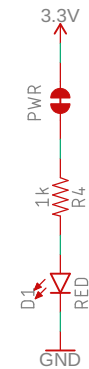
USB-C HID



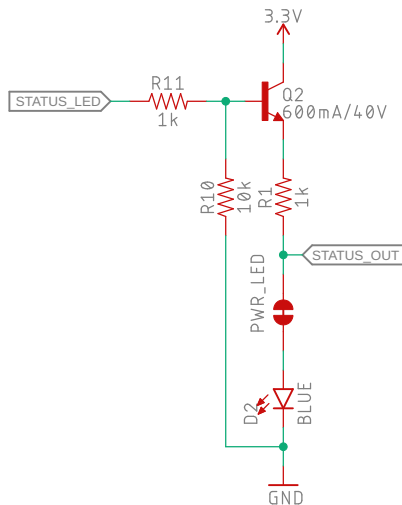
Pin Header



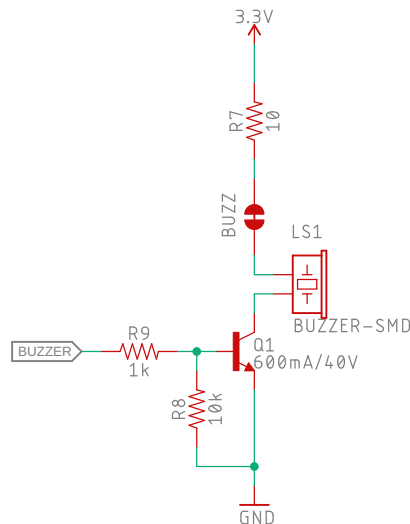
Power LED



LED Driver



Buzzer Driver



2D Barcode Reader

