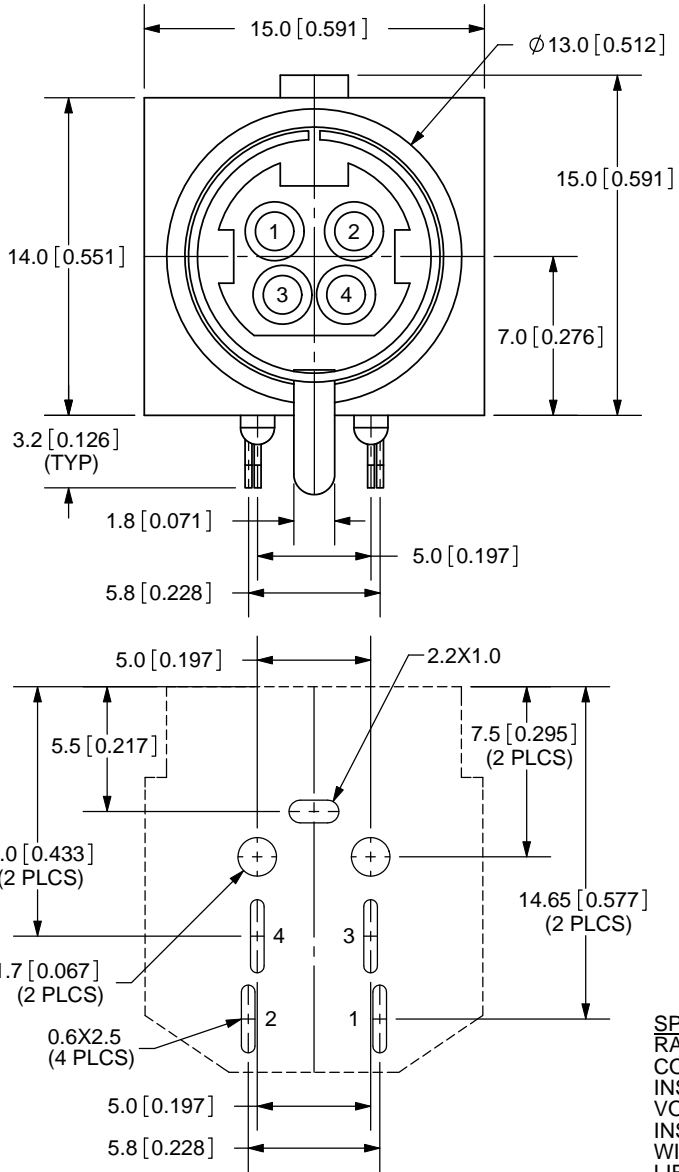
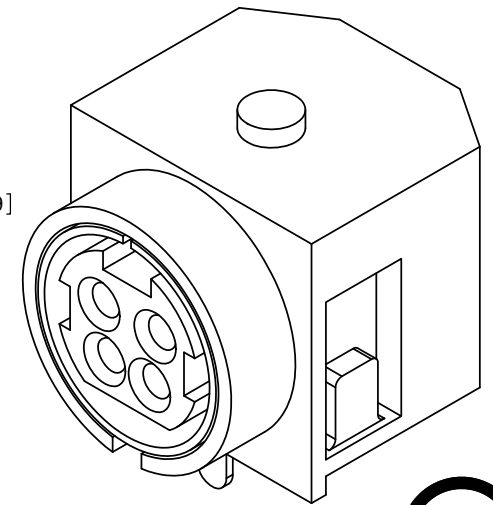
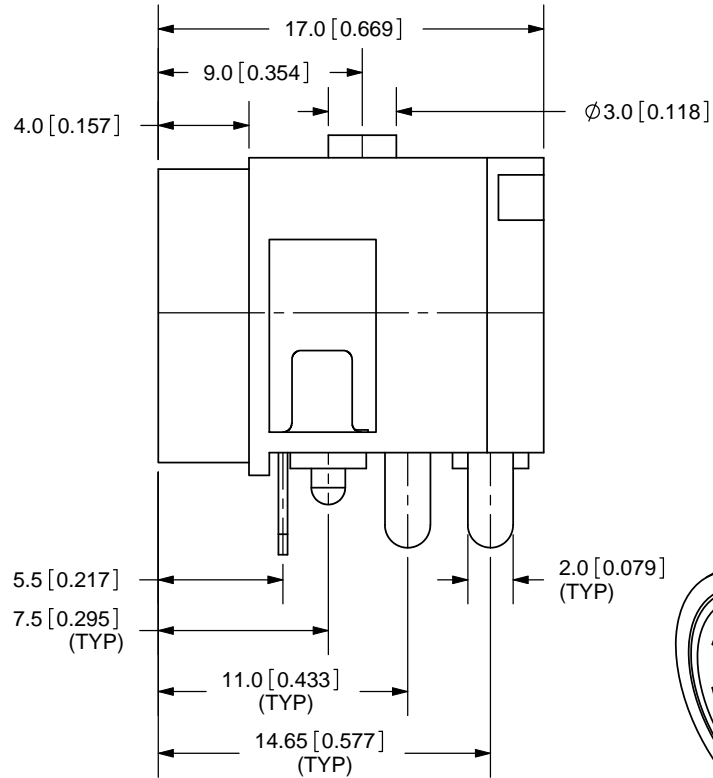


REV.	DESCRIPTION	DATE
A	NEW DRAWING	11/19/2008
B	update to tolerance	9/8/2009



PCB LAYOUT  
TOP VIEW



TOLERANCE:  
±0.2mm UNLESS OTHERWISE  
SPECIFIED



**SPECIFICATIONS:**  
 RATING: 20V DC @ 7.5A  
 CONTACT RESISTANCE: 30m OHMS MAX  
 INSULATION RESISTANCE: 50M OHMS MIN: 250V DC  
 VOLTAGE WITHSTAND: 250V AC R.M.S. FOR 1 MINUTE  
 INSERTION FORCE: 6.0KG MAX  
 WITHDRAWAL FORCE: 0.5 - 6.0KG  
 LIFE: 1,000 CYCLES

	MATERIAL	PLATING
TERMINALS 1-4	Brass	Tin
EARTH TERMINAL	Brass	Tin
HOUSING	PBT	



20050 SW 112th Ave.  
 Tualatin, OR 97062  
 Phone: 503-612-2300  
 800-275-4899  
 Fax: 503-612-2383  
 Website: www.cui.com

TITLE: 4-PIN POWER DIN JACK, RIGHT ANGLE, NO SHIELDING		REV: B
PART NO. PD-40	UNITS: MM [INCHES]	
DRAWN BY: ZRJ	APPROVED BY:	SCALE: 3:1

PC FILE NAME:  
PD-40

COPYRIGHT 2008 BY CUI INC.