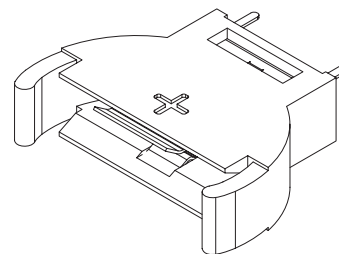
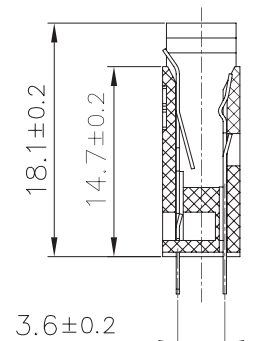
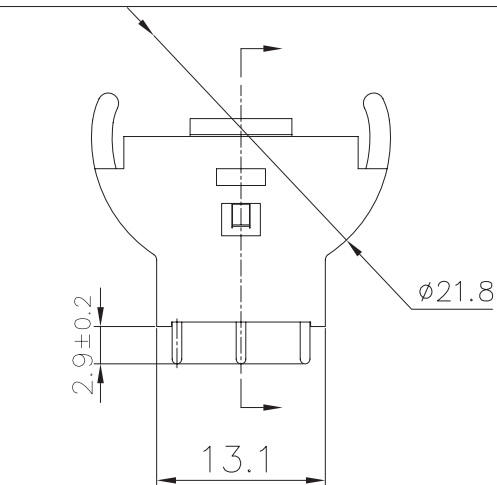


REV.	MATTER	APP.	DATE
A			



NOTE:

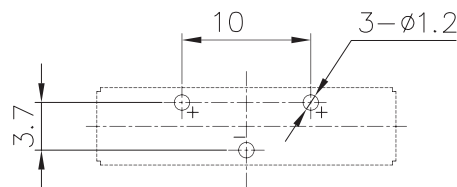
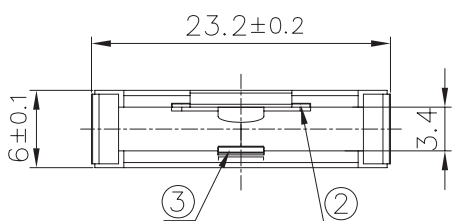
1.MATERIAL:

- a.HOUSING:THERMOPLASTIC GLASS FIBRE UL94V-0
 - b.CONTACT:PHOSPHOR BRONZE (SURFACE PLATING: Ni 100u")
- SEE ORDERING INFORMATION

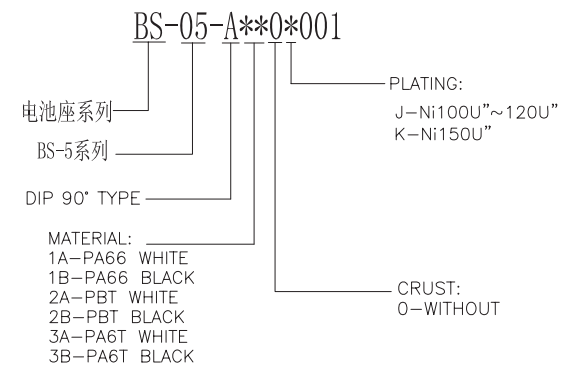
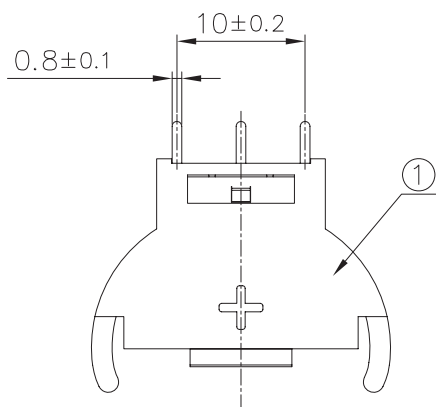
2.ELECTRIC:

- a.CONTACT RESISTANCE: 30 MILLIOHMS MAX
- b.INSULATION RESISTANCE: 1000 MEGA OHMS MIN
- c.DIELECTNIC VOLTAGE: 750V AC ONE SEC LEVEL
- d.OPERATING TEMPERATURE: -55°C~ +85°C

ORDERING INFORMATION



PCB Holes Diagram
Top View



TOLERANCE		Tolerance:Unless otherwise specified			
LINEAR ANGLE x. ±1 x.' ±5' .x ±0.38 .x" ±2" .xx ±0.25 .xx' ±1" .xxx ±0.10 .xxx" ±1"	3	TERMINAL-2	PHOSPHOR BRONZE	Ni-Plated	
	2	TERMINAL-1	PHOSPHOR BRONZE	Ni-Plated	
	1	HOUSING	PA66	BLACK	
	NO.	PART NAME	MATERIAL	COLOR/FINISHED	

日期DATE	单位UNITS	审核CHECK	BATTERY HDLDER	PART NO.	
	mm			BS-05-A1B0J001	
比例SCALE	制图DRAW	设计DESIGN	TITLE:		
1/1			三PIN电池座立式 (BS-5)		