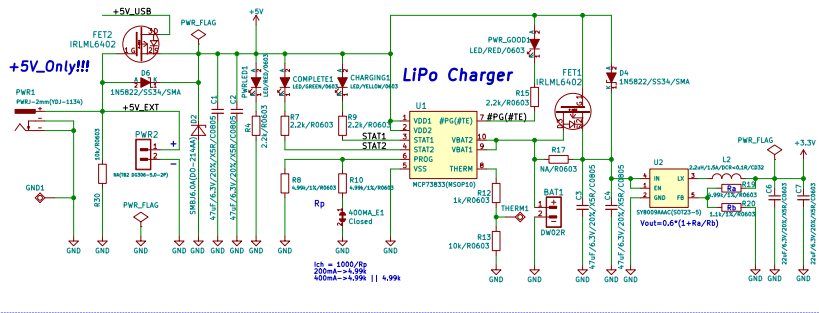
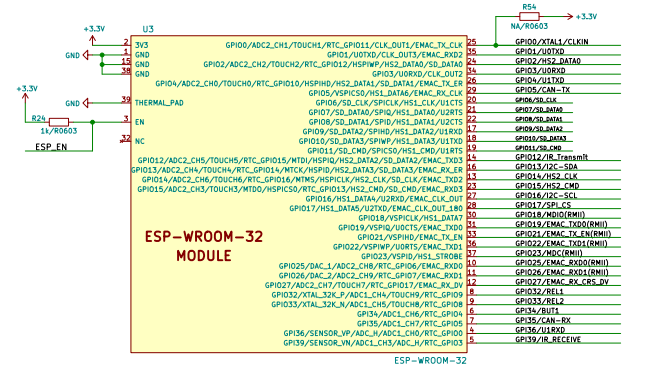


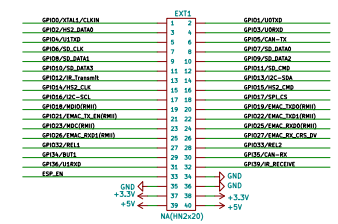
Power Supply



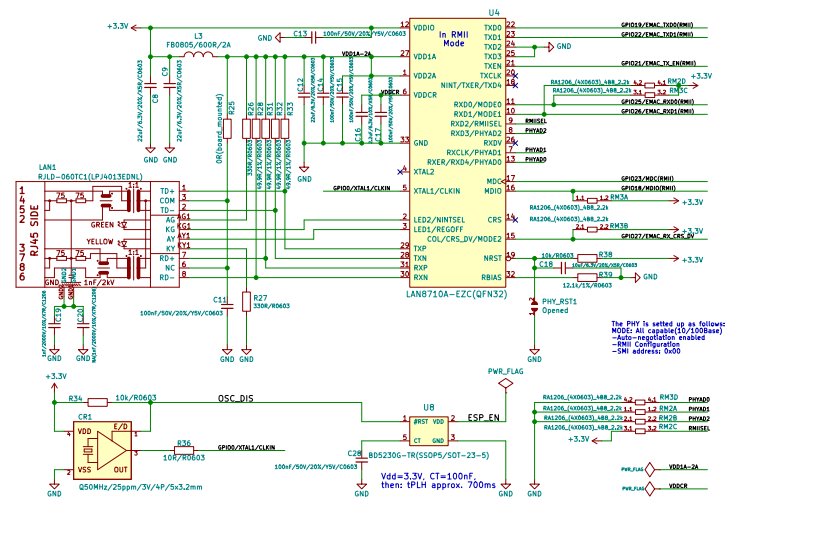
ESP-WROOM-32 MODULE



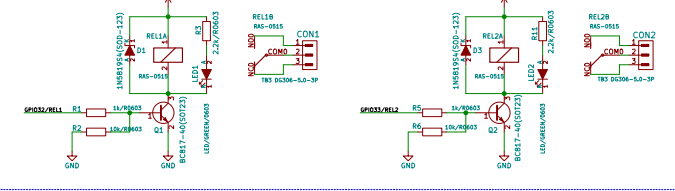
Extension



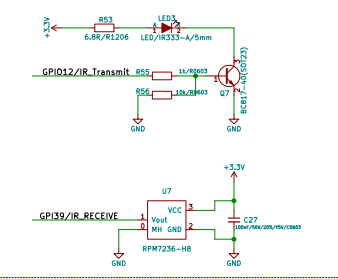
Ethernet



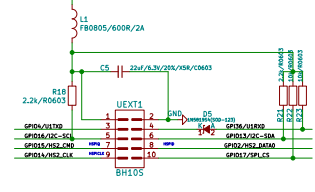
Relays



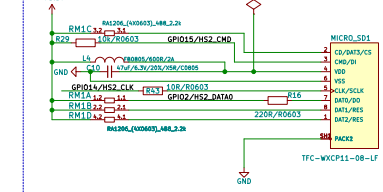
Infrared Communication



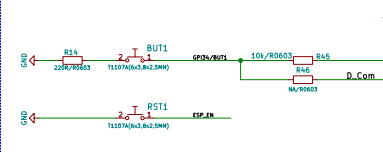
UEXT



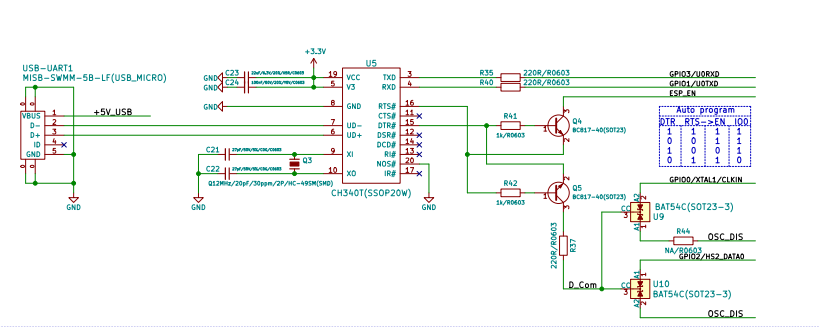
SD/MMC Card



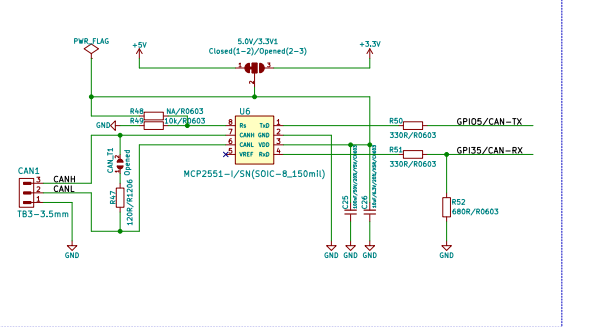
Buttons



USB to UART



CAN Driver



Interface	Signal	Pin
EMAC	EMAC_MDC	Any GPIO
	EMAC_MDIO	Any GPIO
	EMAC_MDI0_in	Any GPIO
	EMAC_CRS_in	Any GPIO
	EMAC_COL_in	Any GPIO
I2C	ICEXTR_SCL_in	Any GPIO
	ICEXTR_SDA_in	Any GPIO
	ICEXTR_SCL_out	Any GPIO
	ICEXTR_SDA_out	Any GPIO
	ICEXTR_SDA_in	Any GPIO
General Purpose SPI	HSPICL_in	Any GPIO
	HSPICL_out	Any GPIO
	HSPICLK_in	Any GPIO
	HSPICLK_out	Any GPIO
	HSPICLK_in	Any GPIO

Mounting Holes
GPIO2: MH2
GPIO3: MH3

Internal Bootstrapping Resistors	
MTD0/GPIO2:	Pull-Down
GPIO3:	Pull-Up
GPIO2:	Pull-Down
GPIO4:	Pull-Down
MTD0/GPIO5:	Pull-Up
GPIO5:	Pull-Up

Bootstrapping Pins Settings			
Pin	Default	Without Internal Bootstrapping	With Internal Bootstrapping
GPIO2/MTD0	Pull-Down	0	1
GPIO3	Pull-Up	1	0
GPIO4	Pull-Down	0	1
GPIO5	Pull-Up	1	0