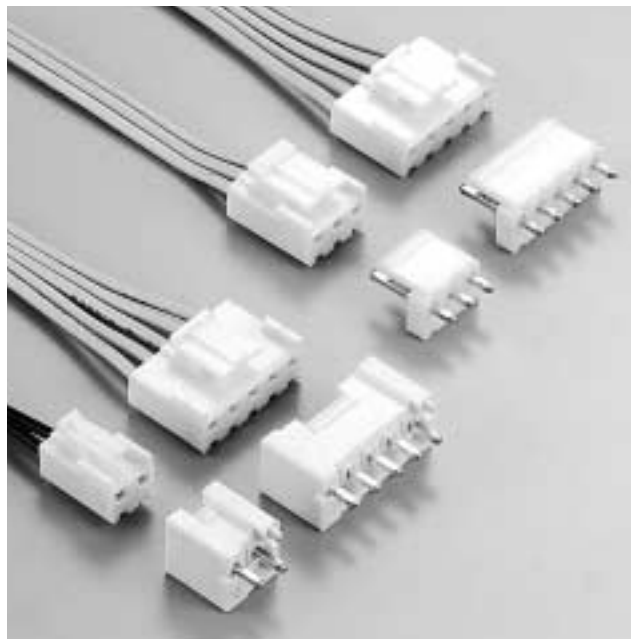
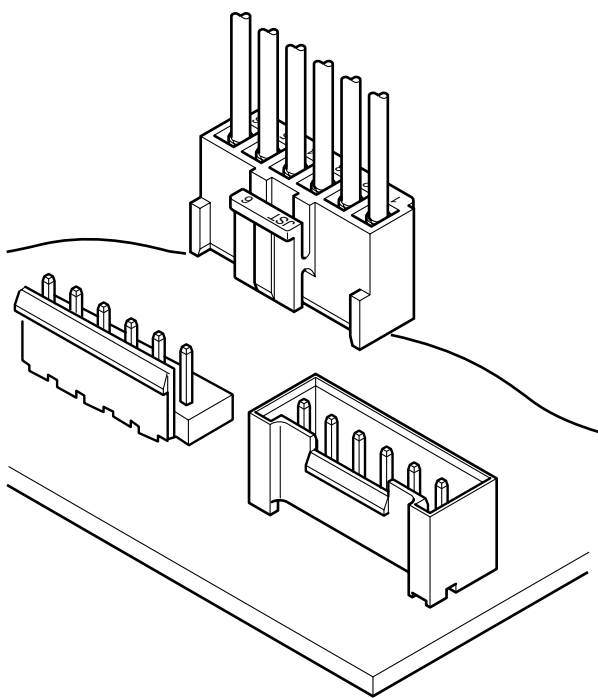


VH CONNECTOR

Disconnectable Crimp style connectors



This small, field-proven connector for printed circuit boards is reliable and has a large current carrying capacity. It can be used with a wide variety of signal, power supply, and output circuits that appear in consumer electronic products.



Features

• Proven box contact

This connector was developed with the same box-shaped contact design used successfully in the NH connectors. The reliable VH connector can be used in a wide variety of applications, from low-voltage, low-current signal circuits to power supply circuits having a relatively large capacity.

• Compact connector with a large capacity

Even though this connector has a large current carrying capacity (10A), it is compact, with a mounting height of 16.5mm (.650").

• Secure contact and mounting

The housing has a lock mechanism which prevents the connector from coming loose due to vibration. The mechanism also prevents misinsertion (misalignment or reverse insertion).

Specifications

- Current rating: 10A AC, DC (AWG#16)
- Voltage rating: 250V AC, DC
- Temperature range: -25°C to +85°C
(including temperature rise in applying electrical current)
- Contact resistance: Initial value/10m Ω max.
After environmental testing/20m Ω max.
- Insulation resistance: 1,000M Ω min.
- Withstanding voltage: 1,500V AC/minute
- Applicable wire: AWG #22 to #16
- Applicable PC board thickness: 1.6mm(.063")

Note:

Do not branch in parallel current which exceeds the rated current. If branched in parallel, current imbalance or other problems may develop. If it is absolutely necessary to branch such a large current in parallel, be sure to use contacts made of phosphor bronze. Design the circuits without causing imbalance and provide an extra margin for each circuit.

* Contact JST if Lead-Free product is required.

* Temperature Range:

The aforementioned temperature range of this connector is described in JST Standard Product Specification. Maximum temperature registered in UL is 105°C.

* Refer to "General Instruction and Notice when using Terminals and Connectors" at the end of this catalog.

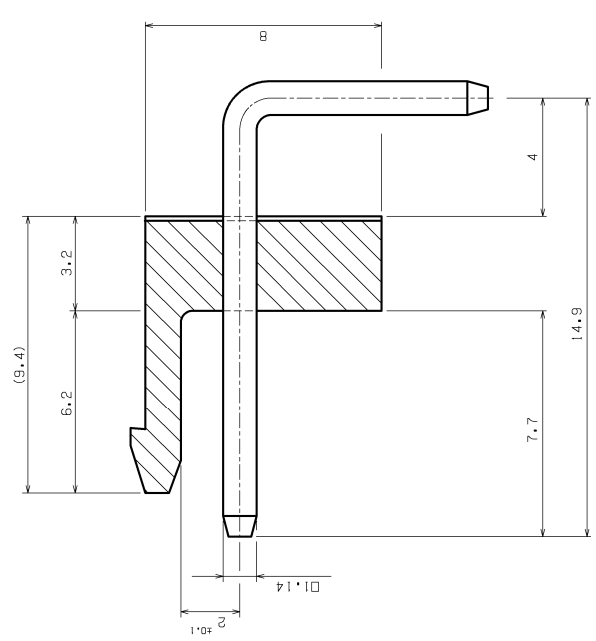
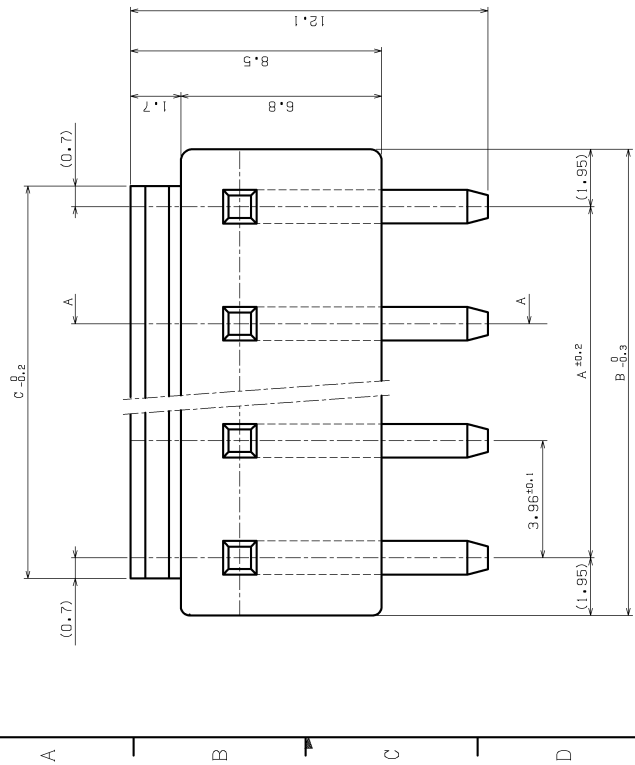
* Contact JST for details.

Standards

- Recognized E60389
- 1 Certified LR20812
- 2 R75122

1 2 3 4 5 6 7 8 9 10 11 12

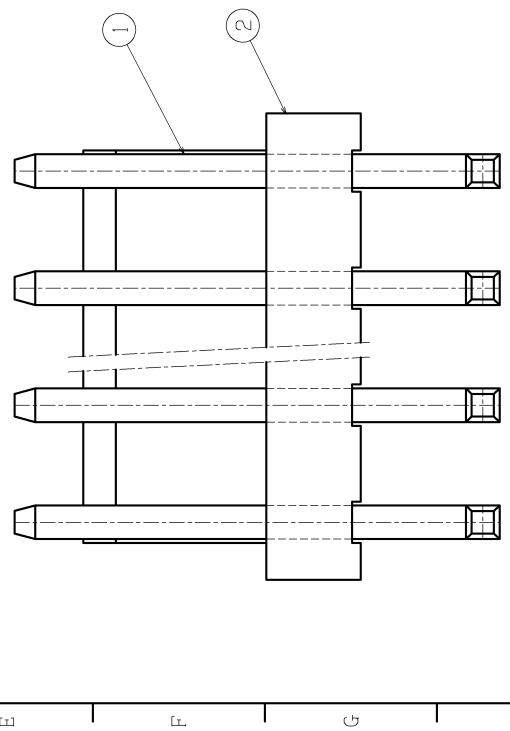
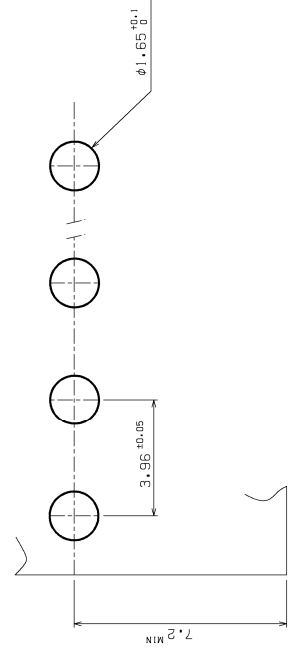
REV.	DESCRIPTION	DATE	DESIGNED
△			



NOTE
 1. Unless otherwise specified, tolerances are ±0.3.
 2. The deviation at the top of post shall be ±0.15.
 3. Tolerance of hole pitch on PCB are not cumulative.

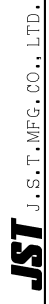
10	35.64	39.54	37.04
9	31.68	35.58	33.08
8	27.72	31.62	29.12
7	23.76	27.66	25.16
6	19.80	23.70	21.20
5	15.84	19.74	17.24
4	11.88	15.78	13.28
3	7.92	11.82	9.32
2	3.96	7.86	5.36
Cir- cuts	A ^{±0.2}	B ^{-0.3}	C ^{-0.2}

A-A sec.



Recommendable P.C.Board hole layout

2	WAFER	66NYLON	COPPER UNERPLATED	UL94V-0, NATURAL
1	POST	BRASS	TIN PLATED	
No.	PART NAME	MATERIAL	SURFACE FINISH	REMARKS
A2	METRIC B-1	PRODUCTION DATE	CUSTOMER	
SIZE	UNIT	SCALE	DATE	
A2	METRIC	B:1	JAN. 5, 2004	
APPROVED	CHECKED	DESIGNED	DRAWN	
S.K	T.S	N.H		
SERIE	NAME	VH	CONNECTOR	
PART	No.	B ()	PS-VH (LF) (SN)	
DRAWING	No.	KRD-35490		RO



J.S.T. MFG. CO., LTD.