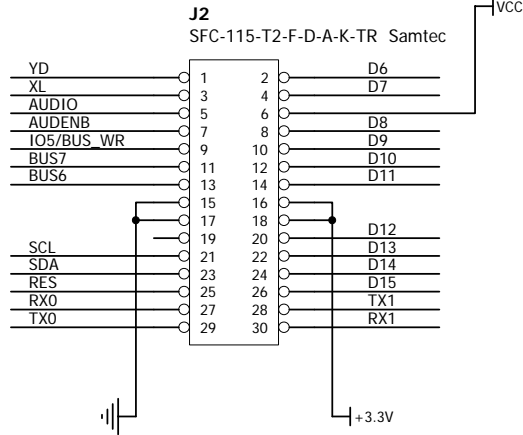
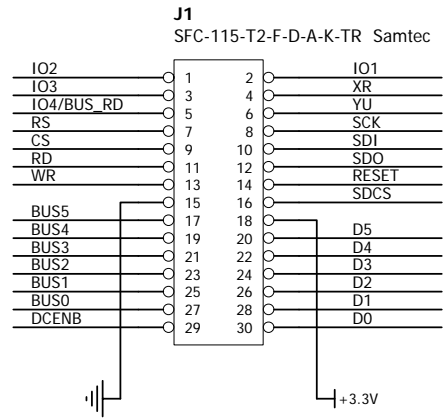
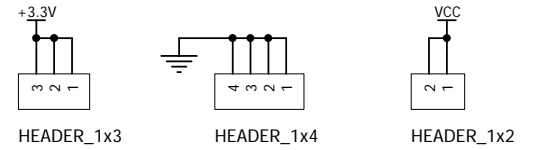


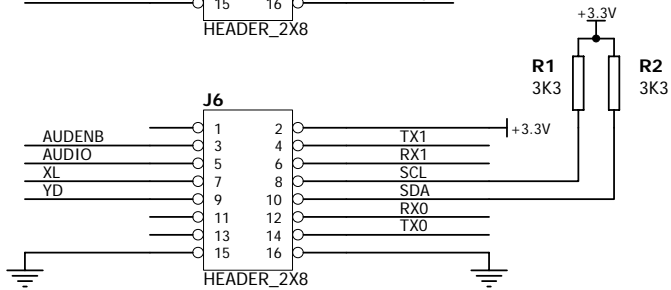
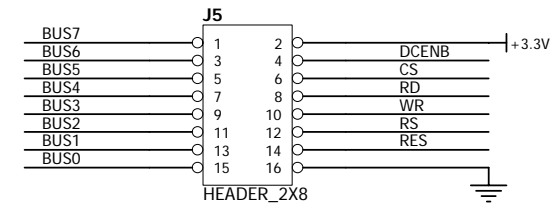
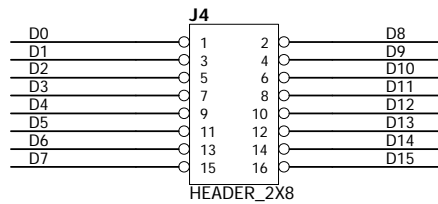
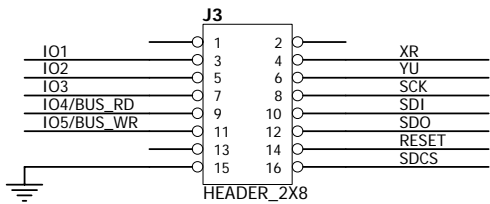
P1 Display Interface Headers



Power Access Point - Prototype Area



User Access Headers



Title		
Expansion Board for P1 Displays		
Size	Number	Revision
A4	P1-EB	
Date:	12-Mar-2009	Sheet of
File:	Y:\Projects\PICASO-PIGGYBACK\Hardware\DR\Expansion.DDB	