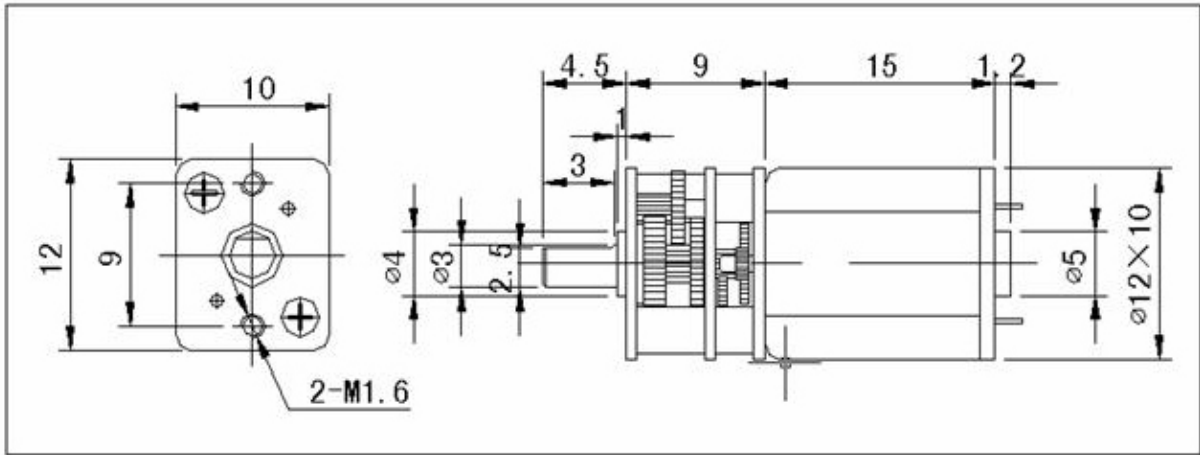


DIMENSIONS(Unit:Milimeter)



**Specifications:**

| VOTAGE<br>V | NO LOAD      |               | At Maximum Efficiency |               |                 |               | STALL           |               |
|-------------|--------------|---------------|-----------------------|---------------|-----------------|---------------|-----------------|---------------|
|             | Speed<br>RPM | Current<br>mA | Speed<br>RPM          | Current<br>mA | Topque<br>Kg.cm | Out put<br>mW | Topque<br>Kg.cm | Current<br>mA |
| 2.4         | 55           | 30            | 40                    | 350           | 0.7             | 280           | 3.0             | 500           |
| 6.0         | 70           | 70            | 52                    | 450           | 1.2             | 640           | 4.0             | 700           |