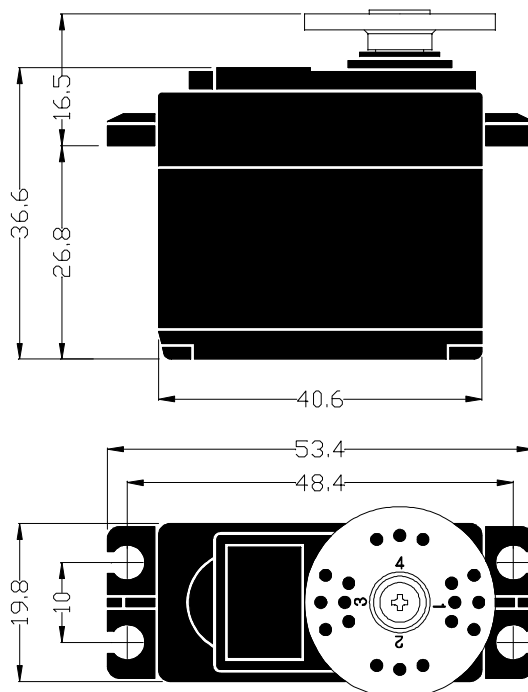


# GENERAL SPECIFICATION OF HSR-1425CR CONTINUE ROTATION SERVO

## 1. TECHNICAL VALUE

CONTROL SYSTEM	: +PULSE WIDTH CONTROL 1500usec NEUTRAL/20000usec FRAME
OPERATING VOLTAGE RANGE	: 4.8V TO 6.0V
OPERATING TEMPERATURE RANGE	: -20°C TO +60°C(-4°F TO +140°F)
TEST VOLTAGE	: AT 4.8V
OPERATING SPEED	: 43.4rpm±10%
STALL TORQUE	: 2.8kg.cm(38.88oz.in)
STANDING TORQUE	: NONE
IDLE CURRENT	: 7.7mA AT STOPPED
RUNNING CURRENT	: 150mA/NO LOAD RUNNING
STALL CURRENT	: 640mA
DEAD BAND WIDTH	: 5usec +/-20%
OPERATING TRAVEL	: CONTINUE ROTATION
NEUTRAL POSITION	: 1500usec +/- 50usec
DIRECTION	: CLOCK WISE/PULSE TRAVELING 1500 TO 1900usec
MOTOR TYPE	: CORED METAL BRUSH
POTENTIOMETER TYPE	: NON
AMPLIFIER TYPE	: ANALOG AMPLIFIER
DIMENSIONS	: 40.6x19.8x36.6mm(1.59x0.77x1.44in)
WEIGHT	: 41.7g WITH OUT SPLINED HORN
BALL BEARING	: DUAL BALL BEARING
GEAR MATERIAL	: POM RESIN
HORN GEAR SPLINE	: 24 SEGMENTS/φ5.76
SPLINED HORNS	: REGULAR/R-0
CONNECTOR WIRE LENGTH	: 300mm(11.81in)
CONNECTOR WIRE STRAND COUNTER	: 40EA
CONNECTOR WIRE GAUGE	: 25AWG



## 2. FEATURES

- 360° ROTATION
- DUAL BALL BEARING

## 3. APPLICATIONS

- ROBOTS