

錫麟企業有限公司 Sencera Co. Ltd.

Tel:886-2-27046595 Fax:886-2-27041279 Email:justinel@ms14.hinet.net
9F-5, No. 26, Sec. 3, Jen-Ai road, Taipei, Taiwan, ROC. <http://welcome.to/sencera>

AIR ULTRASONIC TRANSDUCERS

MODEL: UTT4012/UTR4012

1. Features

- High sensitivity, high sound pressure level, uniform in quality
- Excellent vibration and shock resistance.
- Big operation range.

2. Applications

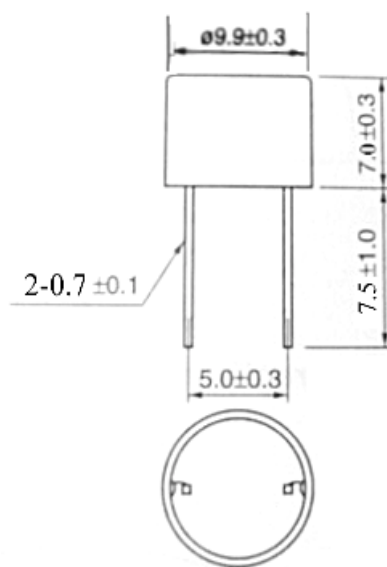
- Remote control of electronic appliance.
- Burglar alarm
- Level meter
- Sensor for counter



3. Ratings

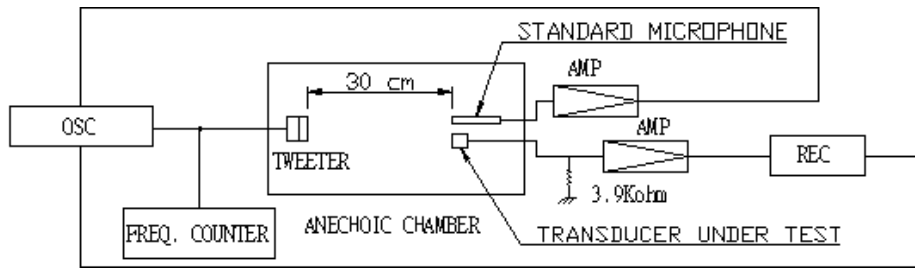
PARTS NUNBER	UTT4010	UTR4010
Center frequency (kHz)	40.0±1.0kHz	40.0±1.0kHz
Sound pressure level At 10V 30cm	≥ 100dB	-----
Sensitivity min.	-----	≤ -70dB
Capacitance (pF)	1700±30%	1700±30%
Housing material/mesh color	Aluminum/black	Aluminum/black

4. dimensions

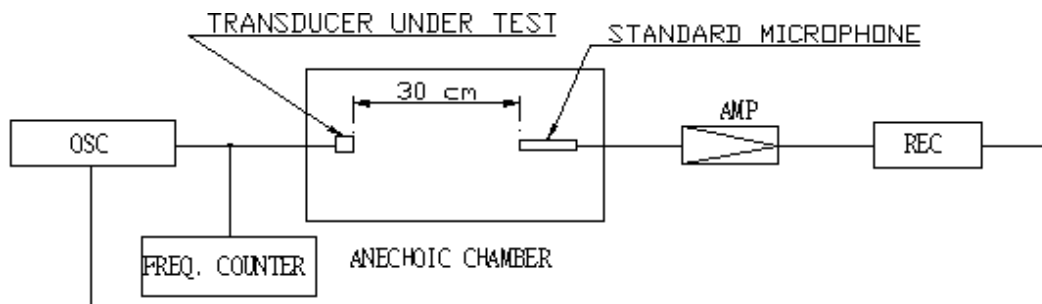


5. Test Circuits Diagram

a) Test Circuit Diagram for Receiving



b) Test Circuit Diagram for Transmitting



6. Environmental Characteristics

Item	Conditions	Variation of Sensitivity
Temperature Characteristics	-20~70°C	Within 10 dB
Humidity	40±2°C, 90 %RH, 2Hrs	Within 4 dB
Shock	50G impact Directions : 3 perpendicular directions Times : 3 times	Within 4 dB
Vibration	Directions : 3 perpendicular Directions Times : 1000 times Single harmonic vibration a) Amplitude: 1.5mm b) Sweep Frequency : 10-50-10Hz with interval of 1 minute	Within 4 dB