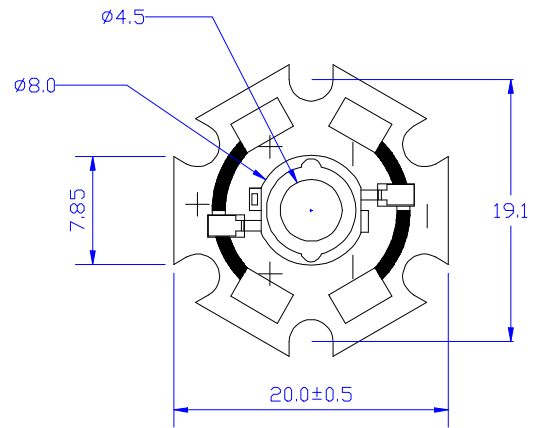


**Part No.: JLSL-3W-FS**

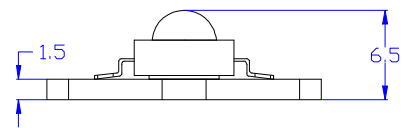
**Features:**

- Highest Flux
- High reliability and Very long operating life (up to 100K hours)
- Low voltage DC operated
- More Energy Efficient than Incandescent and most Halogen lamps
- NO UV
- Superior ESD protection



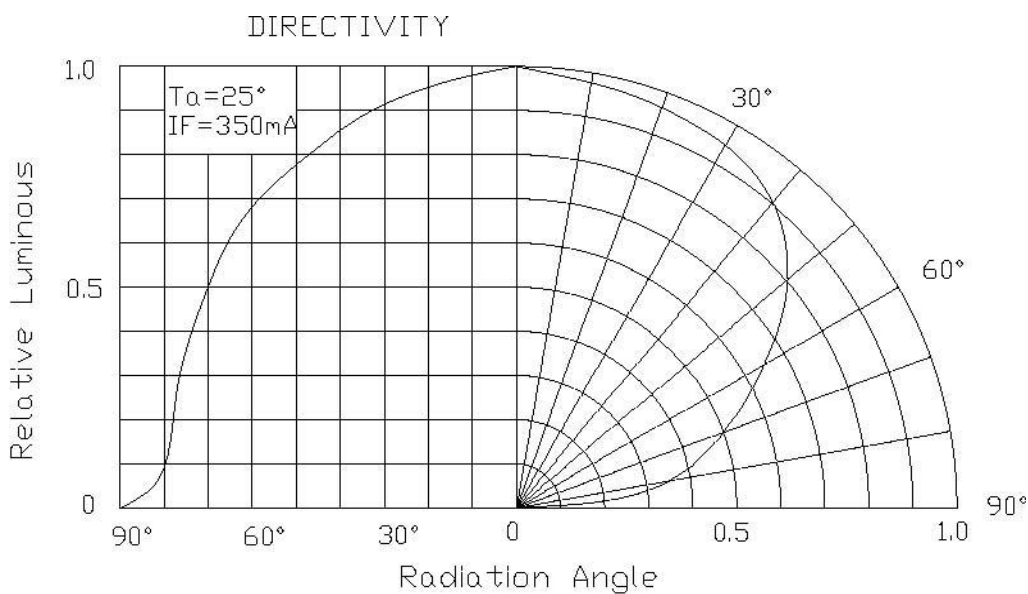
**Typical Applications:**

- Growing lights
- Vegetable Lighting



**NOTE:**

- All dimensions are millimeter.
- Tolerance is  $\pm 0.25\text{mm}$  unless otherwise noted



**Absolute maximum ratings (Ta = 25°C)**

Parameter	Symbol	Test Condition	Value		Unit
			Min.	Max.	
DC Forward Current	I <sub>F</sub>	----	----	700	mA
Peak Pulse Current	I <sub>peak</sub>	Duty=0.1, 1kHz	----	1000	mA
Power Dissipation	P <sub>d</sub>	----	----	3.0	W
LED Junction Temperature	T <sub>j</sub>	----	----	120	°C
Operating Temperature	T <sub>opr</sub>	----	-25	+100	°C
Storage Temperature	T <sub>str</sub>	----	-40	+120	°C
ESD Sensitivity	---	HBM	8000	----	V
Soldering Temperature	---	----	260°C for 5 Seconds max		

**Electrical and optical characteristics (Ta = 25°C)**

Parameter	Symbol	Test Condition	Value			Unit
			Min.	Typ.	Max.	
Forward Voltage	V <sub>F</sub>	I <sub>F</sub> = 700mA	3.0	----	3.6	V
Luminous Flux	Φ <sub>v</sub>	I <sub>F</sub> = 700mA	90	----	150	lm
Viewing Angle	2 θ 1/2	I <sub>F</sub> = 700mA	----	120	----	Deg.
Dominate Wavelength	λ <sub>d</sub>	I <sub>F</sub> = 700mA	400	----	850	nm

**Typical Electro-Optical Characteristics Curves**

