

HCPL2630 DUAL-CHANNEL OPTOCOUPLER/OPTOISOLATOR

SOOS010 D2969, NOVEMBER 1986

- Gallium Arsenide Phosphide LED Optically Coupled to an Integrated Circuit Detector
- Compatible with TTL and LSTTL Inputs
- Low Input Current Required for On-State Output . . . 5 mA Max
- High-Voltage Electrical Insulation . . . 3000 V DC Min
- High-Speed Switching . . . 75 ns Max
- Directly Interchangeable with Hewlett Packard HCPL2630
- UL Recognized . . . File Number E65085

description

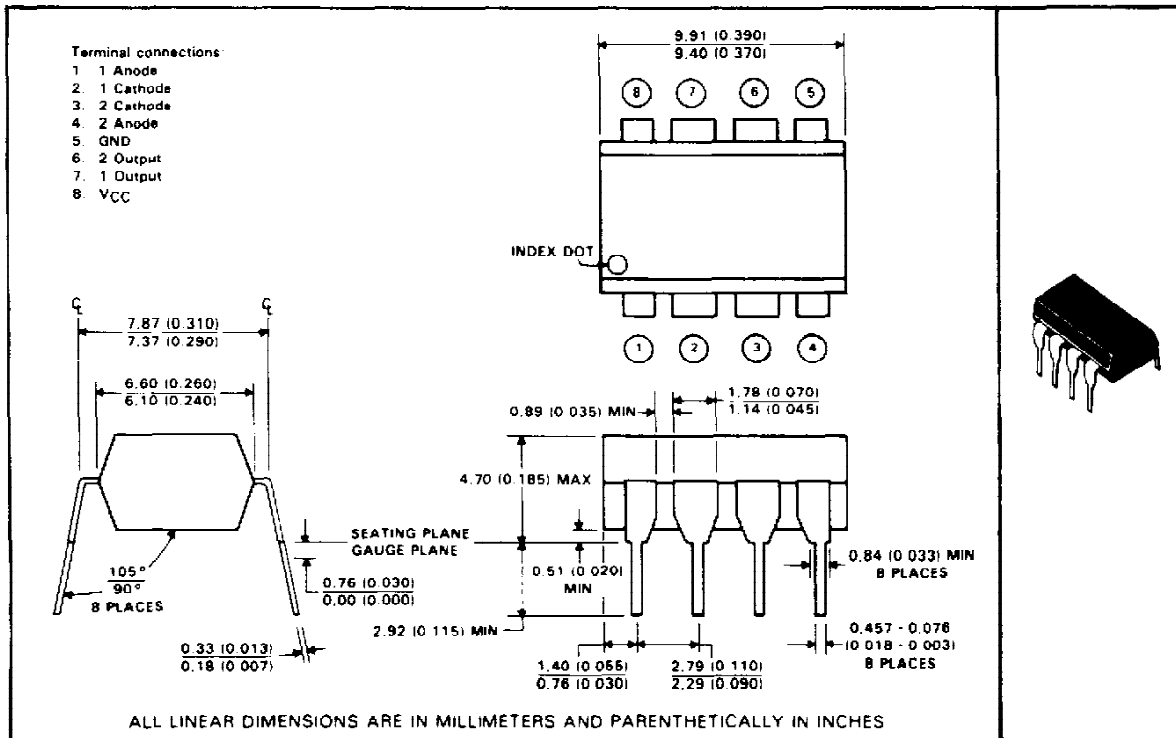
The HCPL2630 is a dual optocoupler designed for use in high-speed digital interfacing applications that require high-voltage isolation between the input and output. Applications include line receivers, microprocessors or computer interface, and other control systems.

Each channel of the HCPL2630 optocoupler consists of a GaAsP light-emitting diode and an integrated light detector composed of a photodiode, a high-gain amplifier, and a Schottky-clamped open-collector output transistor. An input diode forward current of 5 milliamperes will switch the output transistor low, providing an on-state drive current of 13 milliamperes (eight 1.6-milliampere TTL loads).

The device is mounted in a standard 8-pin dual-in-line plastic package.

The HCPL2630 is characterized for operation over the temperature range of 0°C to 70°C.

mechanical data



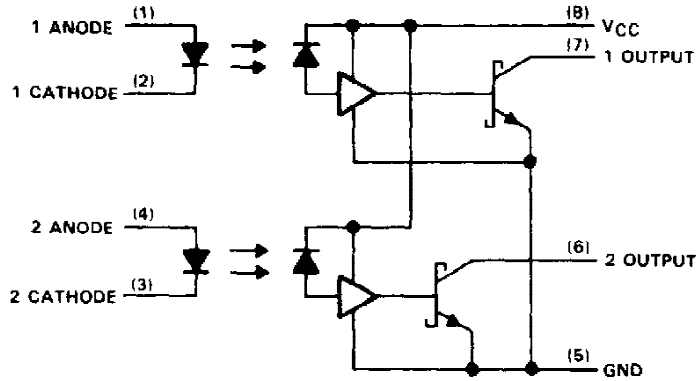
PRODUCTION DATA documents contain information current as of publication date. Products conform to specifications per the terms of Texas Instruments standard warranty. Production processing does not necessarily include testing of all parameters.

TEXAS INSTRUMENTS
 POST OFFICE BOX 655303 • DALLAS, TEXAS 75285

Copyright © 1986, Texas Instruments Incorporated

HCPL2630
DUAL-CHANNEL OPTOCOUPLER/OPTOISOLATOR

logic diagram (positive logic)



absolute maximum ratings over operating free-air temperature range (unless otherwise noted)

Supply voltage, VCC	7 V
Reverse input voltage	5 V
Output voltage	7 V
Peak forward input current, each channel (≤ 1 ms duration)	30 mA
Average forward input current, each channel	15 mA
Output current, each channel	16 mA
Output power dissipation	85 mW
Storage temperature range	-55°C to 125°C
Operating free-air temperature range	0°C to 70°C
Lead temperature 1,6 mm (1/16 inch) from case for 10 seconds	260°C

recommended operating conditions

		MIN	NOM	MAX	UNIT
VCC	Output supply voltage (see Note 1)	4.5	5	5.5	V
I _{F(on)}	Input forward current to turn output on	6.3	15		mA
I _{F(off)}	Input forward current to turn output off	0	250		μA
I _{OL}	Low-level (on-state) output current		13		mA
T _A	Operating free-air temperature	0	70		°C

NOTE 1: All voltage values are with respect to GND (pin 5).

HCPL2630
DUAL-CHANNEL OPTOCOUPLER/OPTOISOLATOR

electrical characteristics over recommended operating free-air temperature range (unless otherwise noted)

PARAMETER	TEST CONDITIONS	MIN	TYP [†]	MAX	UNIT
V _F	Input forward voltage I _F = 10 mA, T _A = 25°C		1.6	1.75	V
α _{VF}	Temperature coefficient of forward voltage I _F = 10 mA		-1.8		mV/°C
V _{BR}	Input reverse breakdown voltage I _R = 10 μA, T _A = 25°C	5			V
V _{OL}	Low-level output voltage V _{CC} = 5.5 V, I _F = 5 mA, I _{OL} = 13 mA		0.23	0.6	V
I _{OH}	High-level output current V _{CC} = 5.5 V, V _O = 5.5 V, I _F = 250 μA			250	μA
I _{CCH}	Supply current, high-level output V _{CC} = 5.5 V, I _F = 0		20	30	mA
I _{CCL}	Supply current, low-level output V _{CC} = 5.5 V, I _F = 10 mA		26	36	mA
I _{II}	Input-input insulation leakage current V _{II} = 500 V, t = 5 s, T _A = 25°C, RH = 45%, See Note 2		0.005		μA
I _{IO}	Input-output insulation leakage current V _{IO} = 3000 V, t = 5 s, T _A = 25°C, RH = 45%, See Note 1			1	μA
r _{II}	Input-input resistance V _{II} = 500 V, T _A = 25°C, See Note 2		10 ¹¹		Ω
r _{IO}	Input-output resistance V _{IO} = 500 V, T _A = 25°C, See Note 1		10 ¹²		Ω
C _i	Input capacitance V _F = 0, f = 1 MHz		60		pF
C _{ii}	Input input capacitance V _F = 0, f = 1 MHz		0.25		pF
C _{io}	Input-output capacitance f = 1 MHz, T _A = 25°C, See Note 1		0.6		pF

[†] All typical values are at V_{CC} = 5 V, T_A = 25°C.

NOTES 1. These parameters are measured between pins 1, 2, 3, and 4 shorted together and pins 5, 6, 7, and 8 shorted together.
2. These parameters are measured between pins 1 and 2 shorted together and pins 3 and 4 shorted together.

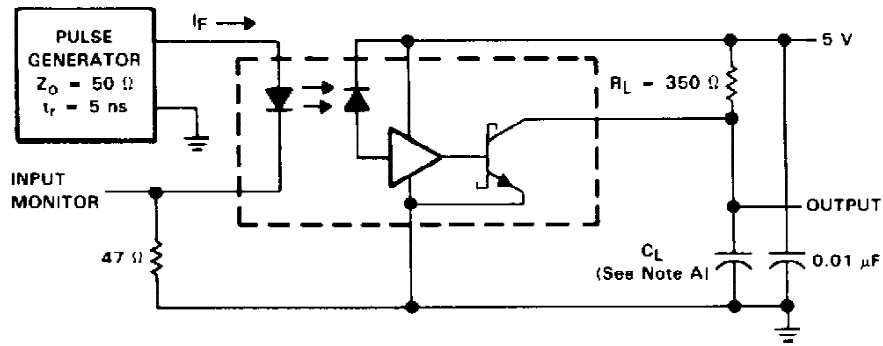
switching characteristics at V_{CC} = 5 V, T_A = 25°C

PARAMETER	TEST CONDITIONS	MIN	TYP	MAX	UNIT
t _{PLH}	Propagation delay time, low-to-high-level output, from LED input I _F = 7.5 mA, R _L = 350 Ω, C _L = 15 pF, See Figure 1		42	75	ns
t _{PHL}	Propagation delay time, high-to-low level output, from LED input I _F = 7.5 mA, R _L = 350 Ω, C _L = 15 pF, See Figure 1		42	75	ns
t _r	Rise time I _F = 7.5 mA, R _L = 350 Ω, C _L = 15 pF		20		ns
t _f	Fall time I _F = 7.5 mA, R _L = 350 Ω, C _L = 15 pF		30		ns
$\frac{dV_{CM}}{dt}$ (H)	Common-mode input transient immunity, high-level output ΔV _{CM} = 10 V, I _F = 0, R _L = 350 Ω, See Note 3 and Figure 2		50		V/μs
$\frac{dV_{CM}}{dt}$ (L)	Common-mode input transient immunity, low-level output ΔV _{CM} = -10 V, I _F = 5 mA, R _L = 350 Ω, See Note 3 and Figure 2		-150		V/μs

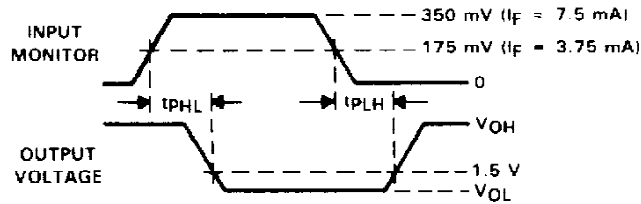
NOTE 3: Common-mode input transient immunity, high-level output, is the maximum rate of rise of the common-mode input voltage that does not cause the output voltage to drop below 2 V. Common-mode input transient immunity, low-level output, is the maximum rate of fall of the common-mode input voltage that does not cause the output voltage to rise above 0.8 V.

**HCPL2630
DUAL-CHANNEL OPTOCOUPLER/OPTOISOLATOR**

**PARAMETER MEASUREMENT INFORMATION
(EACH CHANNEL)**



TEST CIRCUIT



WAVEFORMS

NOTE A: C_L is approximately 15 pF , which includes probe and stray wiring capacitances.

FIGURE 1. t_{PLH} AND t_{PHL} FROM LED INPUT TEST CIRCUIT AND WAVEFORMS

HCPL2630
DUAL-CHANNEL OPTOCOUPLER/OPTOISOLATOR

PARAMETER MEASUREMENT INFORMATION
(EACH CHANNEL)

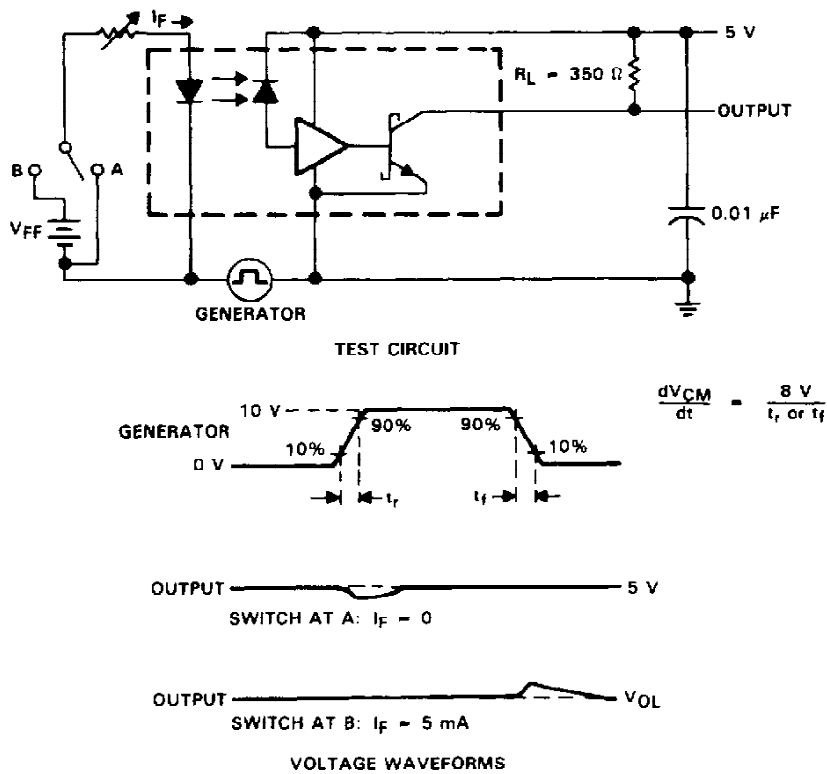


FIGURE 2. TRANSIENT IMMUNITY TEST CIRCUIT AND WAVEFORMS

TYPICAL APPLICATION INFORMATION

A ceramic capacitor (0.01 μ F to 0.1 μ F) should be connected between pins 8 and 5 to stabilize the high-gain amplifier. The total lead length between the capacitor and the optocoupler should not exceed 20 mm (0.8 inches). Failure to provide a bypass capacitor may result in impaired switching characteristics.

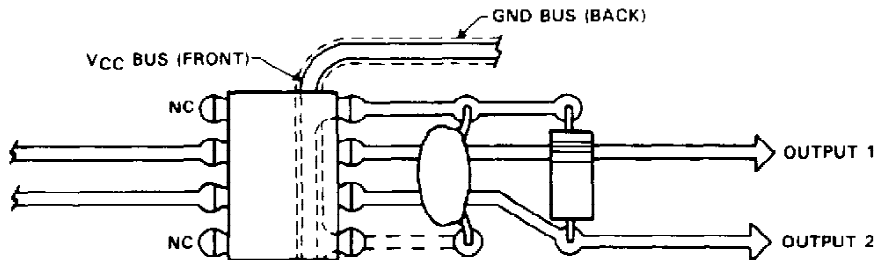


FIGURE 3. RECOMMENDED PRINTED CIRCUIT BOARD LAYOUT

HCPL263D
DUAL-CHANNEL OPTOCOUPLER/OPTOISOLATOR

TYPICAL CHARACTERISTICS

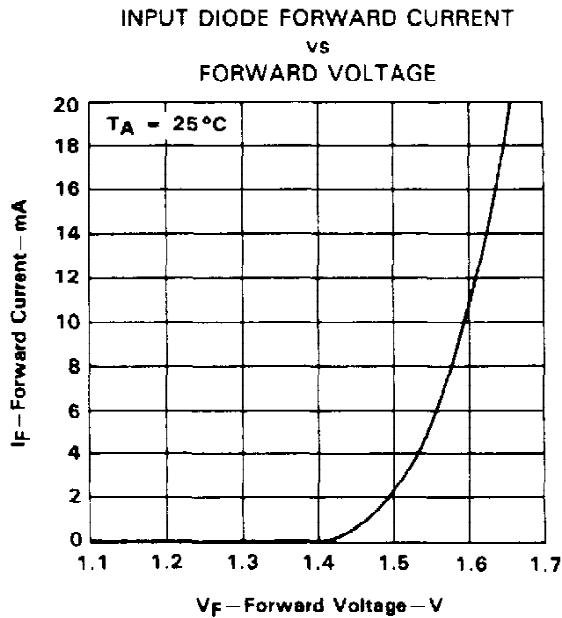


FIGURE 4

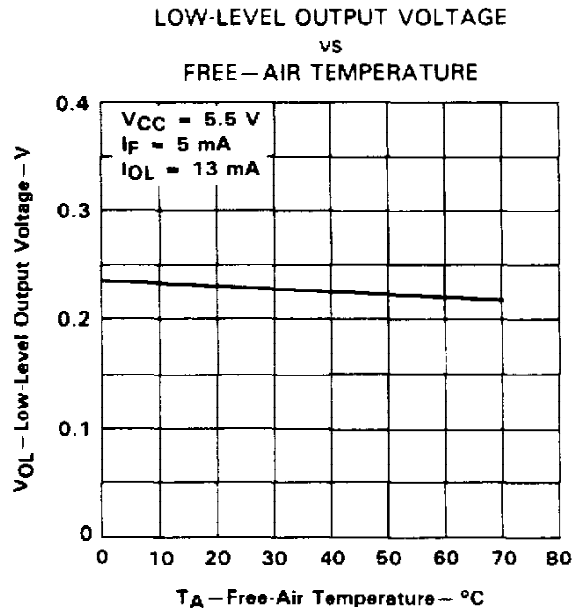


FIGURE 5

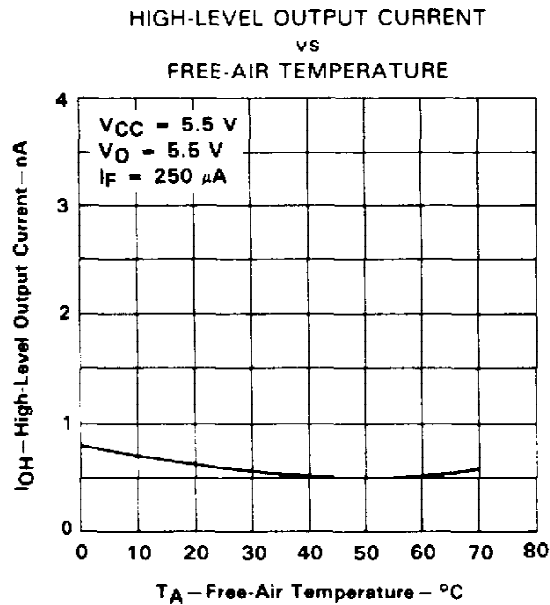


FIGURE 6

HCPL2630
DUAL-CHANNEL OPTOCOUPLER/OPTOISOLATOR

TYPICAL CHARACTERISTICS

PROPAGATION DELAY TIME FROM LED INPUT
vs
PULSE FORWARD CURRENT

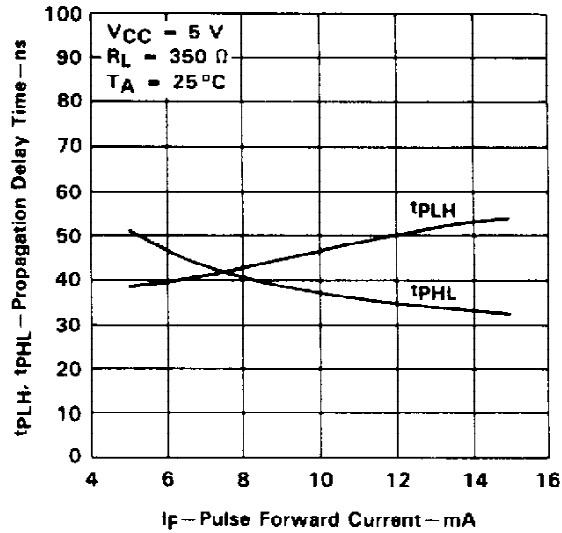


FIGURE 7

PROPAGATION DELAY TIME FROM LED INPUT
vs
LOAD RESISTANCE

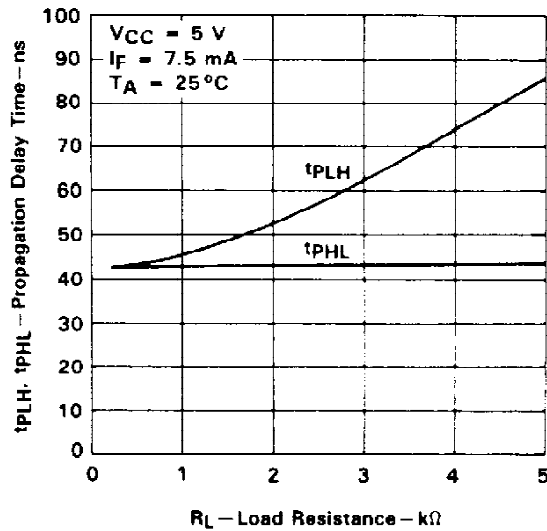


FIGURE 8

IMPORTANT NOTICE

Texas Instruments (TI) reserves the right to make changes to its products or to discontinue any semiconductor product or service without notice, and advises its customers to obtain the latest version of relevant information to verify, before placing orders, that the information being relied on is current.

TI warrants performance of its semiconductor products and related software to the specifications applicable at the time of sale in accordance with TI's standard warranty. Testing and other quality control techniques are utilized to the extent TI deems necessary to support this warranty. Specific testing of all parameters of each device is not necessarily performed, except those mandated by government requirements.

Certain applications using semiconductor products may involve potential risks of death, personal injury, or severe property or environmental damage ("Critical Applications").

TI SEMICONDUCTOR PRODUCTS ARE NOT DESIGNED, INTENDED, AUTHORIZED, OR WARRANTED TO BE SUITABLE FOR USE IN LIFE-SUPPORT APPLICATIONS, DEVICES OR SYSTEMS OR OTHER CRITICAL APPLICATIONS.

Inclusion of TI products in such applications is understood to be fully at the risk of the customer. Use of TI products in such applications requires the written approval of an appropriate TI officer. Questions concerning potential risk applications should be directed to TI through a local SC sales office.

In order to minimize risks associated with the customer's applications, adequate design and operating safeguards should be provided by the customer to minimize inherent or procedural hazards.

TI assumes no liability for applications assistance, customer product design, software performance, or infringement of patents or services described herein. Nor does TI warrant or represent that any license, either express or implied, is granted under any patent right, copyright, mask work right, or other intellectual property right of TI covering or relating to any combination, machine, or process in which such semiconductor products or services might be or are used.

IMPORTANT NOTICE

Texas Instruments and its subsidiaries (TI) reserve the right to make changes to their products or to discontinue any product or service without notice, and advise customers to obtain the latest version of relevant information to verify, before placing orders, that information being relied on is current and complete. All products are sold subject to the terms and conditions of sale supplied at the time of order acknowledgment, including those pertaining to warranty, patent infringement, and limitation of liability.

TI warrants performance of its products to the specifications applicable at the time of sale in accordance with TI's standard warranty. Testing and other quality control techniques are utilized to the extent TI deems necessary to support this warranty. Specific testing of all parameters of each device is not necessarily performed, except those mandated by government requirements.

Customers are responsible for their applications using TI components.

In order to minimize risks associated with the customer's applications, adequate design and operating safeguards must be provided by the customer to minimize inherent or procedural hazards.

TI assumes no liability for applications assistance or customer product design. TI does not warrant or represent that any license, either express or implied, is granted under any patent right, copyright, mask work right, or other intellectual property right of TI covering or relating to any combination, machine, or process in which such products or services might be or are used. TI's publication of information regarding any third party's products or services does not constitute TI's approval, license, warranty or endorsement thereof.

Reproduction of information in TI data books or data sheets is permissible only if reproduction is without alteration and is accompanied by all associated warranties, conditions, limitations and notices. Representation or reproduction of this information with alteration voids all warranties provided for an associated TI product or service, is an unfair and deceptive business practice, and TI is not responsible nor liable for any such use.

Resale of TI's products or services with statements different from or beyond the parameters stated by TI for that product or service voids all express and any implied warranties for the associated TI product or service, is an unfair and deceptive business practice, and TI is not responsible nor liable for any such use.

Also see: [Standard Terms and Conditions of Sale for Semiconductor Products](http://www.ti.com/sc/docs/stdterms.htm). www.ti.com/sc/docs/stdterms.htm

Mailing Address:

Texas Instruments
Post Office Box 655303
Dallas, Texas 75265