



慈溪市万捷电子有限公司

CIXI WANJIE ELECTRONIC CO., LTD

产品规格书
product specification

电气性能/Electrical

参考标准/Standard: UL IEC
 额定电压/Rated voltage: 300V 320V
 额定电流/Rated current: 10A 20A
 接触电阻/Contact resistance: 20m Ω
 耐电压/Withstanding voltage: AC2000V/1Min
 绝缘电阻/Insulation resistance: 500M Ω /DC1000V

机械性能/Mechanical

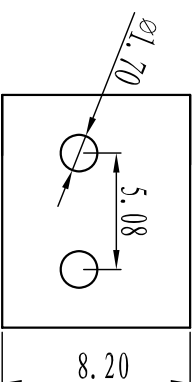
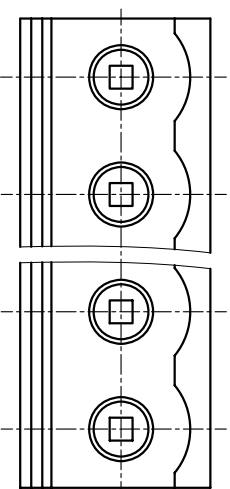
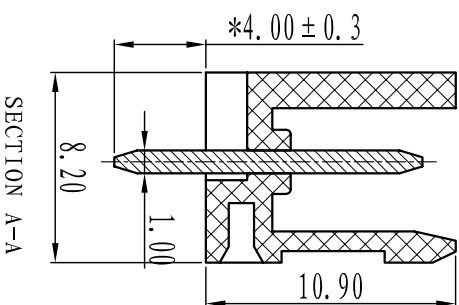
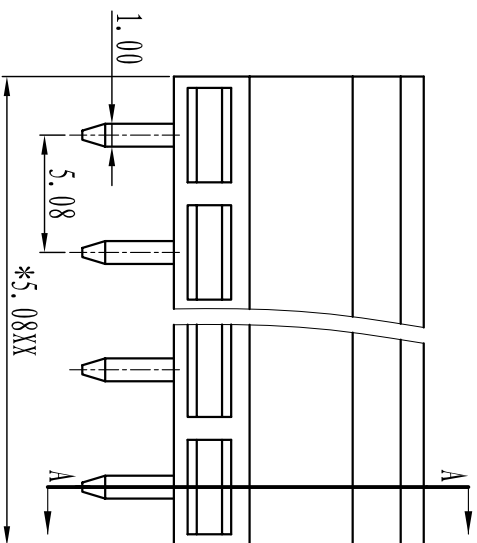
温度范围/Temp.Range: -40 $^{\circ}$ C $^{+}$ 105 $^{\circ}$ C
 瞬间温度/MAX Soldering: +250 $^{\circ}$ C, for 5 Sec

尺寸/Dimensions

间距/Pitch: 5.08mm
 极数/Poles: 2P-24P

材料及电镀/Material

塑件/Housing: PA66, UL94V-0
 焊针/Pin header: Brass, Tin plated



订购方式：
HOW TO ORDER

型号/Model
 极数/POLE
 0 未定义/No definition
 客户需求/Client Request

上表面镀锡/Sing pin
 蓝色/Grey 10
 绿色/Green 40
 透明/Transparent 70

下表面镀锡/Bowle pin
 蓝色/Slate 20
 棕色/Orange 50
 黄色/Yellow 80

2 交叉/交叉/2x1
 黑色/Black 30
 红色/Red 60
 白色/White 90

TOLERANCES EXCEPT AS NOTED

	linear dimension	fillet	chamfer	short angle sid	≡	—	□	//	⊥
variable range	over 6 to 30	over 30 to 120	over 120 to 480	all to 6	over 6 to 10	over 10 to 50	over 50 to 120	all to 5	over 5 to 30
tolerance	±0.1	±0.2	±0.3	±0.5	±0.9	±0.2	±0.5	±1	1 $^{\circ}$
	over 6 to 30	over 30 to 120	over 120 to 480	all to 6	over 6 to 10	over 10 to 50	over 50 to 120	all to 5	over 5 to 30
	±0.1	±0.2	±0.3	±0.5	±0.9	±0.2	±0.5	±1	1 $^{\circ}$
	over 6 to 30	over 30 to 120	over 120 to 480	all to 6	over 6 to 10	over 10 to 50	over 50 to 120	all to 5	over 5 to 30
	±0.1	±0.2	±0.3	±0.5	±0.9	±0.2	±0.5	±1	1 $^{\circ}$

第一视角/FIRST ANGLE PROJECTION



单位/UNITS	尺寸/SIZE	A4	比例/SCALE
mm			

慈溪市万捷电子有限公司
CIXI WANJIE ELECTRONIC CO., LTD

名称/NAME
HT508V-5.08-XP-1Y-00A