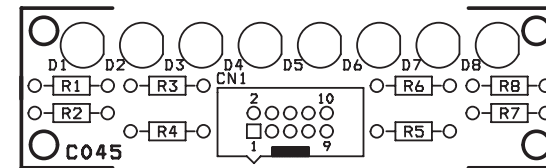
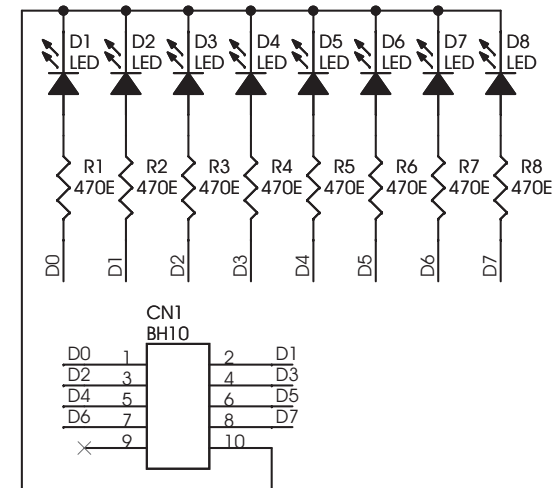
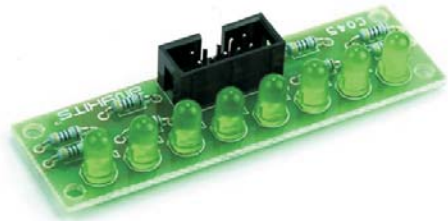


# C045 8 LED OUTPUT BOARD - SOURCE

This simple 8 LED Output Board - Source, offers a convenient way to monitor or display output of various I/O pins for your project.

- Interfacing is via 10-pin Box Header connector
- Four mounting holes 3.2 mm each
- PCB dimensions 75 mm x 23 mm



SR.	QTY.	REF.	DESCRIPTION
1	1	CN1	10 PIN BOX HEADER CONNECTOR
2	8	D1,D2,D3,D4,D5,D6,D7,D8	GREEN LED
3	8	R1,R2,R3,R4,R5,R6,R7,R8	470E

