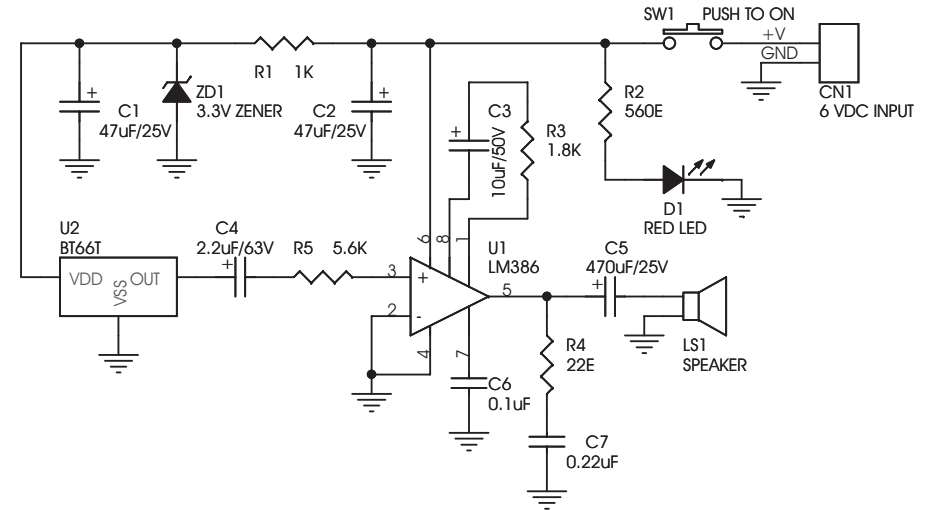


B005 3 TONE MUSICAL BELL

3 Tone Musical Bell is a kit built around BT66T (UM66) IC driving LM386 audio amplifier to give that extra punch.

- Input - 6 VDC @ 200 mA
- Output 8 Ohms 0.5W Speaker
- Terminal pins for supply voltage and speaker connection
- Power-On LED indicator
- Onboard push to ON switch
- Four mounting holes of 3.2 mm each
- PCB dimensions 35 mm x 54 mm



SR.	QTY.	REF.	DESCRIPTION
1	1	CN1	2 PCB PIN
2	2	C1,C2	47uF/25V
3	1	C3	10uF/50V OR 63V
4	1	C4	2.2uF/63V
5	1	C5	470uF/25V
6	1	C6	0.1uF
7	1	C7	0.22uF
8	1	D1	RED LED
9	1	LS1	2 PCB PIN
10	1	R1	1K
11	1	R2	560E
12	1	R3	1.8K
13	1	R4	22E
14	1	R5	5.6K
15	1	SW1	TACT SWITCH
16	1	U1	LM386
17	1	U2	BT66T
18	1	ZD1	3.3V ZENER DIODE
19	1	SOCKET	8 PIN DIP IC SOCKET

CN1 - DC Supply Input
 LS1 - Speaker Output
 SW1 - Tactile Switch (Push to ON)
 D1 - Power-ON LED Indicator

