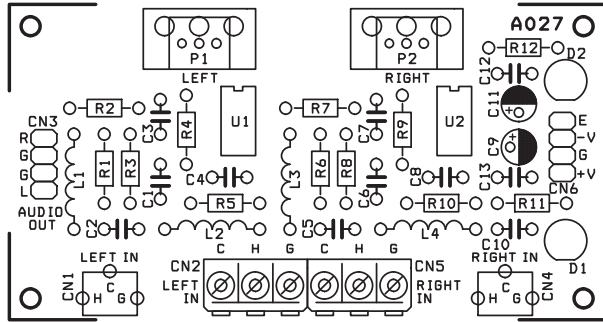


A027 BALANCED AUDIO PREAMPLIFIER/BUFFER

Simple tiny high quality low noise Balance preamplifier/buffer designed around op-amp. This kit can be use as balance to unbalance converter with audio level adjust on board. Work with +/-15V dual DC supply @ 100 mA also provided screw terminal for Euro balance audio input connector. Onboard two LED for supply indication. RFI filter (Inductor) in input. Kit also can be use with our 20W+20W audio amplifier A025.

- XLR connectors for stereo audio input
- Screw terminal for Euro Balance audio input standard
- Onboard dual power indicator
- Supply dual 15 VDC @ 100 mA
- Berg connector for supply input
- Berg connector for audio output
- Potentiometer for audio level adjust
- Gain 1:2 also can be change by changing feedback resistor value
- Four mounting holes of 3.2 mm each
- PCB dimensions 88 mm x 47 mm



SR.	QTY.	REFERENCE	DESCRIPTION
1	2	CN1,CN4	3 PIN RIGHT ANGLE XLR-F
2	2	CN2,CN5	3 PIN SCREW TERMINAL CONNECTOR
3	2	CN3,CN6	4 PIN BERG CONNECTOR
4	8	C1,C2,C3,C4,C5,C6,C7,C8	470pF
5	2	C9,C11	100uF/25V
6	3	C10,C12,C13	0.1uF
7	2	D1,D2	RED LED
8	4	L1,L2,L3,L4	4.7uH OR 3.3uH
9	2	P1,P2	10K POTENTIOMETER
10	8	R1,R3,R4,R5,R6,R8,R9,R10	4.7K
11	2	R2,R7	500E
12	2	R11,R12	2.2K
13	2	U1,U2	BA4560/NJM4560
14	2	SOCKET	8 PIN DIP IC SOCKET

