

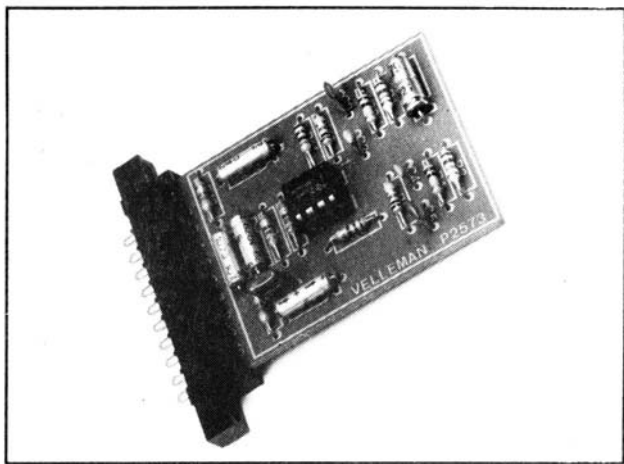
velleman-**kit**

HIGH-Q



STEREO RIAA CORRECTION PREAMPLIFIER K2573

- Amplification (1KHz) : 35dB (56x)
- Input impedance : 47Kohm
- RIAA correction
- Power supply : 10 - 30V DC regulated
- Supply current : typ. 5mA



STEREO RIAA CORRECTOR AMPLIFIER

In addition to the universal preamp K 2572, this kit is used as an RIAA stereo preamp, completely compatible with the first named.

Its duty is to bring the signals of a magnetic cell to a level for a next amplification.

Technical data :

- Power supply : 10 through 30 V DC, stabilized
- Supply current : typ. 5mA
- Amplification (1 KHz) : 35 dB
- Input impedance : 47 K
- RIAA curve
- Input signal : 5 to 10 mV

Construction :

- Mount R1, 22 K resistor (red-red-orange)
 - Mount R2, 100 K resistor (brown-black-yellow)
 - Mount R3, 22 K resistor (red-red-orange)
 - Mount R4, 100 K resistor (brown-black-yellow)
 - Mount R5, 1 Meg resistor (brown-black-green)
 - Mount R6, 2K2 resistor (red-red-red)
 - Mount R7, 47 K resistor (yellow-violet-orange)
 - Mount R8, 3K3 resistor (orange-orange-red)
 - Mount R9, 3K3 resistor (orange-orange-red)
 - Mount R10, 47 K resistor (yellow-violet-orange)
 - Mount R11, 2K2 resistor (red-red-red)
 - Mount R12, 1 Meg resistor (brown-black-green)
 - Mount C1, electrolytic condenser of 10 μ F
 - Mount C2, ceramic condenser of 3n3
 - Mount C3, ceramic condenser of 680 pF
 - Mount C4, ceramic condenser of 680 pF
 - Mount C5, ceramic condenser of 3n3
 - Mount C6, C7, C8 and C10, electrolytic condensers of 1 μ F
- Look for correct polarity when mounting all electrolytics.
- Mount C9, Sibatic condenser of 100 nF
 - Mount IC socket where marked "IC1"
 - Mount the 8-pins integrated circuit on its socket by turning the notch in the good direction.

Usage :

Ten (10) connections are provided on the p.c.b. to connect the print with the outer world. These connections are identical to those of the universal preamp K2572 so you can interchange both prints when using the included connector :

1. - ground
2. - OUT left
3. - ground
4. - IN left
5. - ground (power supply)
6. - PLUS (power supply)
7. - IN right
8. - ground
9. - OUT right
10. - ground

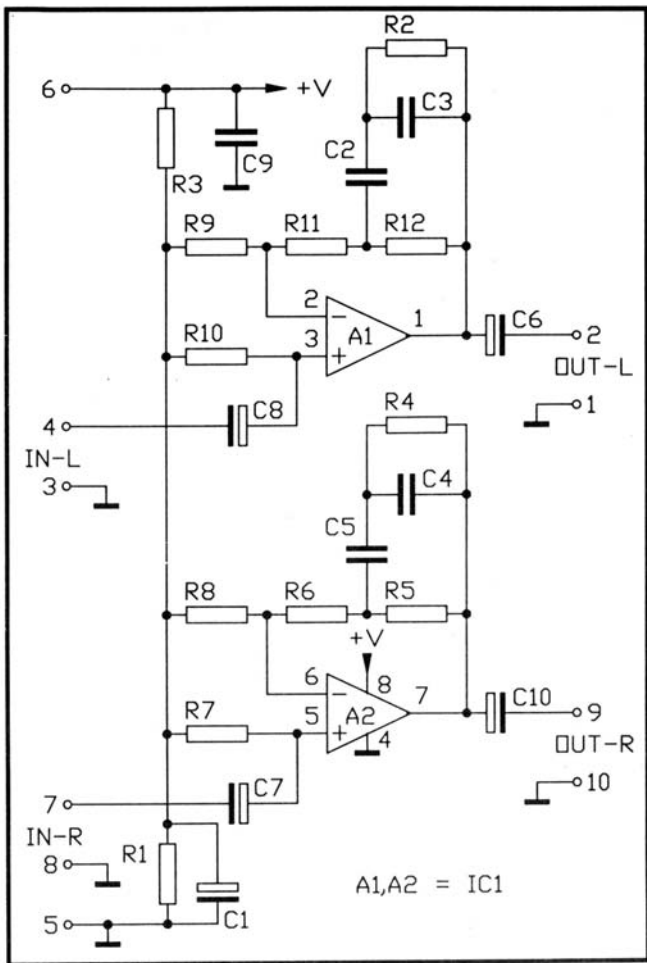
The grounds connections near the INs and OUTs are for the shield of the connecting leads.

As current consumption is very low, voltage can be taken from any well-stabilized power supply of 10 through 30 V DC.

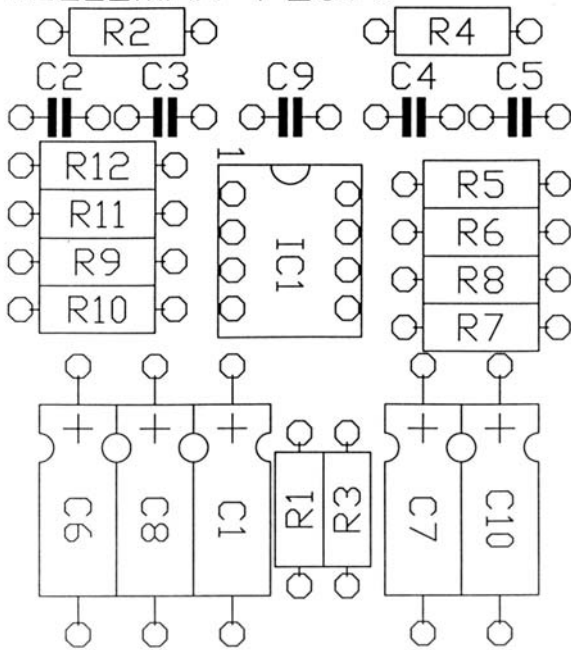
Remarks :

A non well stabilized power supply will give noise and hum. The leads coming from and going to the print must be as short as possible and make use of screened wires only.

Never place the preamp in the vicinity of transformers or net.



VELLEMAN P2573



1 2 3 4 5 6 7 8 9 10