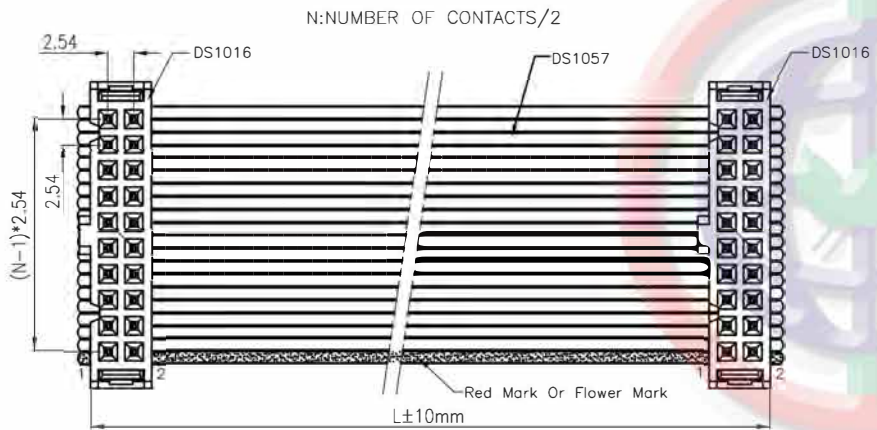


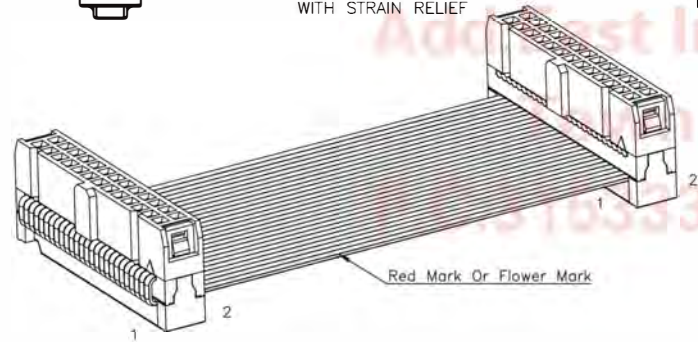
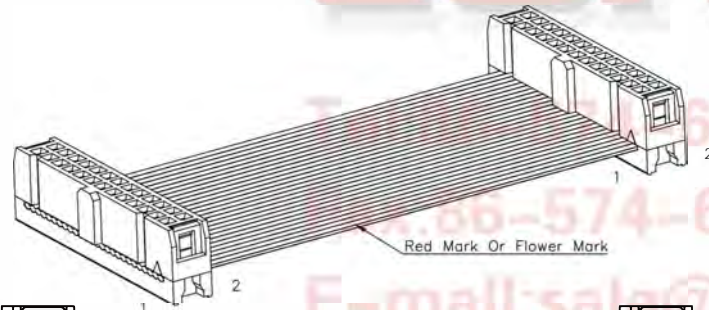
REV.	DESCRIPTION	DRAWN	CHECKED	APPROVED
A	NEW RELEASE	YCH 06/12/07'	~	LJC 06/12/07'
B	增加端子电镀全镀选项	YCH 11/11/08'	~	LJC 11/11/08'
C	增加胶芯颜色"灰"代码	YCH 07/14/10'	~	LJC 07/14/10'
D	更改线长代码	YCH 06/28/13'	~	



1. PRODUCT NUMBER CODE:

DS1052 -XX 2 B X X A X X X

- CABLE STYLE
- 1: TYPE 1
- LENGTH DIM L
- 0072:72mm 0262:262mm 0150:150mm
- 0100:100mm 0432:432mm 1130:1130mm
- 0171:171mm 0412:412mm 1480:1480mm
- 0200:200mm 0037:37mm 0216:216mm
- 0210:210mm 0112:112mm 0080:80mm
- 0300:300mm 0182:182mm 0120:120mm
- 0610:610mm 0362:362mm 0220:220mm
- 0700:700mm 0422:422mm 1000:1000mm
- 0920:920mm 0350:350mm 5000:5000mm
- 0254:254mm 0085:85mm
- 0290:290mm 0070:70mm
- WIRE DIAMETER
- 1:∅.100 FOLWER MARK
- 2:∅.127 RED MARK
- 3:∅.100 RED MARK
- 4:∅.127 FOLWER MARK
- FLAT CABLE COLOR
- A: GRAY S: DARK GREY
- STRAIN RELIEF
- M: W/
- N: W/O
- CONTACT PLATING
- 2: GOLD+NICKEL
- N: NICKEL
- HOUSING COLOR
- A:GRAY
- B:BLACK
- CONNECTOR Q'TY
- 2: 2 CONNECTOR (2PCS DS1016)
- NO.OF CONTACTS
- 10:10P 30:30P 20:20P 50:50P
- 14:14P 34:34P 24:24P 60:60P
- 16:16P 40:40P 26:26P 64:64P



3508787
86-574-63510817
E-mail:sale@connfly.com
http://www.connfly.com
Add: East Industry Zone KuangYan
Cixi Ningbo China

GENERAL TOLERANCE		ANGLE TOLERANCE	
X.	±15	X.	±3'
.X	±10	.X	±2'
.XX	±5	.XX	±1'
DRAWING TYPE		CUSTOMER	
SCALE	1:1	SHEET	1 OF 1
DRAWING NO.	C-DS1052-XX2XXXXXX1		

PROJECTION	TITLE
UNITS	DS1052 (2*DS1016)
SHEET SIZE	SERIES DS1052 SERIES

 晨翔电子有限公司
CONNFLY CONNFLY ELECTRONIC CO. LTD