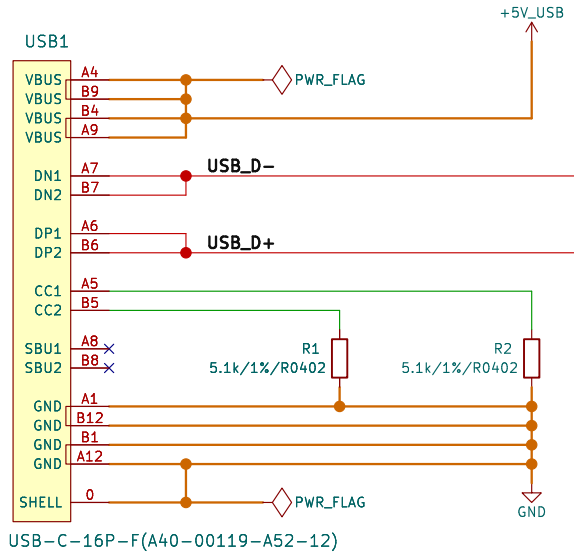
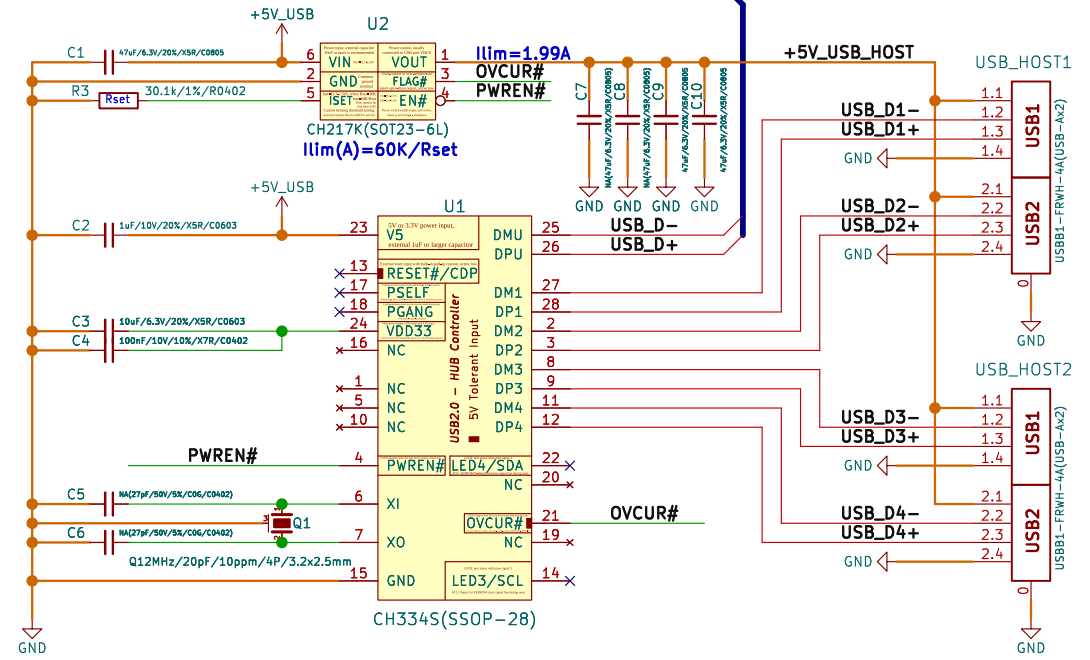


USB



USB-HUB

{USB-BUS}



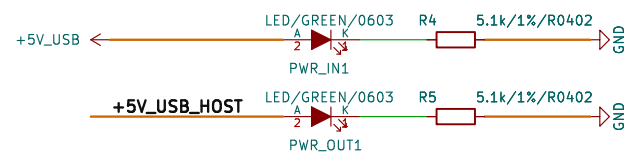
Mounting Holes



Fiducials



Power Leds



www.olimex.com	
OLIMEX LTD.	
Sheet: /	
File: USB-NeoHUB_Rev_A.kicad_sch	
Title: USB-NeoHUB	
Size: A4	Date: 2024-01-26
KiCad E.D.A. kicad 7.0.10-7.0.10-ubuntu22.04.1	Rev: A
	Id: 1/1