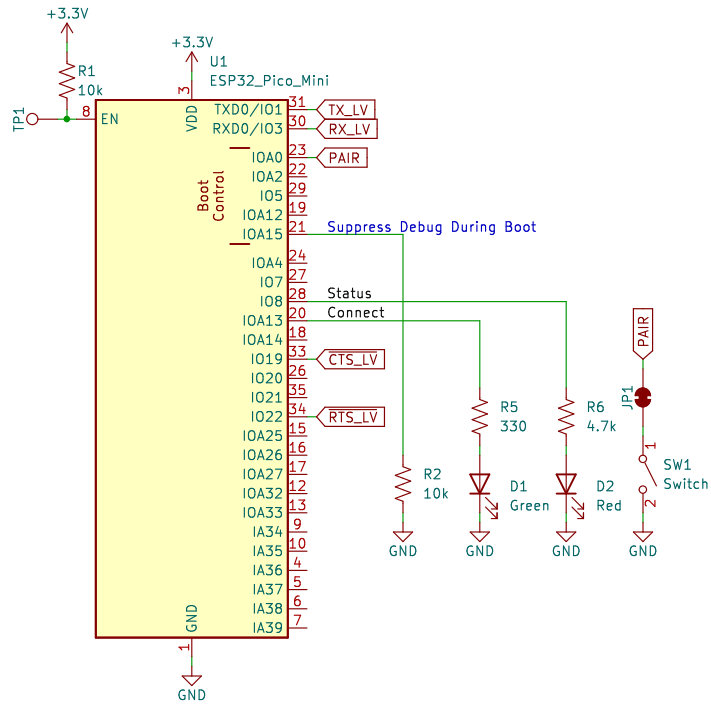
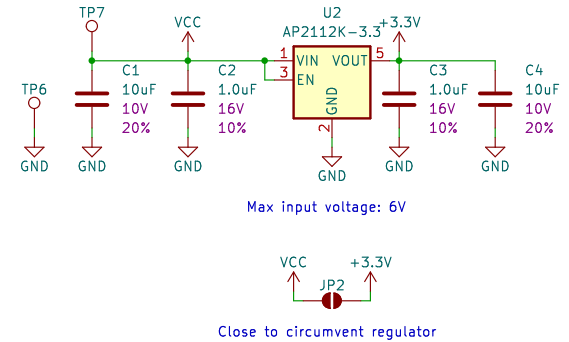


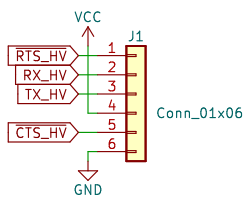
## ESP32 Pico Mini



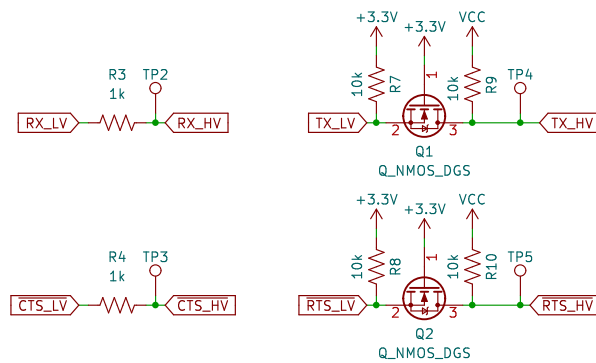
## Voltage Regulation



## Connector



## Level Translation



Designed by: N. Seidle

Sheet: /  
File: SparkFun\_BlueSMiRF-v2.kicad\_sch

[Ordering Instructions](#)

**Title: SparkFun BlueSMiRF v2**

Size: USLetter | Date: 2023-07-29  
KiCad E.D.A. eeschema 7.0.7

Rev: v11  
Id: 1/1