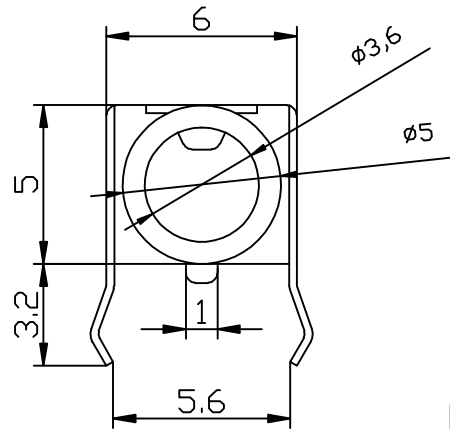
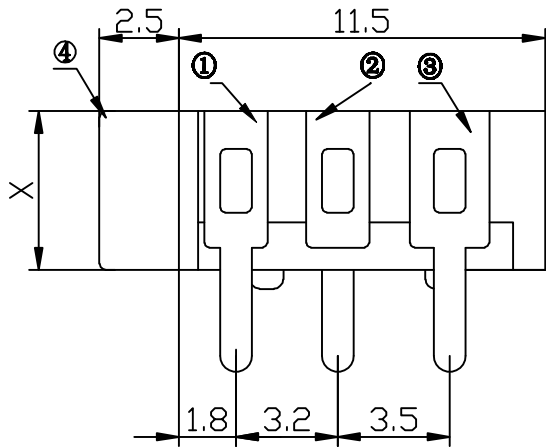
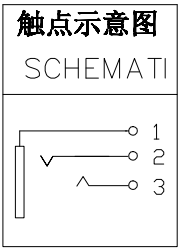
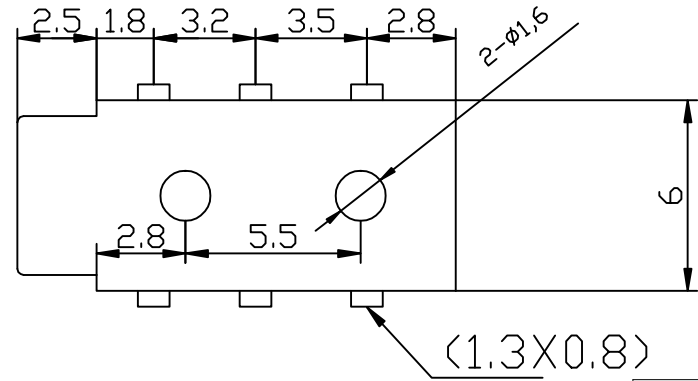


**Specifications:**

1. Contact resistance: <math><30\text{ m}\Omega</math>
2. Insulation resistance: >100 M $\Omega$
3. Withstand voltage: AC 500 V for 1 minute without arcing or breakdown
4. Service life: 5000 cycles, 10 – 20 cycles/min
5. Rated load: DC 30 V / 0.5 A
6. Operating temperature range: -20~70°C



序号	名称	材料	镀层/颜色	备注
1	1号弹片	磷铜	镀银	
2	2号弹片	磷铜	镀银	
3	3号弹片	磷铜	镀银	
4	基座	PBT	黑色	

new		2015/5/3		A		瀚源
ECN BO.		DESCRIPTION.		DATE.		
DESIGNED	CHECKED	APPROVAL	DRAWING NUMBER	SCALT: 1/2		SCALE: 3:1
Mikey	Tim	Jerry	PART NAME	PJ-313B	UNLESS OTHERWISE SPECIFIED, TOLERANCE:	X.           ±0.25
			MODEL NAME	PJ-313B		X.x          ±0.20
			3RD ANGLE PROJ	HanElectricity Co.,LTD		
			FILE.NO.			