

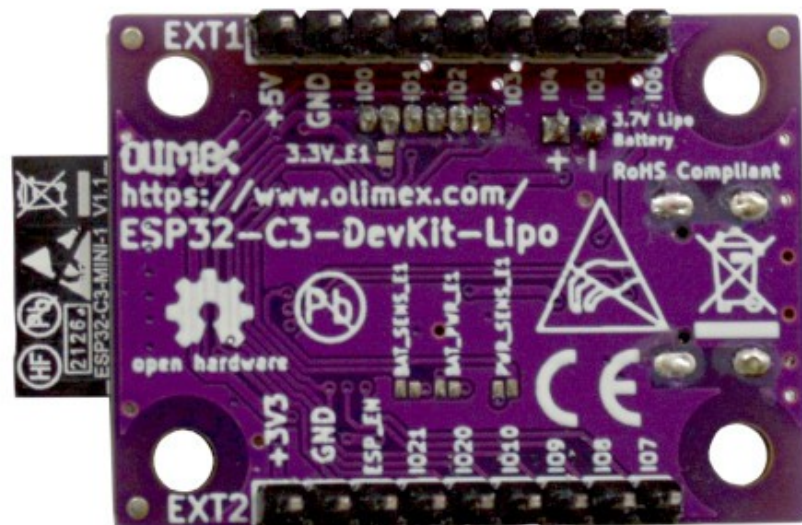
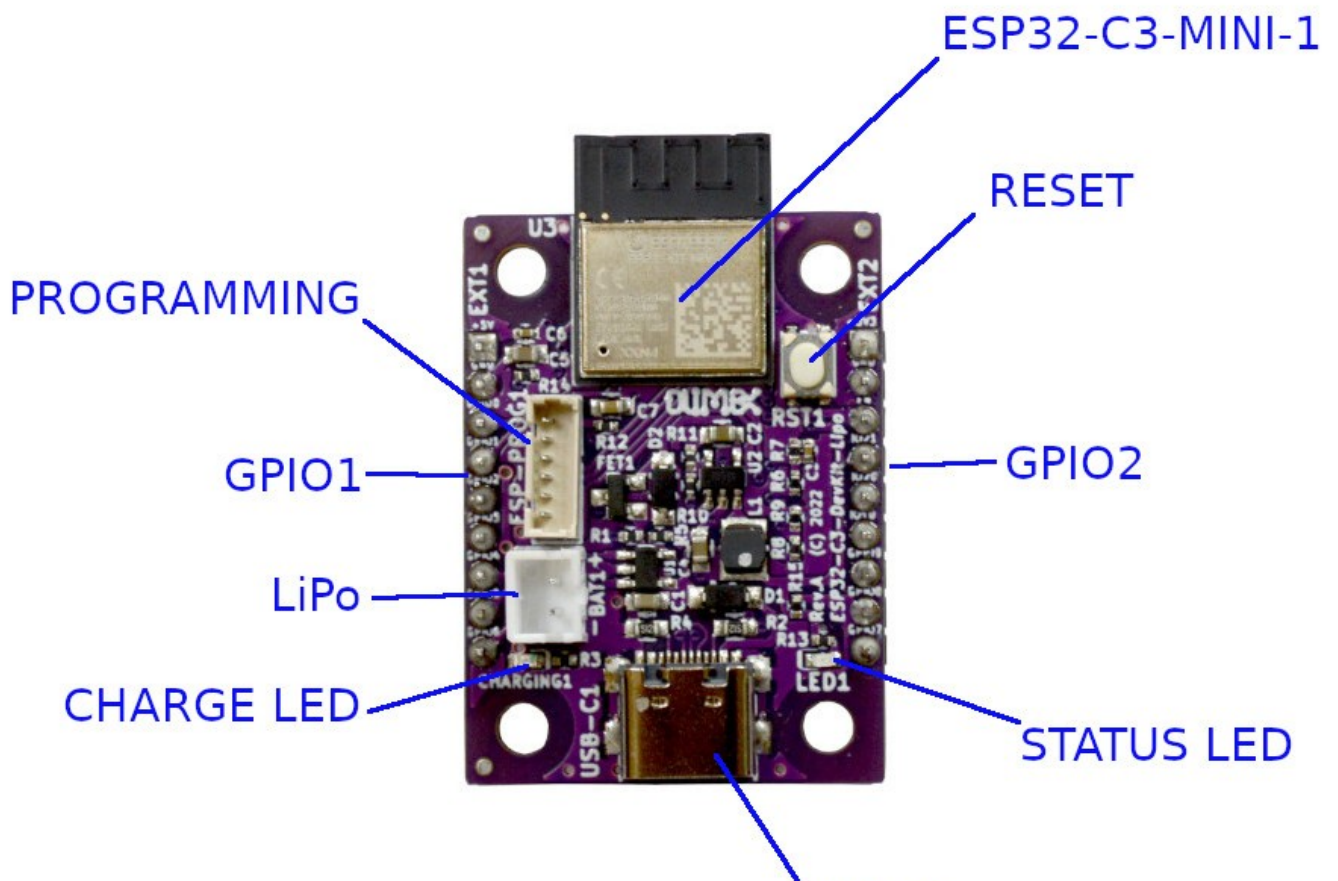
Table of Contents

What is ESP32-C3-DevKit-Lipo.....	3
ESP32-C3-DevKit-Lipo ordering options.....	5
ESP32-C3-DevKit-Lipo Open Source Licensee.....	6
ESP32-C3-DevKit-Lipo software installation.....	7
ESP32-C3-DevKit-Lipo pinout description:.....	8
ESP32-C3-DevKit-Lipo power supply and consumption.....	9
ESP32-C3-DevKit-Lipo dimensions.....	10
ESP32-C3-DevKit-Lipo schematic.....	11
ESP32-C3-DevKit-Lipo schematic on GitHub.....	11
Revision History.....	12

What is ESP32-C3-DevKit-Lipo

ESP32-C3-DevKit-Lipo is Open Source Hardware Industrial grade -25+85°C development board with:

- ESP32-C3 RISC-V single core processor running on 160 Mhz
- 384 KB ROM, 400 KB SRAM (16 KB for cache), 8 KB SRAM in RTC
- 4 MB embedded flash
- 2.4 GHz WiFi (802.11 b/g/n) 1T1R mode with data rate up to 150 Mbps
- Bluetooth® 5 module
- 15 GPIOs
- Onboard antenna
- Build in LiPo battery charger with STATUS LED, for handheld operations
- Lipo battery connector for Olimex LiPo batteries
- RESET button
- STATUS LED
- ICSP programming connector for rescue with ESP-PROG-C
- 4 mount holes
- USB-C connector for Debugging and Programming
- two soldered EXT headers with all signals and power supply



ESP32-C3-DevKit-Lipo ordering options

ESP32-C3-DevKit-Lipo can be ordered as:

- [ESP32-C3-DevKit-Lipo](#)

Additional accessories:

USB-C cable: [CABLE-USB-A-C-1M](#)

LiPo batteries: [Olimex LiPo batteries](#)

Breadboard: [BREADBOARD1](#)

Jumper wires: [JW-200x10](#), [JW-200x10-FM](#)

ESP32-C3-DevKit-Lipo Open Source Licensee

ESP32-C3-DevKit-Lipo is Open Source Hardware.

The Hardware files are released under [CERN OSHW licensee](#).

The software is released under [GPL 3 licensee](#).

The documentation is released under [CC BY-SA 3.0 licensee](#).

ESP32-C3-DevKit-Lipo software installation

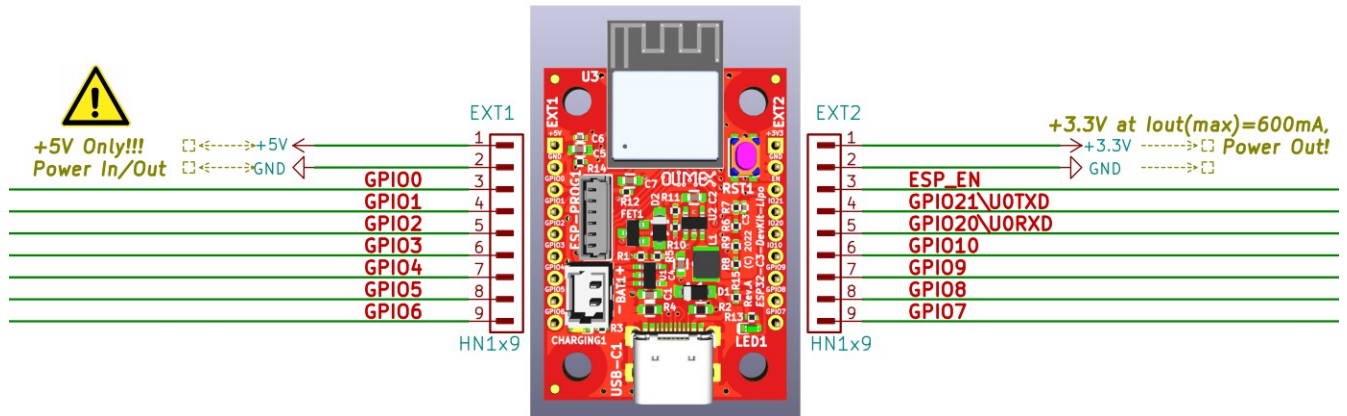
Espressif guide for [Arduino IDE installation](#).

Espressif guide for [PlatformIO installation](#).

Espressif [ESP-IDF installation](#).

JTAG [debugging installation](#).

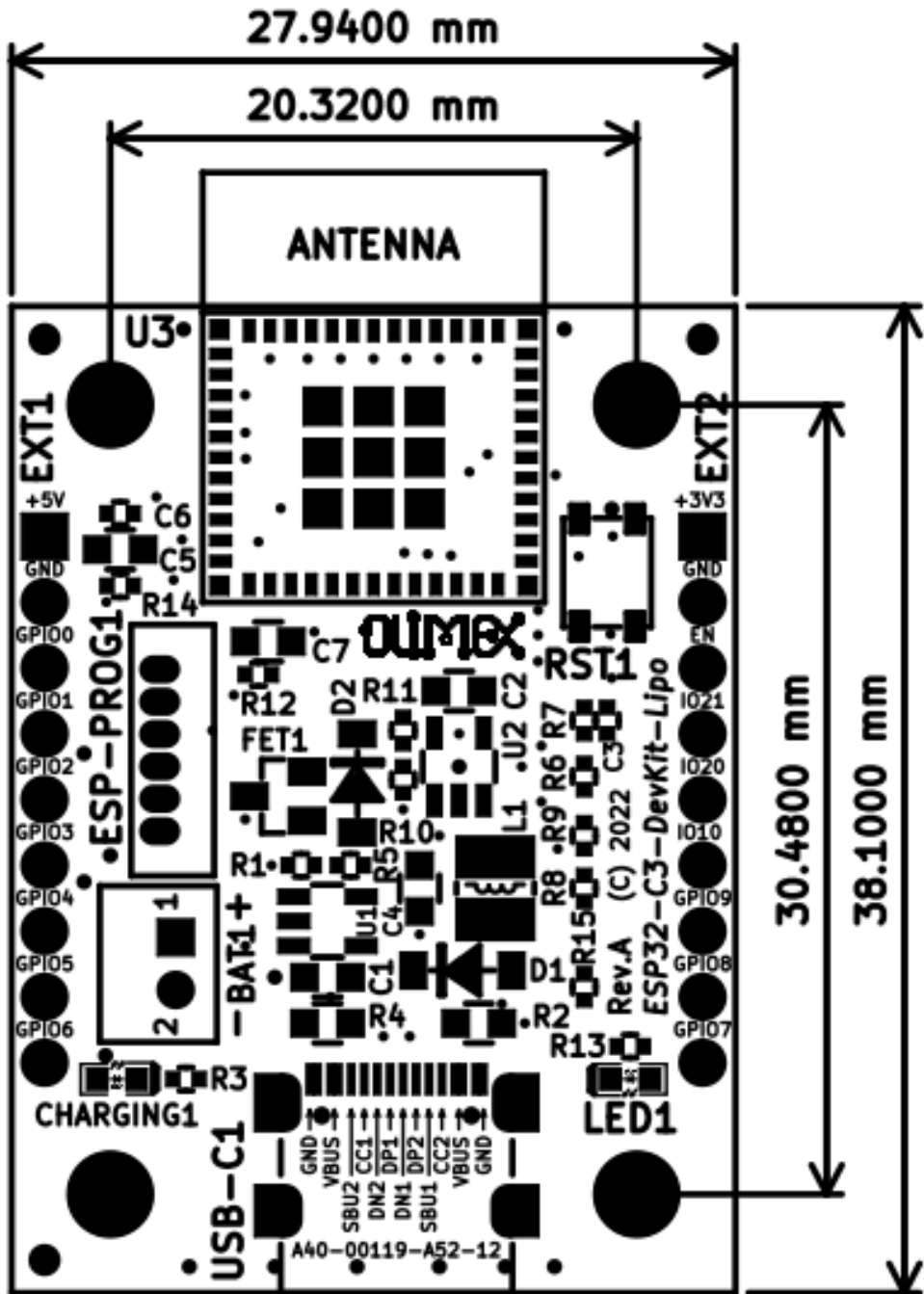
ESP32-C3-DevKit-Lipo pinout description:



ESP32-C3-DevKit-Lipo power supply and consumption

- 0.2A @ Active operation
- 22mA @ Idle
- 3mA @ Sleep
- 20 uA @ Power off

ESP32-C3-DevKit-Lipo dimensions



ESP32-C3-DevKit-Lipo schematic

ESP32-C3-DevKit-Lipo schematic on [GitHub](#)

Revision History

Revision 1.0 September 2022