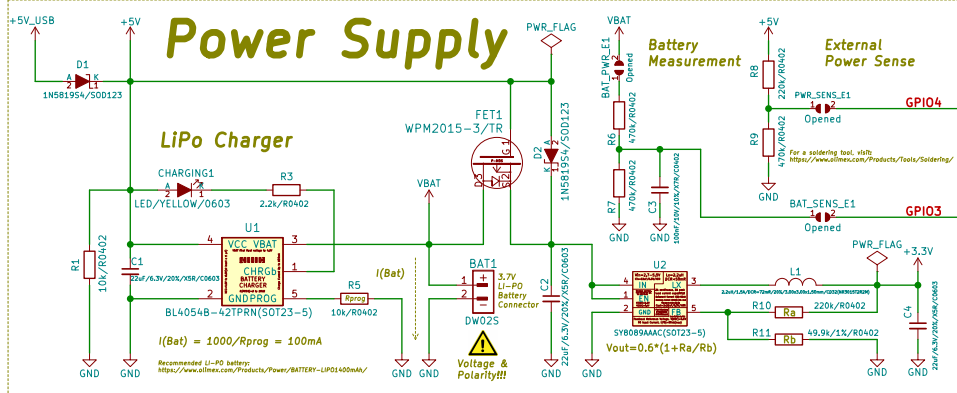
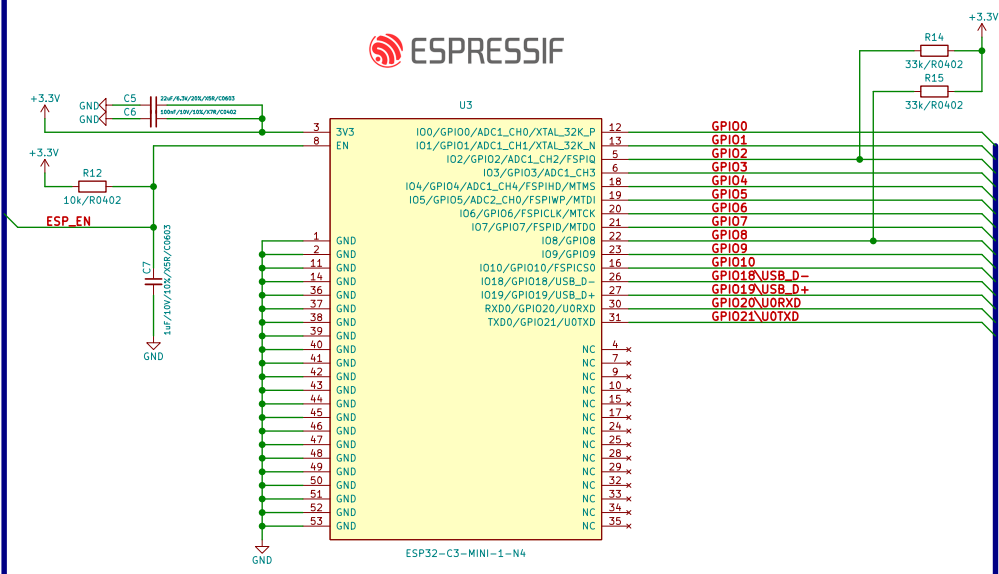


Power Supply

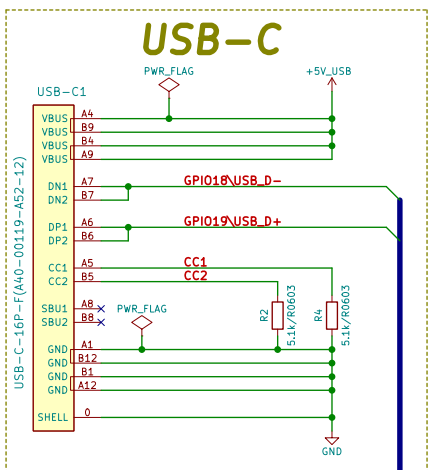


ESP32-C3-MINI MODULE

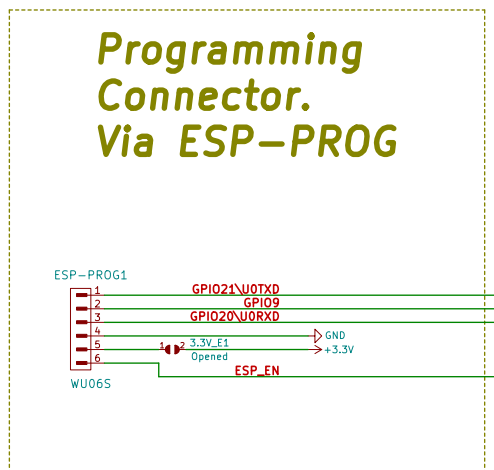


Note:
ESP32-C3 family has three strapping pins: GPIO2, GPIO8 and GPIO9.
By default, GPIO9 is connected to the internal pull-up resistor.

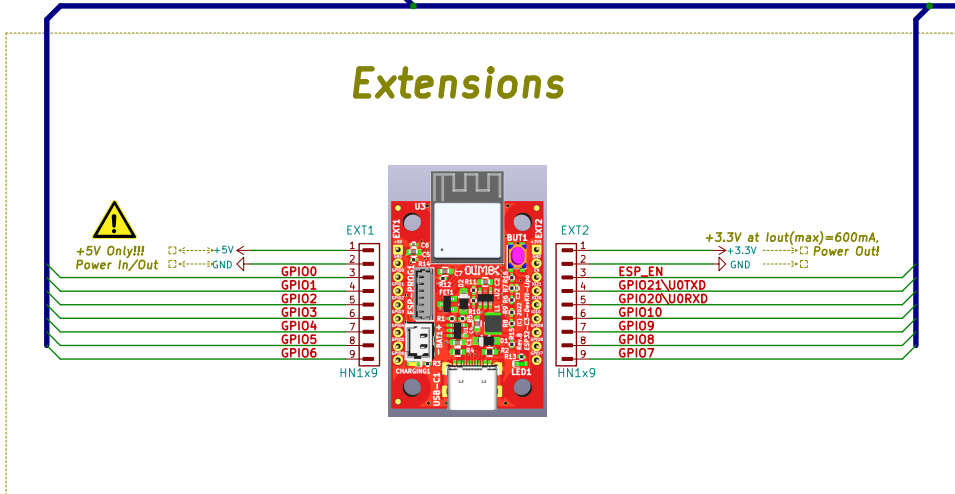
USB-C



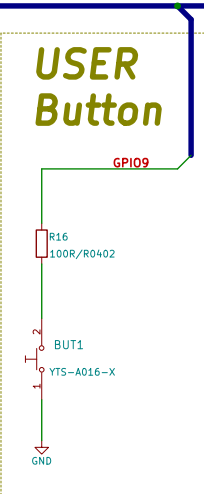
Programming Connector. Via ESP-PROG



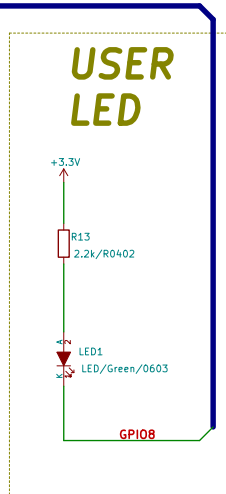
Extensions



USER Button



USER LED



Fiducials:



Mounting Holes:

