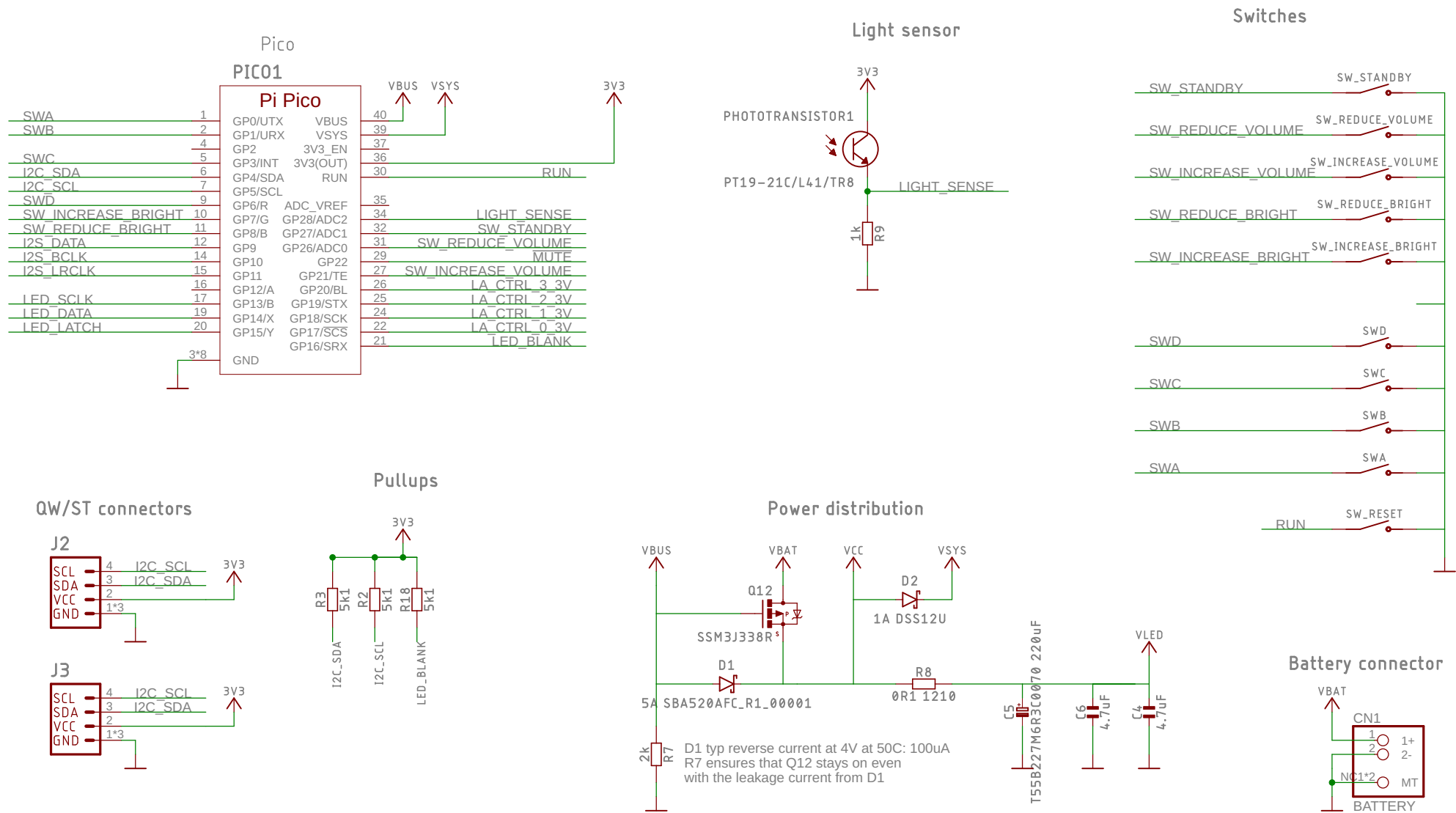
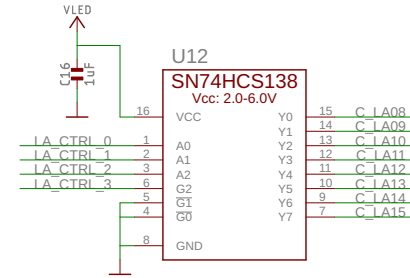
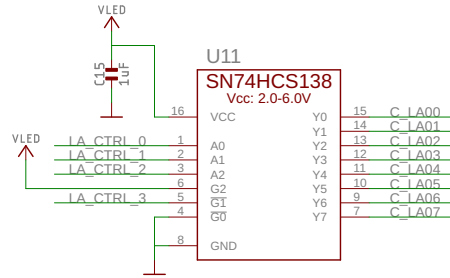
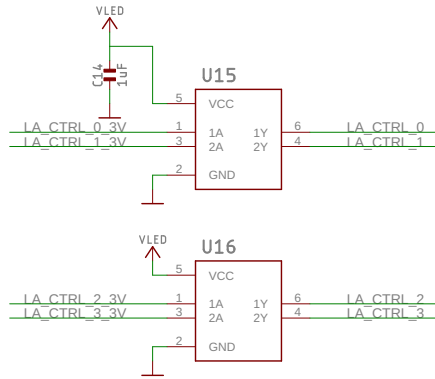


Cosmic Unicorn (Pico W Aboard) (PIM670)



Cosmic Unicorn (Pico W Aboard) (PIM670)

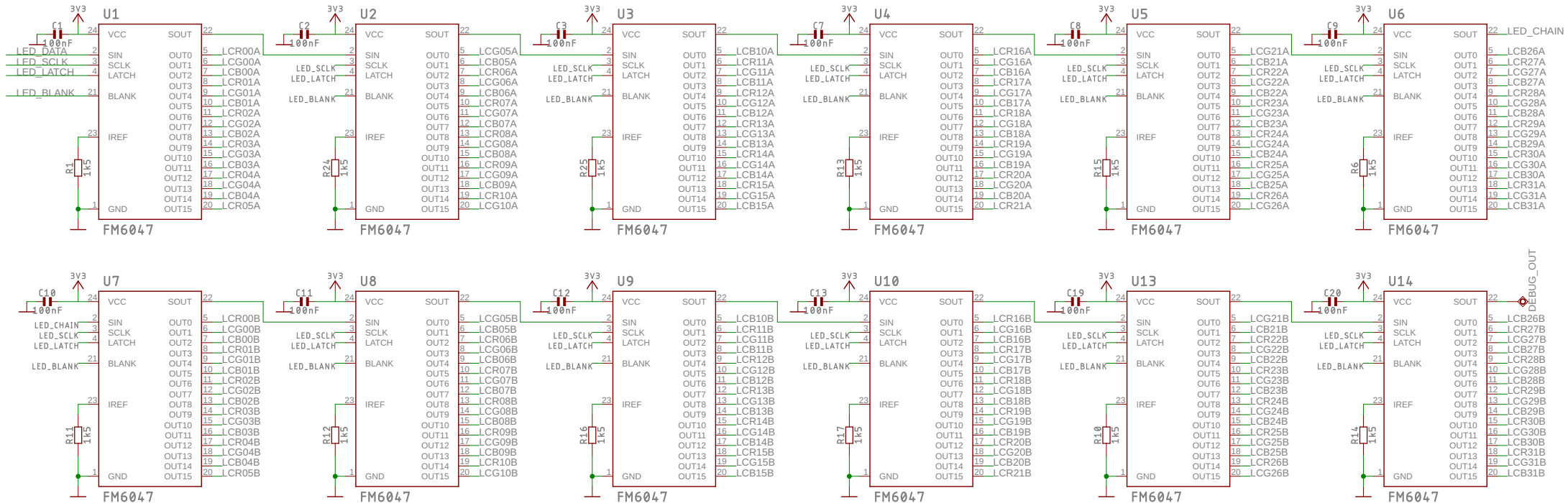
Row selection decoders



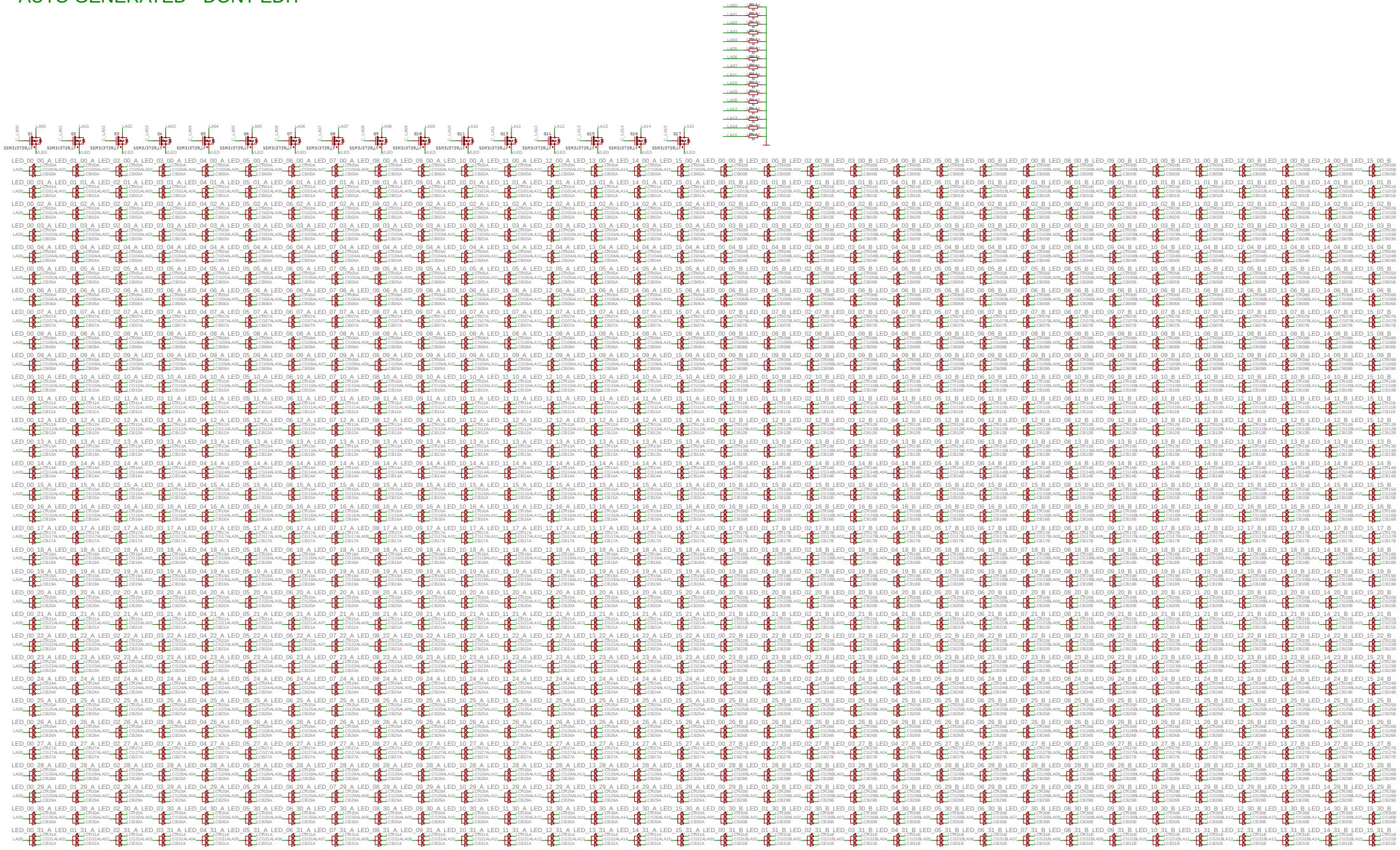
Chip enabled when LA_CTRL_3 is low

Chip enabled when LA_CTRL_3 is high

Column Drivers

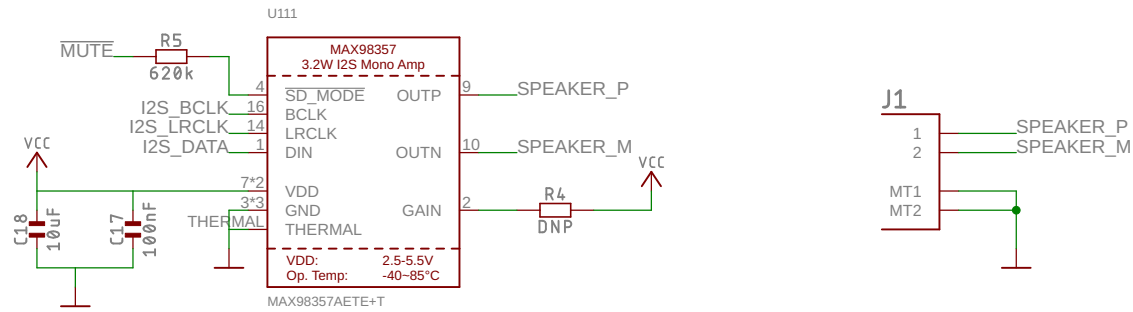


AUTO GENERATED - DONT EDIT



Cosmic Unicorn (Pico W Aboard) (PIM670)

Audio DAC+amp



At 5V:
R4 DNP -> Gain 9dB
R4 = 0ohm -> Gain 6dB
R4 = 100k -> Gain 3dB
(Gain values of 12dB and 15dB would require a resistor to GND)

At 5V:
R5 = 1M -> mix both channels
R5 = 0ohm -> left channel
R5 = 370k -> right channel