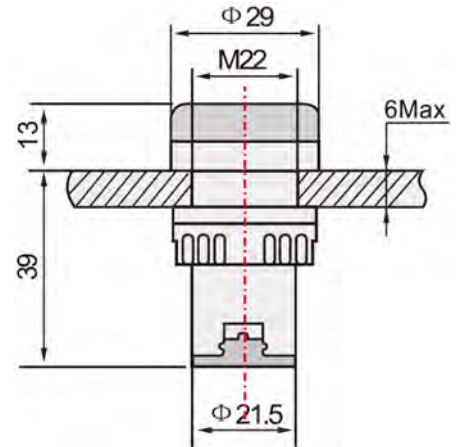


Features

- Multi-chip LED technology
- Modern and effective replacement for traditional 22mm pilot lights
- Low power consumption but brighter than standard incandescent indicators
- Screw cover is colour coded to lens colour to aid identification during installation
- Up to 400% more efficient than traditional incandescent indicators
- Back of panel lock nut fixing
- Screw clamp terminals
- IP65 rated



Specification

Current	20 mA
Flush-Mounted \varnothing	22 mm
LED Diameter	29 mm
Protection Rating	IP65
Termination Type	Screw Terminal
Dimensions \varnothing x L	21.5 x 52 mm
Wavelength Green	6300 nm
Wavelength Amber	5600 nm
Wavelength Red	470 nm
White Colour Temperature	10659 K
Insulation Resistance	> 2 MOhm
Index of Leakage	CT1: \geq 100
Life Expectancy	30000 Hours
Material: Plastic Enclosure	PBT
Material: Legend Plate	PBT
Flammability Rating	UL94-V0
Voltage of Working Frequency	2.5 kV (AC Valid Value), 1min
Voltage Wave Allowed by AC Indicator	\pm 20 %
Brightness	\geq 60 cd/m ²
Using Frequency	AC 50 ... 60 Hz

Work Environment

Operating Temperature	-25 ... 55 °C
Relative Humidity	\leq 98%
Applicable Vibration Frequency	2 ... 80 Hz
Acceleration Speed	0.7 h/g
Altitude	\leq 2000 m

Product Range

Art Nr. - Voltage



RND 210-00039B - 24 V
 RND 210-00041B - 230 VAC
 RND 210-00044B - 110 VAC
 RND 210-00054B - 12 V



RND 210-00040B - 24 V
 RND 210-00042B - 230 VAC
 RND 210-00045B - 110 VAC
 RND 210-00049B - 12 V



RND 210-00043B - 24 V
 RND 210-00053B - 230 VAC
 RND 210-00058B - 12 V



RND 210-00046B - 24 V
 RND 210-00050B - 230 VAC
 RND 210-00055B - 12 V



RND 210-00052B - 230 VAC