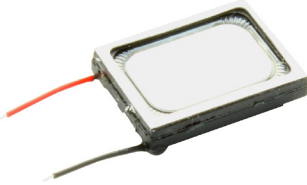


8Ω Miniature Speaker

multicomp PRO



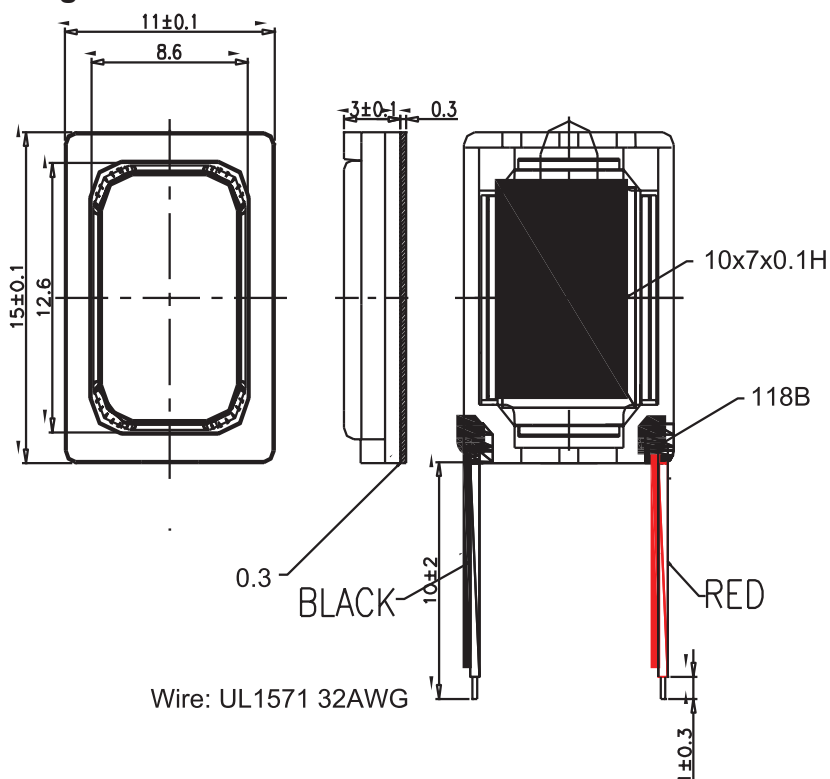
Features

- Miniature rectangular 8Ω speaker, 1Wmax.
- Very small, compact, low profile speaker
- Fitted with leads to enable easy fixing within an application.
- Suitable for mobile phones, PDAs and Bluetooth products.

Specifications

Rated Impedance	: 8Ω ±15% (2.0kHz/2.0Vrms)
Rated Input Power	: 0.7W
Maximum Input Power	: 1W
Resonant Frequency	: 700 ±20% Hz (1V) in free air
Coil Resistance	: 7.2Ω ±10%
Rated Frequency Range	: 0Hz to 20kHz
Sound Pressure Level	: 89dB ±3dB (2.0Vrms/10cm at AVG 0.8,1,1.5,2kHz)
Total Harmonic Distortion	: 1.0 % Max. (at 1kHz, 2.0rms/10cm)
Operating Temperature	: -30 to +80°C
Weight	: 1.5g

Diagram



Dimensions : Millimetres
Tolerance: ±0.2mm

Newark.com/exclusive-brands
Farnell.com/exclusive-brands
Element14.com/exclusive-brands

multicomp PRO

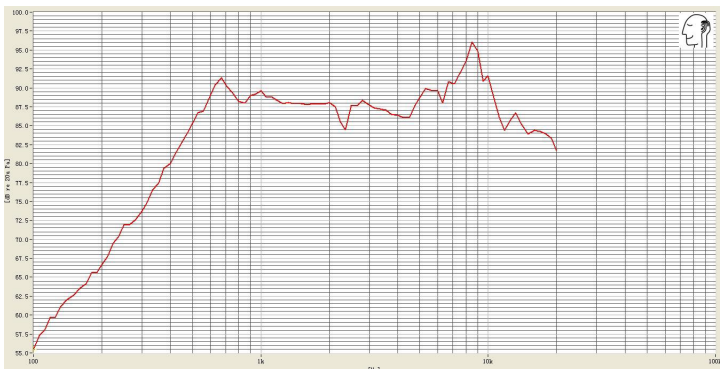
8Ω Miniature Speaker

multicomp^{PRO}

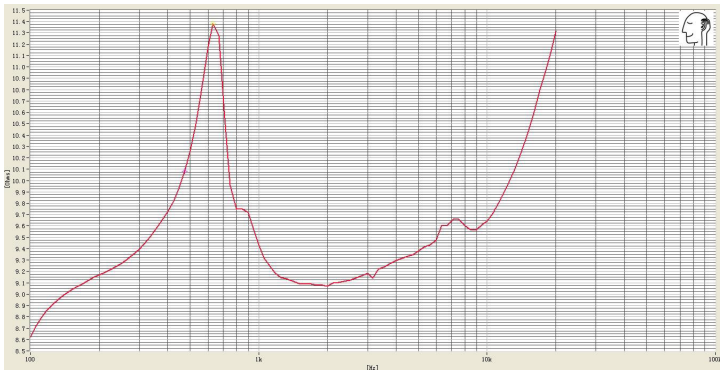
Material

Front Cover : PBT
Diaphragm : PEEK
Voice coil : Copper Wire
Frame & Terminal : PBT + SUS
Plate & Yoke : SPCC
Magnet : NdFeB

2.0Vrms/10cm



1.0Vrms/10cm



Part Number Table

Description	Part Number
Miniature speaker, 8Ω, 15mm × 11mm × 3mm	MP000291

Important Notice : This data sheet and its contents (the "Information") belong to the members of the AVNET group of companies (the "Group") or are licensed to it. No licence is granted for the use of it other than for information purposes in connection with the products to which it relates. No licence of any intellectual property rights is granted. The Information is subject to change without notice and replaces all data sheets previously supplied. The Information supplied is believed to be accurate but the Group assumes no responsibility for its accuracy or completeness, any error in or omission from it or for any use made of it. Users of this data sheet should check for themselves the Information and the suitability of the products for their purpose and not make any assumptions based on information included or omitted. Liability for loss or damage resulting from any reliance on the Information or use of it (including liability resulting from negligence or where the Group was aware of the possibility of such loss or damage arising) is excluded. This will not operate to limit or restrict the Group's liability for death or personal injury resulting from its negligence. Multicomp Pro is the registered trademark of Premier Farnell Limited 2019.

Newark.com/exclusive-brands
Farnell.com/exclusive-brands
Element14.com/exclusive-brands

multicomp^{PRO}