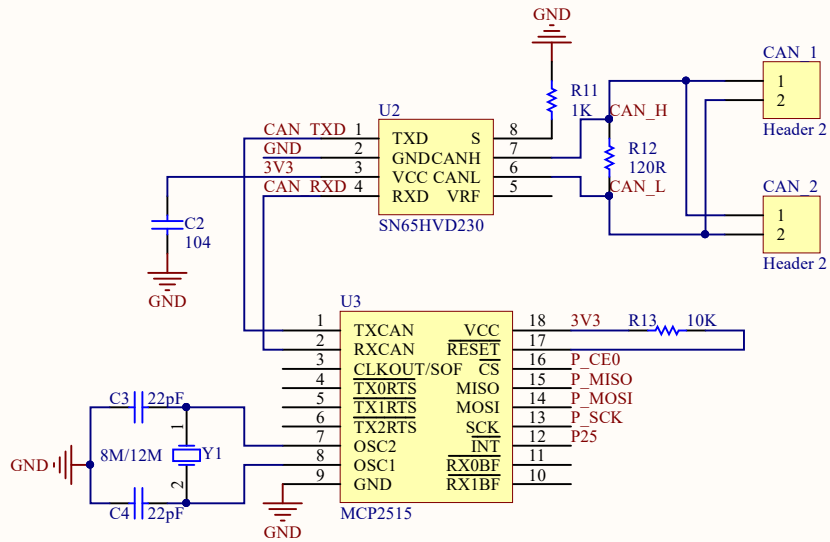



 waveshare
RS485 CAN HAT



BCM	wPi	P1	wPi	BCM
2	8	3V3	1	2
3	9	P_SDA	2	3
4	7	P_SCL	3	4
		P4	4	GND
		GND	5	P_TX
			6	P_RX
17	0		7	
27	2		8	
22	3		9	10
			10	GND
			11	12
			12	GND
			13	14
			14	GND
			15	16
10	12	3V3	16	GND
9	13	P_MOSI	17	P25
11	14	P_MISO	18	GND
		P_SCK	19	P_CE0
		GND	20	
			21	
			22	
			23	
			24	
			25	
			26	
			27	
5	21		28	GND
6	22		29	P12
13	23		30	GND
19	24		31	
26	25		32	GND
			33	
			34	
			35	
			36	
			37	
			38	
			39	
			40	

