

SSI2164

FATKEYS™ QUAD VOLTAGE CONTROLLED AMPLIFIER

The SSI2164 is a versatile VCA building block for high-performance audio applications. Four independent channels provide voltage control of current-mode inputs and outputs for a gain range from +20dB to -100dB, with control provided by a ground-referenced -33mV/dB constant. The SSI2164 will directly retrofit existing SSM/V2164 positions while offering improvements that include significantly lower overall distortion, on-chip protection against asymmetrical power failure, and a substantial increase of input current handling.

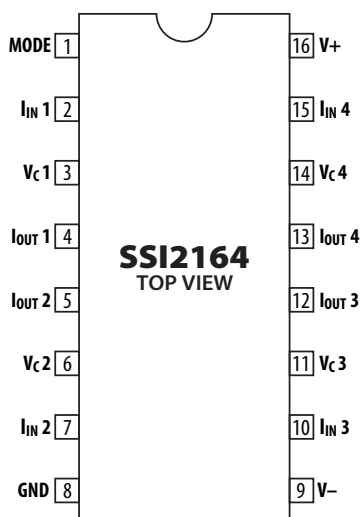
The device offers considerable flexibility for a wide range of design goals and applications. A unique mode control allows selection of Class A, Class AB, or in-between using a single resistor. In addition, improved current handling allows use of considerably lower value input resistors for reduced output noise without loss of headroom. SSI2164 VCA channels can be used as high-quality OTA building blocks for a variety of applications such as voltage controlled filters, exponential generators, and antilog converters.

The SSI2164 will operate on supplies as low as +8V for battery-powered devices such as guitar pedals, or up to ±18V in systems where maximum headroom is desired.

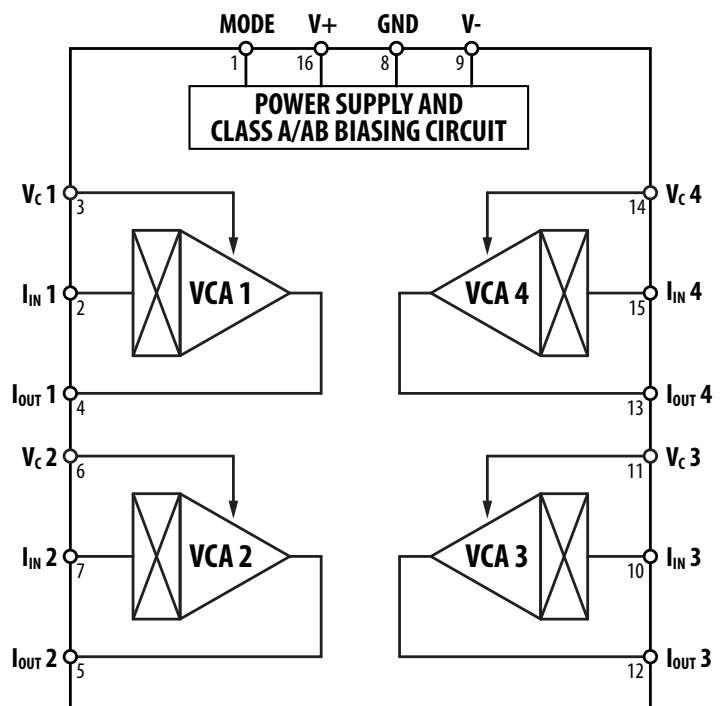
The SSI2164 is part of a family of affordable high-performance VCA's from Sound Semiconductor. The SSI2162 offers two channels with a small PCB footprint, and the single-channel SSI2161 provides lowest noise.

FEATURES

- Improved Direct Replacement for SSM2164/V2164
- Input Current Handling Increased 2x to 1mA
- Pin-Selectable Class A or AB Operation
- 118dB Dynamic Range (Class AB)
- Low Distortion – Typical 0.025% (Class A)
- Large Gain Range: -100dB to +20dB
- ±4V to ±18V Operation
- No External Trimming
- Low Control Feedthrough – Typical -60dB



PIN CONNECTIONS
16-LEAD SOP
(JEDEC MS-012-AC)



FUNCTIONAL BLOCK DIAGRAM

SPECIFICATIONS ($V_S = \pm 15V$, $V_{IN} = 0.775V_{RMS}$, $f = 1kHz$, $A_V = 0dB$, Class AB, $T_A = 25^\circ C$; using Figure 1 circuit without diode)

Parameter	Symbol	Conditions	Min	Typ	Max	Units
POWER SUPPLY						
Supply Voltage Range	V_S		± 4		± 18	V
Supply Current	I_S	Class AB, $V_C = GND$		± 6	± 8	mA
Supply Current	I_S	Class A, $V_C = GND$, $I_M = 1mA$		± 8.4		mA
Power Supply Rejection Ratio	PSRR	60Hz		90		dB
CONTROL PORTS						
Input Impedance			9	10	11	k Ω
Gain Constant		After 60 seconds of operation		-33		mV/dB
Gain Constant Temp. Coefficient				-3300		ppm/ $^\circ C$
Control Feedthrough		$A_V = 0dB$ to $-40dB$		-60		dB
Gain Accuracy		$A_V = 0dB$		+0.30		dB
		$A_V = +20dB$		-0.20		dB
		$A_V = -20dB$		+0.20		dB
Channel-to-Channel Gain Matching		$A_V = 0dB$		0.07		dB
		$A_V = -40dB$		0.24		dB
Maximum Attenuation				-100		dB
Maximum Gain				+20		dB
SIGNAL INPUTS						
Input Bias Current	I_B			± 10		nA
Input Current Handling				1		mA _P
SIGNAL OUTPUTS						
Output Offset Current		$V_{IN} = GND$		± 150		nA
Output Compliance				± 100		mV
PERFORMANCE						
Output Noise ($I_M = 1mA$)		Class AB (20Hz - 20kHz, unweighted)				
		$R_{IN/OUT} = 30k\Omega$		-93		dBu
		$R_{IN/OUT} = 20k\Omega$		-96		dBu
		$R_{IN/OUT} = 15k\Omega$		-98		dBu
		$R_{IN/OUT} = 7.5k\Omega$		-101		dBu
		Class A (20Hz - 20kHz, unweighted) ¹				
		$R_{IN/OUT} = 30k\Omega$		-81		dBu
		$R_{IN/OUT} = 20k\Omega$		-84		dBu
		$R_{IN/OUT} = 15k\Omega$		-87		dBu
		$R_{IN/OUT} = 7.5k\Omega$		-92.5		dBu
Headroom	HR	1% THD		+22		dBu
Total Harmonic Distortion ($I_M = 1mA$)	THD	Class AB (80kHz BW)				
		$A_V = 0dB$		0.05		%
		$A_V = 0dB$, $V_{IN} = -17dBu$		0.025		%
		$A_V = +20dB$		0.20		%
		$A_V = -20dB$		0.045		%
		Class A (80kHz BW) ¹				
		$A_V = 0dB$		0.025		%
		$A_V = 0dB$, $V_{IN} = -5dBu$		0.015		%
		$A_V = +20dB$		0.17		%
		$A_V = -20dB$		0.025		%
Channel Separation				-110		dB
Unity Gain Bandwidth		$C_F = 10pF$		500		kHz
Slew Rate	SR	$C_F = 10pF$		700		$\mu A/\mu s$

ABSOLUTE MAXIMUM RATINGS

Supply Voltage	$\pm 20V$
Storage Temperature Range	$-65^\circ C$ to $+150^\circ C$
Operating Temperature Range	$-40^\circ C$ to $+85^\circ C$
Lead Temperature (Soldering, 10 sec)	$260^\circ C$
Mode Current (I_M ; Pin 1 to Pin 16 via R_M)	2.0mA
Control Pin Voltage (Pins 3, 6, 11, 14)	V- to V+

ORDERING INFORMATION

Part Number	Package Type/Container	Quantity
SSI2164S-TU	16-Lead SOP* - Tube	50
SSI2164S-RT	16-Lead SOP* - Tape and Reel	3000

*SSI Package ID "PSL16", compliant with JEDEC MS-012-AC
Mechanical drawing available at www.soundsemiconductor.com

PIN DESCRIPTIONS (“x” refers to one of the four channels)

Pin(s)	Name	Description
1	MODE	Current into this pin sets VCA core to operate as Class A (lowest THD), AB (lowest noise), or inbetween, set by external resistor. Leave open for Class AB operation.
2, 7, 10, 15	I _{IN} x	Ground-referenced current inputs; each requires RC network.
3, 6, 11, 14	V _C x	Ground-referenced control port with a –33mV-per-dB constant.
4, 5, 12, 13	I _{OUT} x	Ground-referenced current output.
8	GND	Connect to analog signal ground with short, low inductance trace.
9	V–	Negative supply. Recommend 100nF local decoupling capacitor placed as close to package as possible with a low inductance trace to ground.
16	V+	Positive supply. Recommend 100nF local decoupling capacitor placed as close to package as possible with a low inductance trace to ground.

USING THE SSI2164

The SSI2164 is a four-channel voltage controlled amplifier with a control range from +20dB to –100dB. Each VCA is an independent current-in, current-out device with a separate voltage control port. Only the mode control affects all four channels; otherwise designers have great latitude on use of each channel for a given application. Basic operation is described below; see the “Principles of Operation” section for further details on inner workings of the device and an application section that follows.

Signal Inputs

Figure 1 shows the basic application circuit for one channel. Resistor R_{IN} converts the input voltage to an current, and a 220Ω resistor in series with a 1200pF capacitor connected to ground ensures stable operation. The SSI2164 is quite tolerant of RC network selection, but 220Ω/1200pF has been proven to work well over a wide range of R_{IN} values; existing SSM/V2164 positions with RC networks of 500Ω/560pF also work well for R_{IN} of 20kΩ or greater.

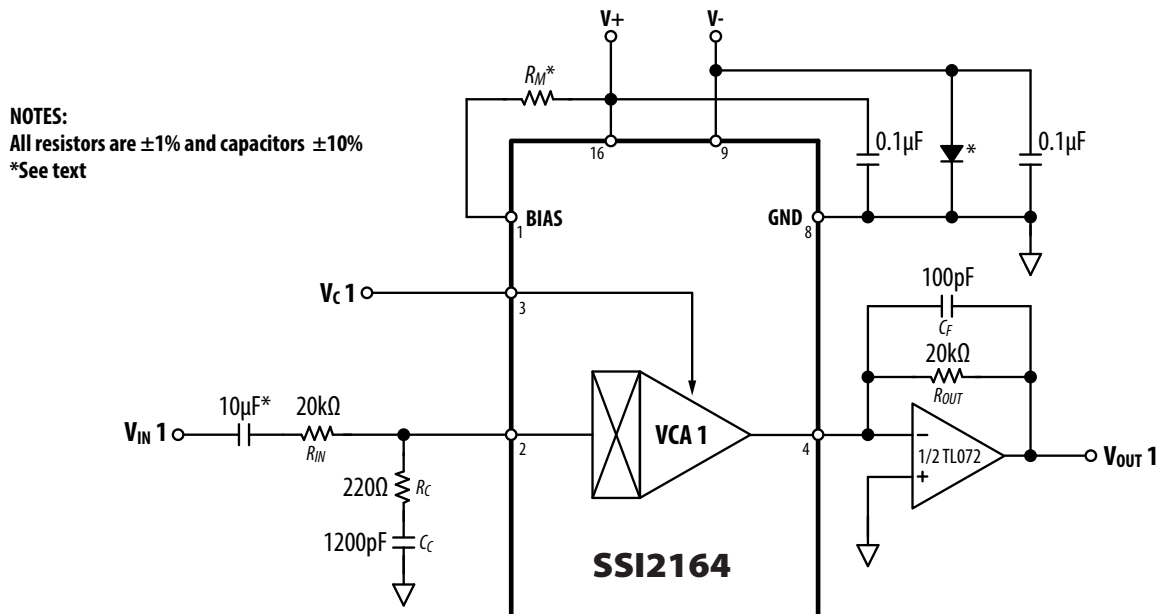


Figure 1: Typical Application Circuit

A 20kΩ value for R_{IN} is recommended for most applications, but can range from 7.5kΩ to 100kΩ – lower values will produce the best noise performance at some cost in distortion.

Maximum input current handling is approximately 1mA peak. This input current “headroom” is only likely to be a consideration when using R_{IN} values of 10kΩ and below with supplies of $\pm 12V$ and higher. In such cases, one may want to design the signal chain for a maximum input current of 900μA to allow adequate headroom.

An optional series-connected 10μF capacitor is recommended for improved control feedthrough.

Signal Outputs

The output current pin should be maintained at virtual ground using an external amplifier such as a TL072; feedback shown results in unity gain. Many op-amps require a feedback capacitor to preserve phase margin. A value of 100pF will suffice in most cases; larger values can be used to reduce high-frequency noise at the expense of bandwidth. In most cases, headroom will be limited by the op amp – increased headroom can be achieved by using a rail-to-rail amplifier or operating on separate supplies.

The direction of current out of the SSI2164 mimics that of a resistor: current flowing into the input then flows out of the output, and vice versa. This greatly simplifies overall design in filter applications; see “Voltage Controlled Filters” in the Application section. For audio level applications where the VCA is used only to vary the signal level (e.g., mixer automation, synthesizer VCA module, etc) the combination of SSI2164 VCA and opamp (Figure 1) produces an output whose phase is inverted.

Control Port

The SSI2164 provides exponential control with gain constant of -33mV/dB; to realize the full gain range of +20dB to -100dB, control voltage should span from -660mV to 3.3V, respectively. If only attenuation is desired, the control port can be driven directly from a low impedance voltage-output DAC.

The control input has a nominal impedance of 10kΩ, with an internal 10:1 resistor divider. Because of this, any resistance in series with V_C will attenuate the control signal somewhat. If precise control of gain and attenuation is required, buffering the control voltage is suggested.

The 33mV/dB control voltage law is essentially set by transistor physics, and has the property of being proportional to absolute temperature, or approximately 0.33%/°C. This is low enough to be unimportant in most applications, but can be reduced with external temperature-dependent networks. One example is shown in Figure 2 using an inexpensive NTC thermistor (such as Vishay NTCLE100E3103JB0 or similar).

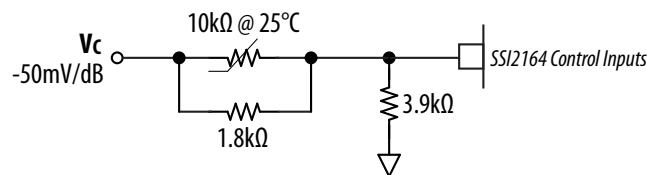


Figure 2: Temperature-Compensated Control Port

Class A Mode Current

The SSI2164’s gain core can be biased as Class A, AB, or in-between. Class AB will yield the best noise performance which is achieved with Pin 1 left open. Class A offers lowest distortion and requires connection of resistor R_M between Pin 1 and V_+ .

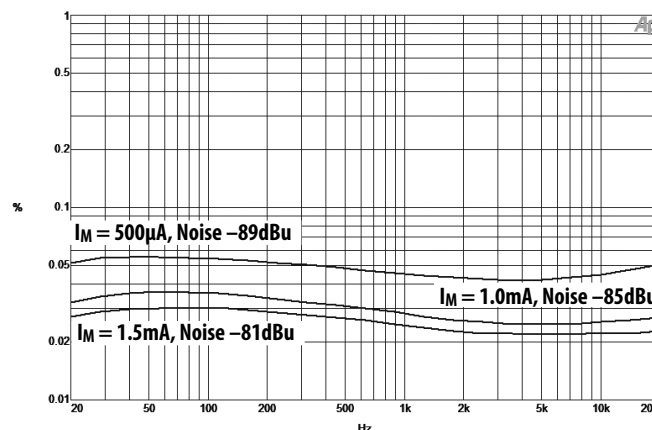


Figure 3: SSI2164 Class A THD+N At Varying Mode Currents

$R_{IN} = 20k\Omega$, $V_{IN} = 0dBu$, $A_V = 0$, $V_S = \pm 15V$, 22Hz - 80kHz Filter

As Figure 3 shows, mode current I_M affects both noise and distortion. For most applications, a 1mA mode current provides the best overall Class A performance. One can reduce THD further by increasing mode current, but at a significant cost in noise. In addition, increased mode current increases supply current. For example, supply current is typically $\pm 8.4\text{mA}$ with a 1.0mA mode current, but jumps to nearly $\pm 11\text{mA}$ at 1.5mA. Under no circumstances should mode current exceed 2mA. For some applications, the designer might consider mode current below 1mA for improved Class A noise and power dissipation.

Resistor R_M can be calculated by:

$$R_M = \frac{+V - 0.65V}{I_M}$$

See the "Principles of Operation" section for further discussion on gain core biasing.

Unused Channels

If any channels of the SSI2164 are unused, inputs and outputs should be grounded. Control pins can be left open or grounded. Rather than put a channel to waste, however, the designer might consider ways to put it to use for additional functionality, or parallel with another channel for reduced noise as described in "Ultra-Low Noise VCA" later in this data sheet.

Supplies

Supplies from $\pm 4\text{V}$ to $\pm 18\text{V}$ are possible, which should be regulated and include normal design practices such as bypass capacitors as shown in Figure 1. Since internal protections were added to prevent catastrophic failure that may be experienced during SSM/V2164 asymmetrical power-up, the typical Schottky diode solution is no longer necessary. In most applications, no diode is needed. Modular synthesizer sub-systems may want to include a standard 1N4148-style diode as an extra measure of protection since "hot" plugging of modules may be experienced.

Single supply operation is described in the Applications section.

PRINCIPLES OF OPERATION

VCA Core

The simplified schematic in Figure 4 shows the basic structure of a VCA cell. The gain core is comprised of matched differential pairs Q1 – Q4 and current mirrors Q5, Q6 and Q7, Q8. The current input pin, I_{IN} , is connected to the collectors of Q1 and Q7 and the difference in current between these two transistors is equivalent to I_{IN} . For example, if $100\ \mu\text{A}$ is flowing into the input, Q1's collector current will be $100\ \mu\text{A}$ higher than Q7's collector current.

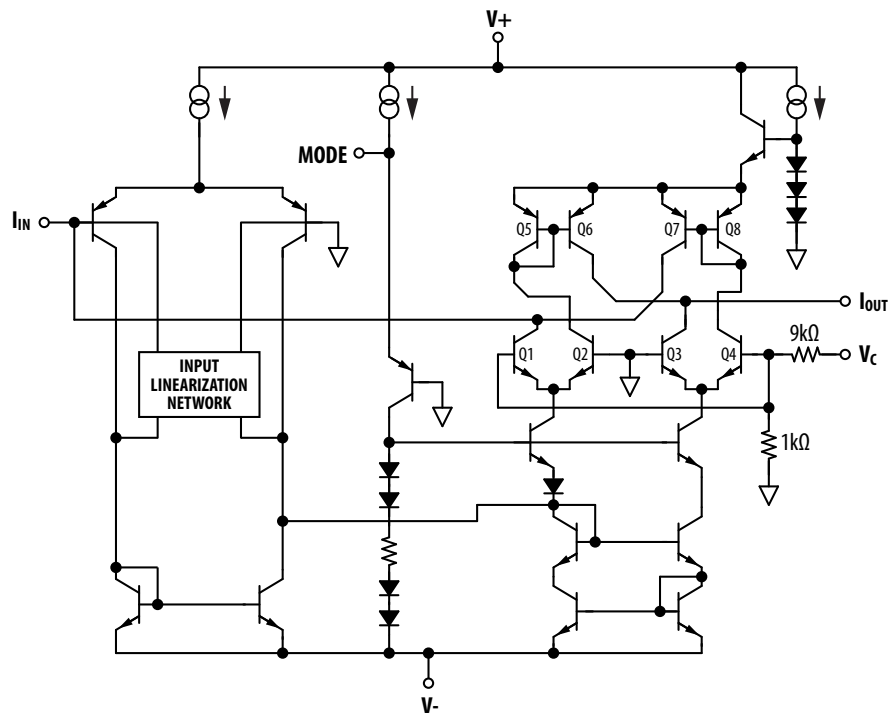


Figure 4: SSI2164 Simplified Schematic

The control voltage V_C steers the signal current from one side of each differential pair to the other, resulting in either gain or attenuation. For example, a positive voltage on V_C steers more current through Q1 and Q4 and decreases the current in Q2 and Q3. The current output pin, I_{OUT} , is connected to the collector of Q3 and the current mirror (Q6) from Q2. With less current flowing through these two transistors, less current is available at the output. Thus, a positive V_C attenuates the input and a negative V_C amplifies the input. The VCA has unity gain for a control voltage of 0.0V where the signal current is divided equally between the gain core differential pairs.

Biasing the VCA Core

VCA's operate by modulating differential currents in a transistor core, a fraction of which is steered to the output in a value set by the control voltage. Such VCA's are generally classified as Class A, Class B and Class AB; terms borrowed from radio transmitter jargon.

In Class A operation the quiescent current in the transistor core is designed to be greater than the maximum input current, so all the transistors remain active at all signal levels. This type of operation produces the lowest distortion, but the high quiescent current level has a severe impact on noise floor and control feedthrough rejection.

In Class B operation the core transistor current is zero and only half the transistors conduct signal at any point of time. Such operation would yield the lowest possible noise floor and near perfect control rejection, but is unfortunately impractical in practice. This is because the transistors effectively disconnect feedback inside the VCA during zero-crossings and low signal levels, potentially causing latch-up or instability. The solution is to arrange the circuit to operate in class A at low signal levels and enter Class B at larger ones. This is known as Class AB operation.

In some applications, distortion may be more important than noise or control feedthrough, in which case it is desirable to raise the point at which the transition from class A to class B takes place. This can be affected by injecting current into the Mode pin. The relationship between the input current transition point and the current injected into the Mode pin is intentionally non-linear. Figure 5 shows the relationship between the two.

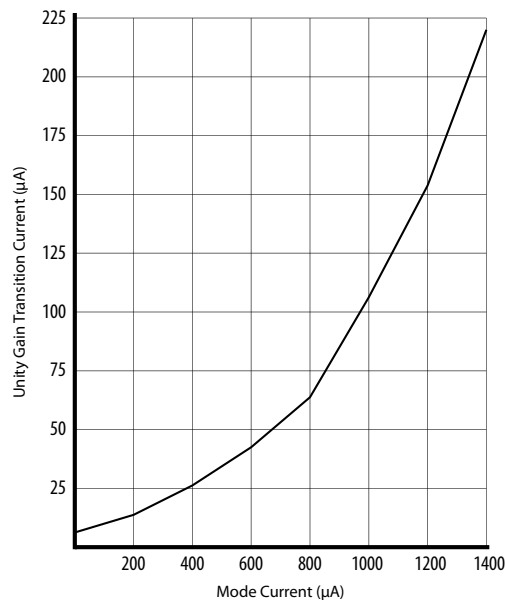


Figure 5: Class A Mode Current to Transition Current Association

For example, supposing the desired transition point is at a peak input voltage of one volt. With a 20kΩ input resistor this would correspond to an input current of 50µA, and extrapolating from Figure 5 would require a current of about 650µA to be injected into the mode pin. The mode pin is biased about 0.65V above ground, so a resistor placed between this pin and V+ would see a voltage of 14.35V with a +15V supply. Therefore a resistor value of 22kΩ would work well.

APPLICATION INFORMATION

SINGLE SUPPLY OPERATION

By referencing to a pseudo-ground point midway between V+ and V-, the SSI2164 can operate from a single supply between +8V and +36V. An op amp provides a low-impedance reference, from which all ground connections are made.

As shown in Figure 6, a voltage divider comprised of two 10kΩ resistors connected to the non-inverting input provides a ground voltage reference, the output of which is connected to ground on the SSI2164. The SSI2164's inputs can be referenced to the same ground, or AC coupled as

shown in Figure 6. The 10Ω resistor and 22μF capacitor filter noise that may otherwise be present in the pseudo-ground. Control ports provide unity gain when V_C is equal to the ground reference voltage, or 4.5V in the case of Figure 6.

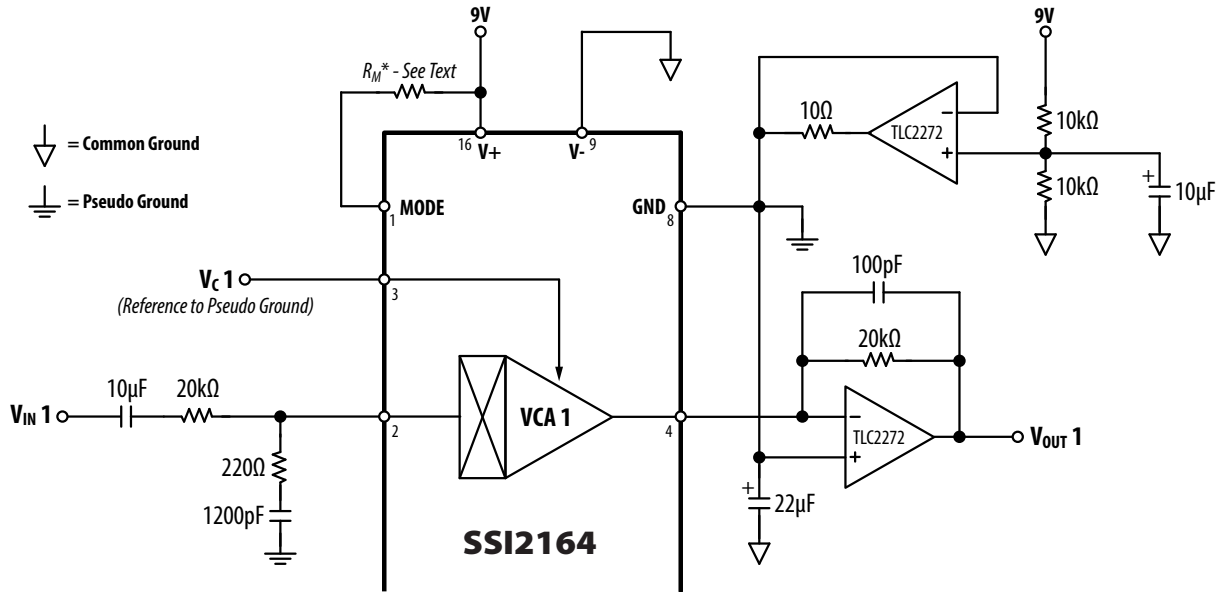


Figure 6: Single-Supply Operation

To bias SSI2164 gain cores as class A, the mode resistor value calculation is modified slightly to:

$$R_M = \frac{+V - 0.65V}{2 I_M}$$

For example, if using 9V supplies R_M should be 3.9kΩ.

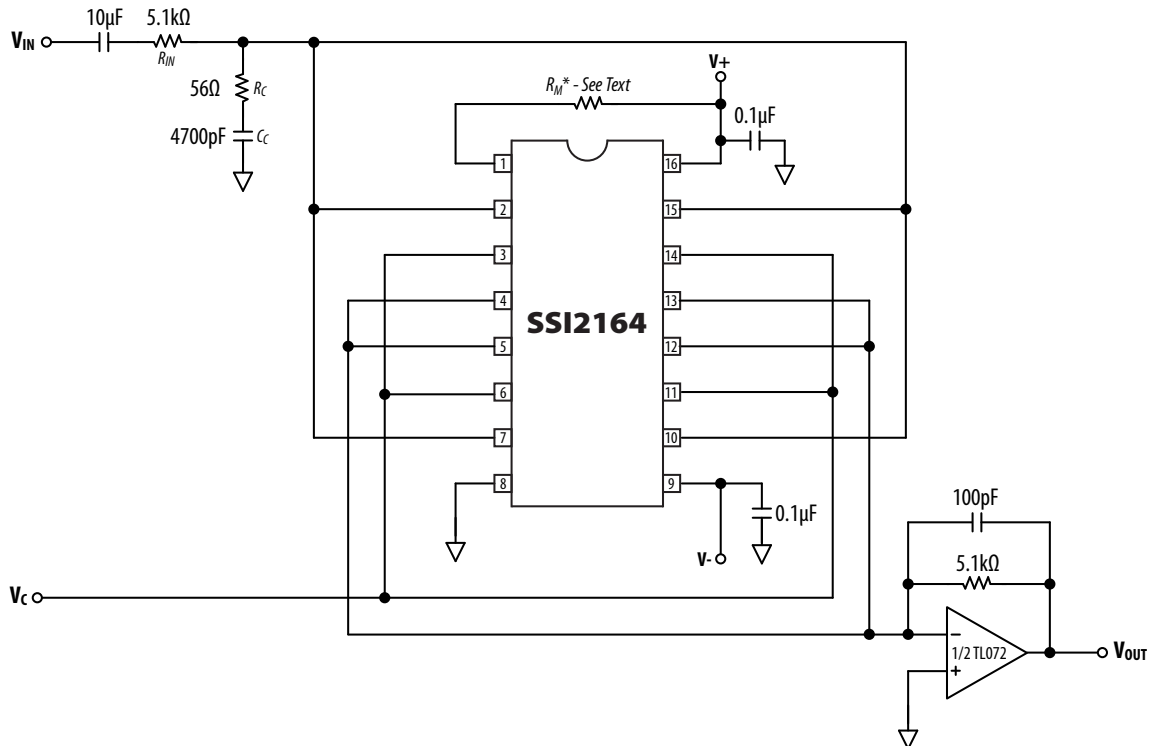


Figure 7: Ultra-Low Noise VCA

ULTRA-LOW NOISE VCA

Since gain of the SSI2164's input amplifier is finite and well controlled, significant noise improvement can be realized by connecting two or more channels in parallel – for example 3dB from two “ganged” channels, 6dB from four channels, and so on. Figure 7 shows a four channel connection. Inputs are tied together, with a single R_{IN} and R_C network placed outside the common connection. Similarly, outputs are connected to a single op amp. Finally, the control ports are tied together for a single V_C .

Care must be taken in selecting $R_{IN/OUT}$ and R_C network values. $R_{IN/OUT}$ and R_C are calculated by dividing the desired single-channel value by the number of channels in parallel. Conversely, C_C 's value is determined by multiplying its single-channel value by the number of channels in parallel. For example, starting with Figure 1 values and four channels paralleled as shown in Figure 7, $R_{IN/OUT}$ should be 5.1k Ω , R_C 56.2 Ω , and C_C 4700pF. Output noise will improve from -97dBu for a single channel to -103dBu from the four-channel paralleled connection shown.

FOUR-INTO-ONE-MIXER

Figure 8 shows a four-channel mixer using the SSI2164. Each input is treated as shown in the Figure 1 typical application, and the four outputs are summed together into a single op amp. A 5.1k Ω R_{OUT} value is shown in case some or all inputs expect full-headroom signals. The designer may wish to experiment with $R_{IN/OUT}$ values to optimize signal handing for a particular application.

Any number of SSI2164 outputs can be tied together for larger mixer input needs.

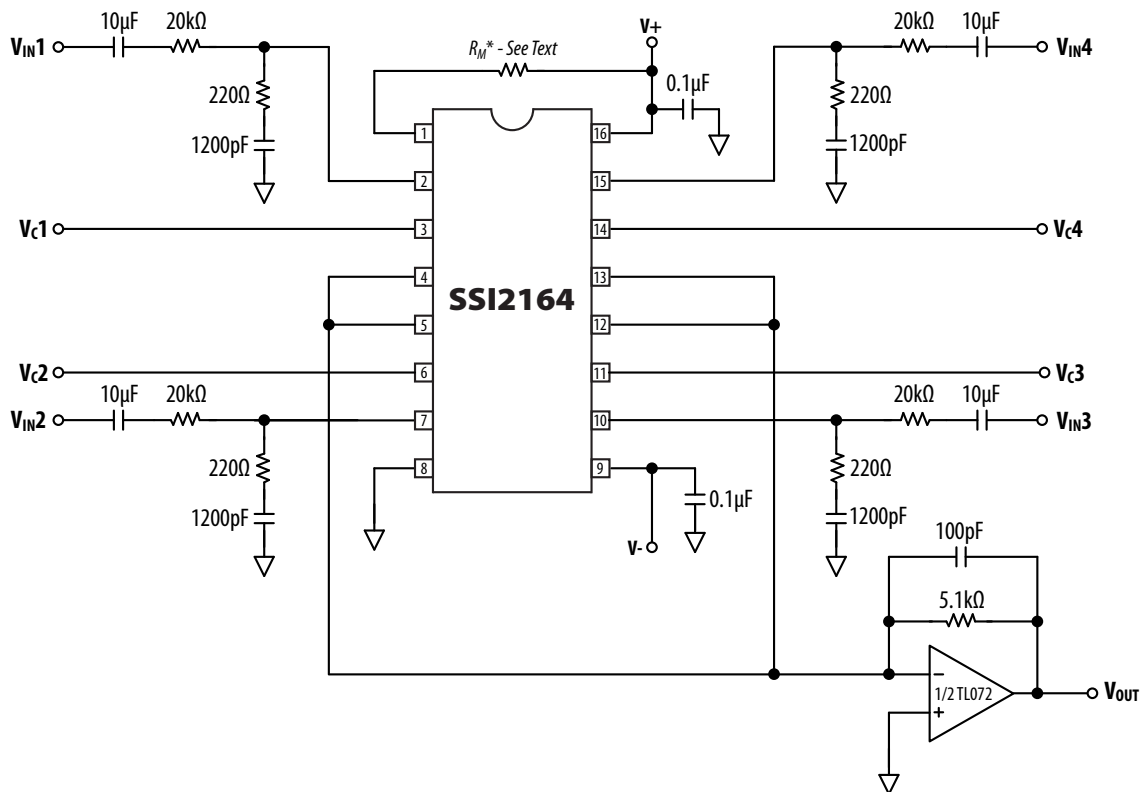


Figure 8: 4-into-1 Mixer

ZERO TO 5V LINEAR AND EXPONENTIAL CONTROL OPTIMIZED FOR MODULAR SYNTHESIZERS

By Phillip Gallo

The SSI2164's characteristic -33mV/dB gain constant provides exponential control typical of traditional professional audio VCAs, but some electronic music systems favor linear control. In addition, modular systems often use a control range of 0V to 5V – where 5V corresponds to unity gain and 0V full attenuation – and operate from $\pm 12V$ supplies. The following circuits address these needs.

Figure 9 depicts a control circuit based on the Irwin linearization scheme (“Op Amp Linearizes Attenuator Control Response,” Mike Irwin, EDN, 7/25/2002, p. 92) which places a SSI2164 VCA channel in the feedback loop of the input control voltage summing amplifier.

The summing amplifier variably adjusts the control VCA to develop negative feedback proportional to applied control inputs. Connecting the circuit output to the control port of a normally configured companion VCA exactly corrects for its exponential control response, resulting in an accurate linear response.

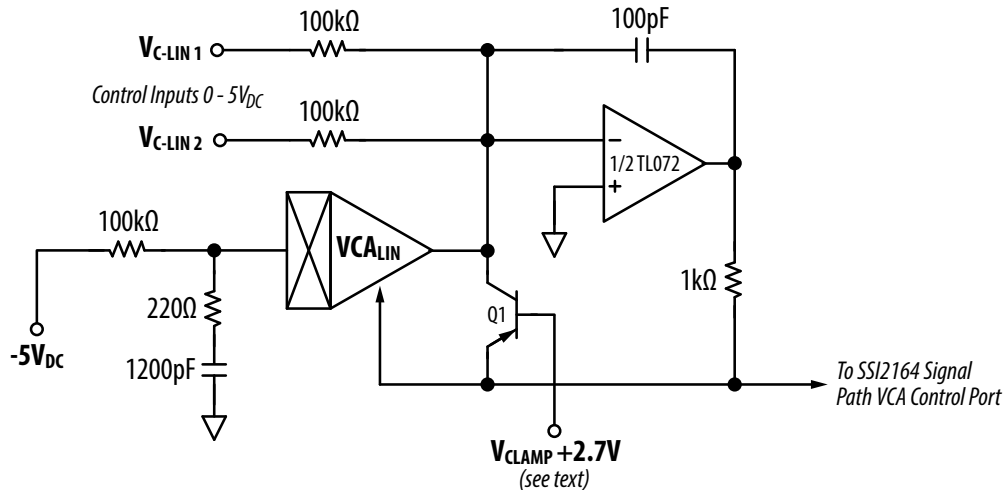


Figure 9: 0 – 5V Linear Control Circuit

The summing amplifier should be optimally selected for low offset and low input current to exploit the wide dynamic range of a SSI2164 VCA, but a standard TL07x provides adequate performance. The two VCA channels employed should reside within the same component to benefit from thermal and electrical parameter matching.

Transistor Q1 acts as a clamp on the control voltage. V_{CLAMP} , together with Q's base-emitter junction voltage drop, sets the level at which the control voltage is clamped. The recommended value for V_{CLAMP} is +2.7V giving the maximum 100dB attenuation. It can be sourced from a voltage divider across the positive power rail (e.g., for a +12V rail use a 3k:10k resistor divider), or a 2.7V Zener diode and suitable load resistor. The 1kΩ resistor stabilizes the opamp loop when the transistor turns on. Because the resistor is inside the opamp feedback loop it has no effect on the linear range or performance. Q1 should be a small signal high gain PNP transistor; for example BC557, 2N2907, or equivalent.

Modular systems also use exponential VCA control over the same positive-going 0V to 5V range. Figure 10 depicts a simple method whereby an op amp sums, inverts, and attenuates the control signal into a negative-going 3.4V signal range compatible with the SSI2164. The feedback resistor value can be adjusted for other signal ranges as needed, such as 34kΩ for the 0-10V control voltages.

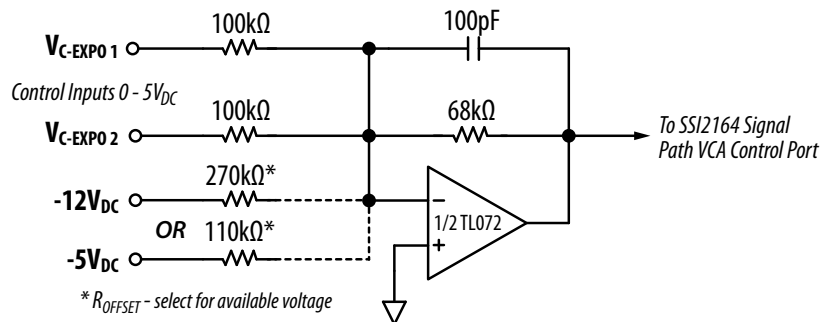


Figure 10: 0 – 5V Exponential Control Circuit

Ensuring 0 dB for maximum control voltage is achieved by summing a correction voltage which positively offsets the control output to ensure a 0V output for +5V input. Two different solutions are shown for commonly available voltages.

When a precise gain setting is required, a fixed resistor with a trimmer in series can substitute for R_{OFFSET} . Using the 12V example, a 240kΩ resistor with a series 50kΩ trimmer replaces the 270kΩ resistor shown.

Although the examples above show two control inputs, any number of control sources can be summed into the op amps input regardless of configuration type.

ACCURATE TEMPERATURE COMPENSATED EXPONENTIAL VOLTAGE TO CURRENT CONVERTER

By Dave Rossum

The basic bipolar junction transistor (BJT) exponential generator circuit was first conceived by Alan R. Pearlman of ARP Instruments in 1964. Pearlman knew BJTs accurately obey an exponential relationship between their base-emitter voltage and collector current:

$$I_C = I_S e^{qV_{be}/kT} \quad (1)$$

where I_C is the exponential collector current output, V_{be} is the base-emitter voltage differential, I_S is a temperature, geometry, and process dependent current specific to the BJT, T is the absolute temperature, q is the electron charge, and k is Boltzmann's constant. He realized that forcing a known reference collector current I_{REF} through one BJT of a matched pair, then adding the resulting voltage to the linear input voltage V_{IN} to form the base-emitter voltage of the other BJT of the pair, the variable I_S term could be eliminated:

$$I_C = I_{REF} e^{qV_{IN}/kT} \quad (2)$$

Pearlman did not deal with the q/kT term. This has been most commonly handled by using a resistor with a known temperature coefficient of 3300ppm/°C as a gain setting element in forming V_{IN} . The primary disadvantage of this approach has become the diminishing availability of such "tempco" resistors. An alternative approach, pioneered by Doug Curtis of CEM in 1979, uses a highly linear multiplier circuit whose gain is proportional to the absolute temperature, placed on the same die as the matched BJTs.

In 1999, Roman Sowa proposed using the SSM2164 as a temperature compensating multiplier to compensate for the q/kT factor, in a manner similar to what Curtis devised. The circuit has been used and refined by Osamu Hoshuyama, and Neil Johnson, among others. This note presents the theory and a practical circuit that has superior accuracy and temperature stability.

The SSI2164 improves upon the SSM2164 by using larger geometry transistors for Q1-Q4 (see Figure 4 in "Principle of Operation"). This makes the revised part more suited than its predecessors for exponential generation.

In Figure 11, the actual exponential generator is created using VCA2. I_{REF} is supplied by R_{REF} as a negative current to the VCA2 input, the exponential I_C is a negative current at the VCA2 output, and the linear control voltage is applied to the VCA2 control port. In this configuration, Q1 and Q2 are essentially off; Q3 is the reference transistor, and Q4 the exponential generator transistor. Note a negative output current is used so as to avoid the lateral PNP transistor current mirror reflecting the output current; a positive current exponential generator thus formed would also work, but is somewhat less accurate.

VCA1 is the q/kT temperature compensating element. The gain G of the SSI2164 is:

$$G = I_{OUT} / I_{IN} = e^{-qAV_{CTL}/kT} \quad (3)$$

where G is the VCA current gain, I_{OUT} and I_{IN} are the VCA output and input currents respectively, V_{CTL} is the SSI2164 control port voltage, and $A = 0.1$, the internal 9k:1k ohm attenuation of the SSI2164 control port.

Combining (2) and (3) to represent VCA1 and VCA2 together as in Figure 11:

$$I_C = I_{REF} e^{\left(\frac{qe}{kT} - \frac{qAV_{CTL}}{kT}\right)} \quad (4)$$

The argument of the first exponential should have a zero temperature coefficient:

$$0 = d\left(\frac{qe}{kT} - \frac{qAV_{CTL}}{kT}\right) / dT = \frac{-q(kT - qAV_{CTL})e^{-\frac{qAV_{CTL}}{kT}}}{k^2T^2} \quad (5)$$

Thus when $V_{CTL} = kT/Aq$, the circuit is temperature stable. Picking $T = 325K$, a temperature in the middle of the expected die temperature range (note 1):

$$V_{CTL} = \frac{1.3807 \times 10^{-23} \times T}{0.1 \times 1.602 \times 10^{-19}} = 0.2801V \quad (6)$$

The final issue is the accuracy of the exponential function itself. While equation (1) applies for an ideal transistor, real transistors have a measurable series emitter resistance R_e . In the case of the SSI2164, R_e is modeled at 0.63Ω. As a result, at (for example) an exponential output current of 320μA, the effective V_{be} will be low by about $320\mu A \times 0.63\Omega = 200\mu V$, an error of about 0.75%. This error can be compensated by a second exponential generator (in this case, VCA3 as shown in Figure 11) having the same reference current, a portion of whose output current is routed to the control voltage op amp. Exact compensation is achieved when:

$$R_e = \frac{AR_F R_{GND}}{R_{GND} + R_{COMP}} \quad (7)$$

Note that this compensation circuit can also handle any other errors which are linear with the output current, such as the discharge time of a sawtooth oscillator.

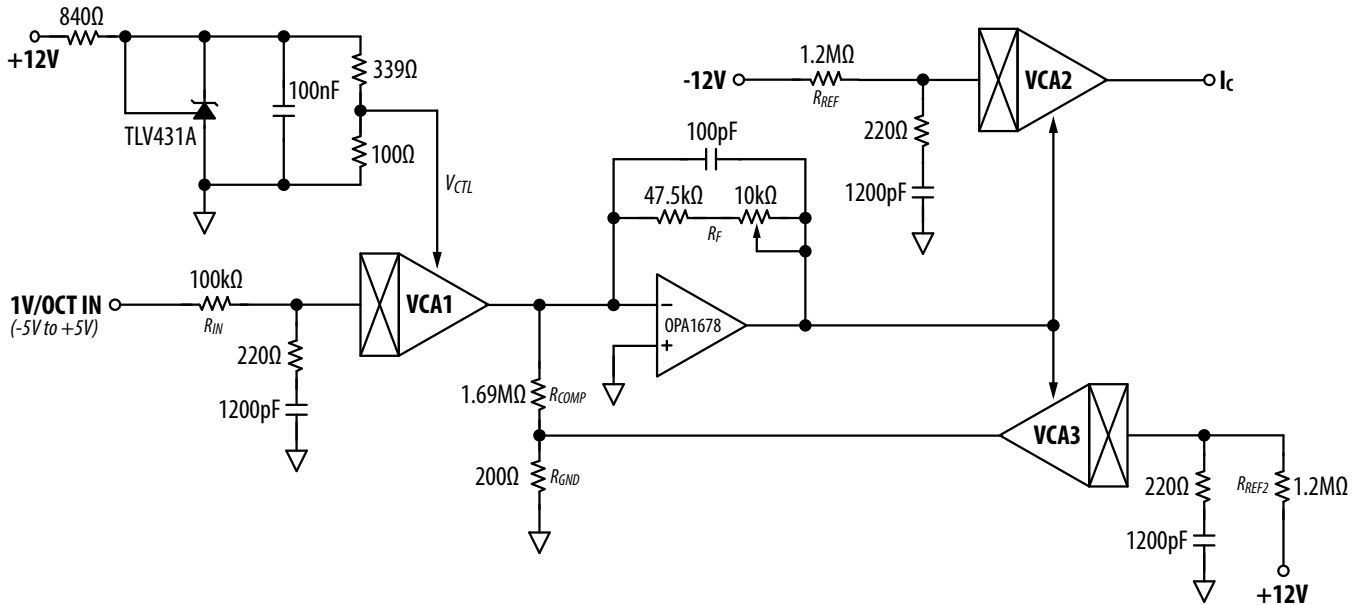


Figure 11: Temperature-Compensated Exponential Voltage to Current Converter

Design Procedure

1. Choose an operating temperature, and use equation 6 to determine V_{CTL} (notes 1 and 2).
2. Choose an input impedance R_{IN} for the 1V/octave input, in this case $R_{IN} = 100k\Omega$. The input to VCA1 is a current summing node, so other control voltage inputs can be summed here.
3. Compute the nominal value of $R_F = R_{IN} \times V_{CTL} \times e \times \ln 2 = 52.78k\Omega$ in this case. Typically R_F will be implemented by a fixed value and a series 1V/oct trimmer whose total nominal value is R_F .
4. Choose a reference current I_{REF} , the output current when no current is applied to the input summing node, in this case $10\mu A$.
5. Select a negative reference voltage V_{REF} , in this case the -12V supply (note 3), and determine the value of $R_{REF} = R_{REF2} = -V_{REF}/I_{REF} = 1.2M\Omega$.
6. Choose an upper limit for optimal accuracy, in this case 5 octaves, and determine the maximum accurate output current $I_{MAX} = I_{REF} \times 2^5 = -320\mu A$.
7. Choose a convenient value for R_{GND} such that at $V = -R_{GND} \times I_{MAX}$ is between 50mV and 100mV, in this case $R_{GND} = 200\Omega$.
8. Compute the value of $R_{COMP} = A \times R_F \times R_{GND}/R_e - R_{GND}$, in this case $1.69M\Omega$. You can adjust R_e for any other systematic errors linear with output current.
9. The op amp should have low input offset voltage and bias current and temperature coefficients. An OPA1678 is recommended.

SPICE simulations indicate that the circuit of Figure 11 is exponentially accurate to $\pm 0.12\%$ over 10 octaves at a die temperature of 325K, and maintains its accuracy over 10 octaves and temperatures from 310K to 330K ($20^\circ C - 40^\circ C$ ambient) to within 0.25%.

Additional Notes

1. SSI2164 current consumption is typically 6mA when in class AB mode (recommended), or 144mW at $\pm 12V$ supplies. The SOP16 package typical junction to ambient thermal resistance is $118^\circ C/W$, predicting a die temperature $17^\circ C$ above ambient. Assuming ambient to be nominally $35^\circ C$, the nominal die temperature is $52^\circ C = 325K$. Since the second order tempco error is larger at higher temperatures than lower, overestimating this nominal temperature is preferred.
2. V_{CTL} should be accurate to 1% or better; use of a band-gap reference is recommended, and if resistively divided, the source impedance kept low to eliminate any effect of the wide tolerance on the $10k\Omega$ control port input impedance of the SSI2164.
3. The negative voltage reference should be temperature stable to $100ppm/^\circ C$; while the negative power supply is used as illustration, most designs will use a more stable reference voltage. Also note a linear modulation of the output current can be implemented by adding a modulation current to I_{REF} at the VCA2 input summing node, and this linear modulation can potentially be "through zero."

VOLTAGE CONTROLLED FILTERS

The SSI2164 is ideally suited for design of voltage controlled filters. For a deep-dive into the subject, please see AN701 “Designing Voltage Controlled Filters using the SSI2164”.

3-POLE STATE VARIABLE FILTER WITH RESONANCE

The SSI2164, with its four gain cells, readily lends itself to the implementation of a 3-pole voltage-controlled state variable filter (SVF), with three gain cells implementing the three integrators and the fourth providing voltage control of the resonance. For musical applications the SSI2164’s exponential control response removes the need for an external exponential converter that would otherwise be needed for linear-in-octaves control of the cutoff frequency.

Theory

State variable filters of the kind described here are of the Kerwin, Huelsman, Newcomb “KHN” biquad structure (*Deliyannis, T., Sun, Y., Fidler, J., 1998. Continuous-Time Active Filter Design. Boca Raton: CRC Press*) requiring one inverting integrator for each pole and one summing amplifier. For a third-order filter the transfer function of the low pass output is of the form:

$$H(s) = \frac{F^3}{s^3 + D(Fs^2 + F^2s) + F^3}$$

where s is the Laplace operator, D is the damping coefficient, and F is the characteristic of the three integrators. Using the SSI2164 it is possible to remotely set both D and F giving full control over the filter’s behavior.

The KHN biquad concurrently provides multiple filter modes taken from the outputs of the summing amp and the integrators. With the addition of further summing amps it is possible to generate yet more filter modes (e.g., notch pass) by combining two or more of the direct outputs. Graphs that follow provide responses of many popular filter modes that can be synthesized with this filter design.

Circuit Description

The schematic of the three-pole filter is shown in Figure 12. Each integrator comprises a single SSI2164 gain cell together with an opamp and integrating capacitor. Low noise FET input opamps such as OPA1678 are preferred for the integrators, together with good quality capacitor dielectrics (e.g., COG/NPO, polystyrene, polycarbonate) for the integrating capacitors; however TL072 opamps shown in Figure 18 offer a reasonable level of performance. While the KHN SVF is quite insensitive to component tolerances it is recommended that 1% or better components are used in the integrators. One should avoid loading outputs of the integrators too heavily in order to maintain high frequency performance. For the values shown, a frequency control voltage range of 0V to 2V will cover the audio range of approximately 22Hz to 22kHz.

The damping circuit based around the fourth SSI2164 gain cell controls the resonance – or Q – of the filter; its effect will depend on the specific filter mode being used. A control voltage of 0V gives maximum damping (minimum resonance); 1.75V and higher gives the lowest damping (highest resonance). Scaling to suit external control voltages may be necessary. It is interesting to note that a small negative control voltage applied to the damping gain cell will apply increasing amounts of damping; for example, this has the effect of broadening the passband of the BP2 mode. Two back-to-back 2V7 zener diodes limit the main loop feedback signal to $\pm 3.3V$. This is necessary due to the TL072’s phase reversal behavior which would otherwise lock up the filter loop.

Amplitude control when the filter is at maximum resonance, resulting in self-oscillation, is implemented with anti-parallel 1N4148 diodes and a scaling network – the values shown set the oscillation amplitude to around 1.8Vrms ($\pm 2.5V$, or 5V peak-to-peak). Adjust according to taste. The small capacitor C_x compensates for Q -enhancement in the filter core, keeping the amplitude of self oscillation constant at high frequencies. Its value will need selecting for a particular implementation; 220pF is a good starting point.

Filter Modes and Response Graphs

The following graphs demonstrate basic modes possible from this filter. These are produced either as direct outputs from the filter itself, or through the combination of two or more filter outputs with a unity-gain summing amp. In some cases one of the filter outputs is required to be inverted, which can either be done with a unity inverter, or instead implement a differential amplifier. Variations of these modes can be generated by applying gains other than unity to the inputs of the summing amps.

The number in the filter mode identifies, where applicable, the equivalent number of poles, with each pole adding -6dB/octave (-20dB/decade) to the filter cutoff slope. Some modes combine two simpler modes; for example, “HP2LP1” is a 2nd-order High Pass and 1st-order Low Pass combined filter response. The all-pass (AP) modes require a Q of exactly 2.0 (a CV of about 93 mV) to produce a flat gain as expected. Also note that the two All-Pass plots show phase response as the gain response is flat.

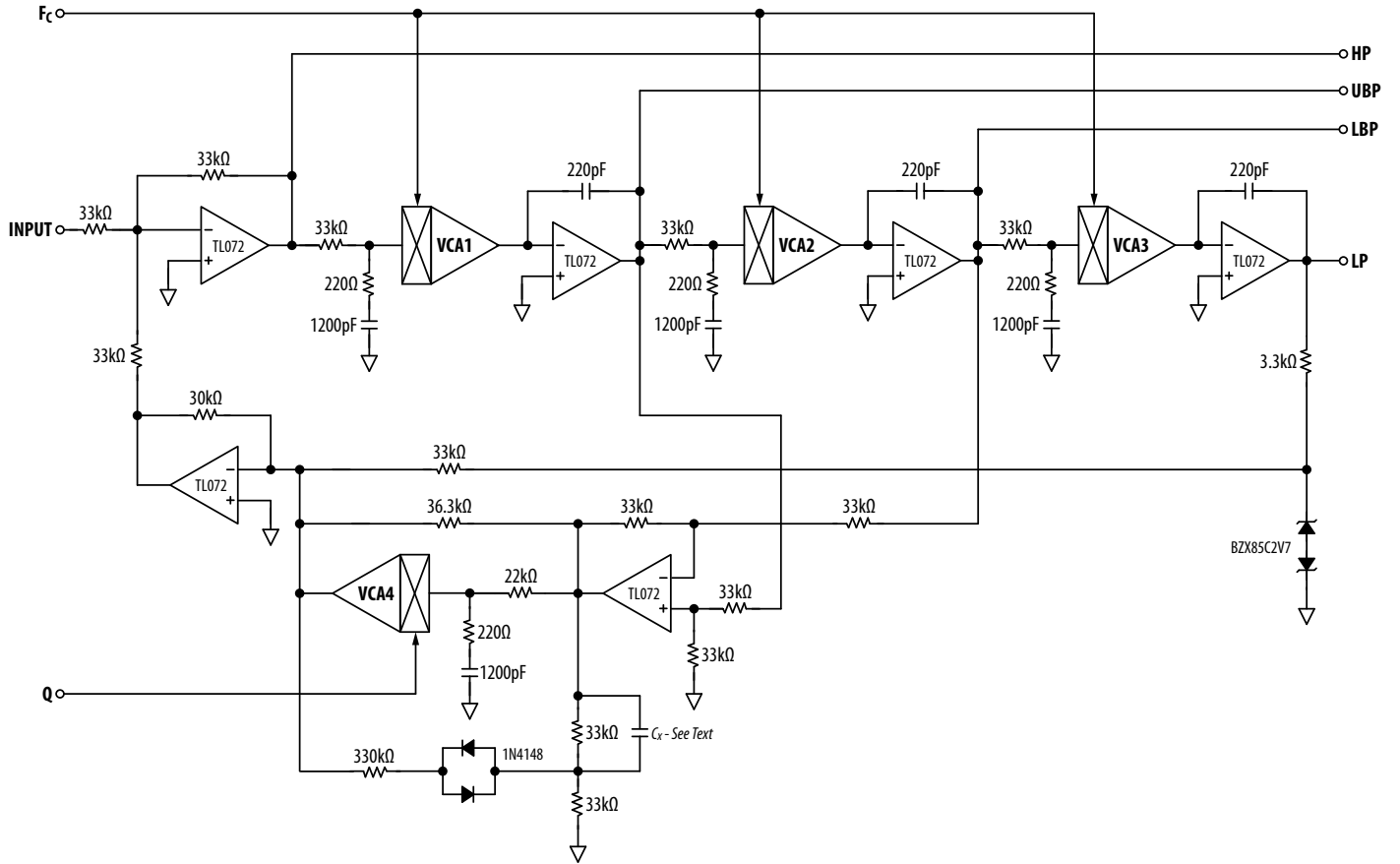
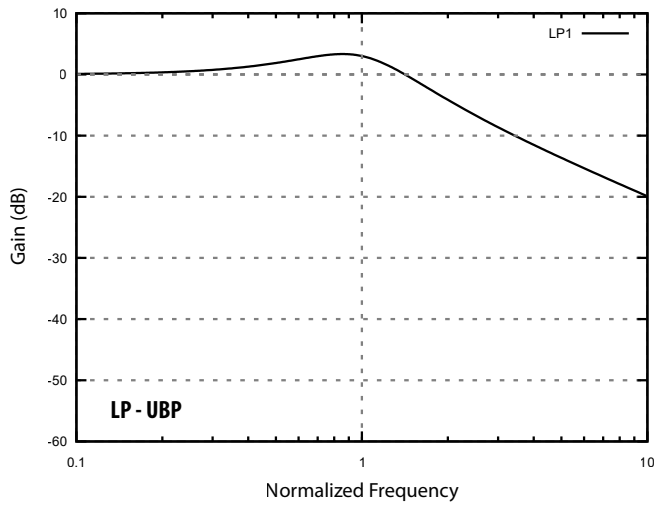
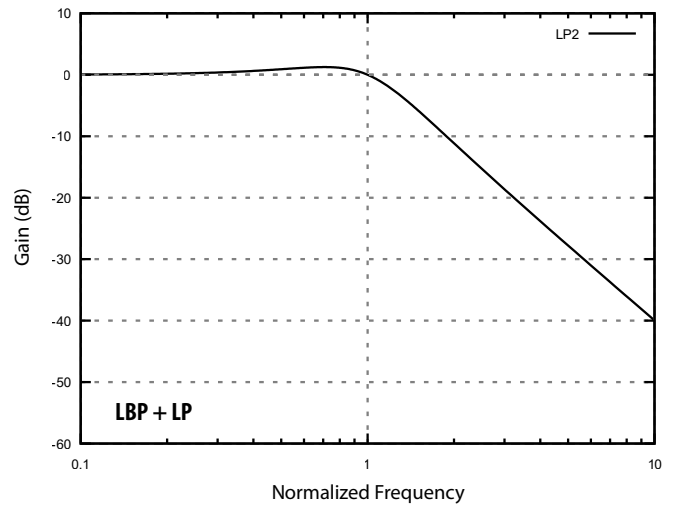


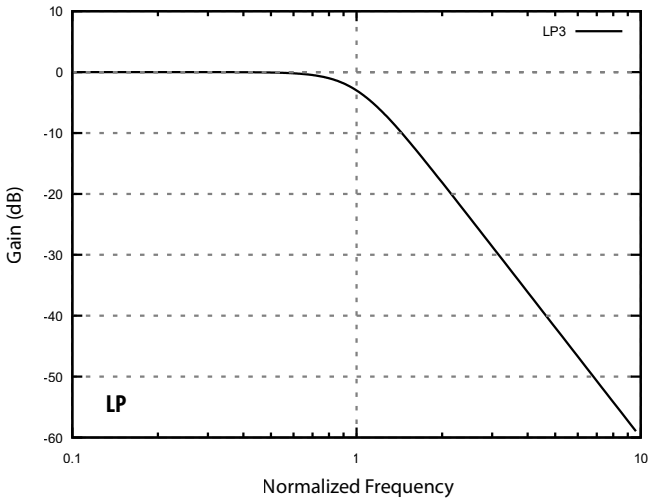
Figure 12: 3-Pole State Variable Filter with Resonance



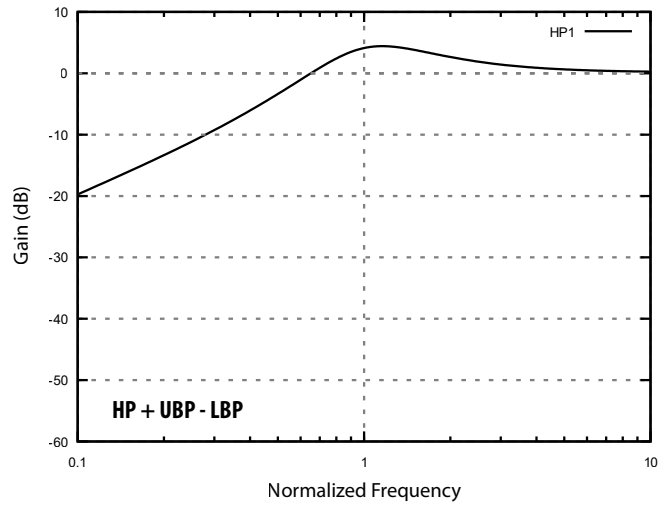
Single Pole Low-Pass



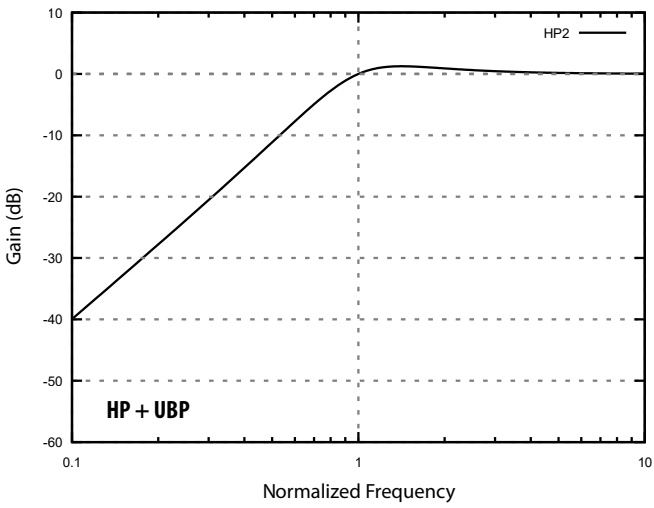
Two Pole Low-Pass



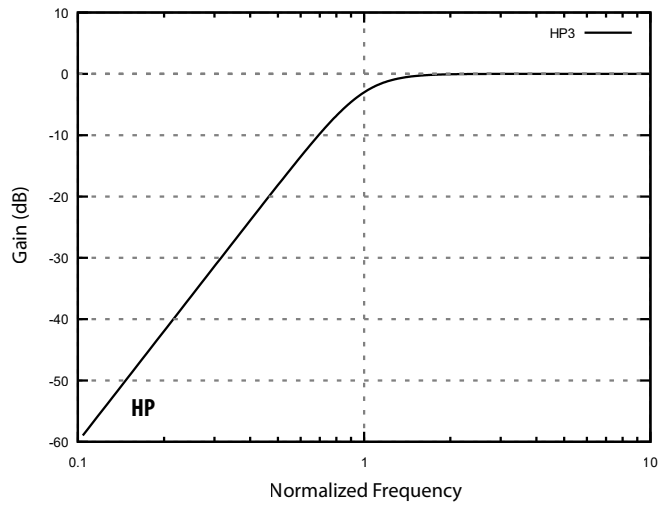
Three Pole Low-Pass



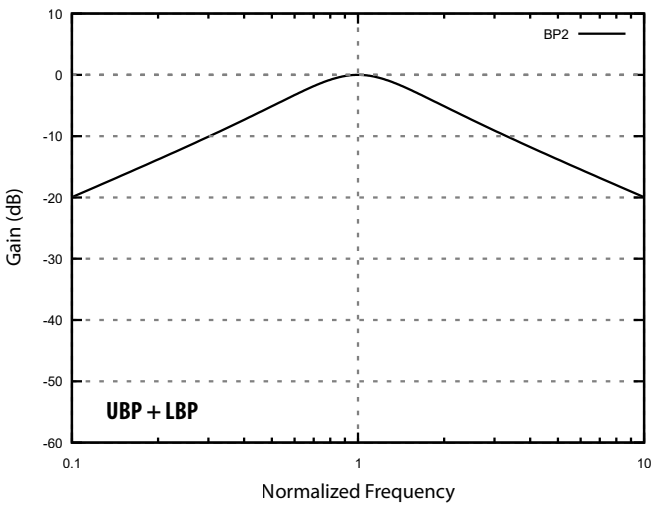
Single Pole High-Pass



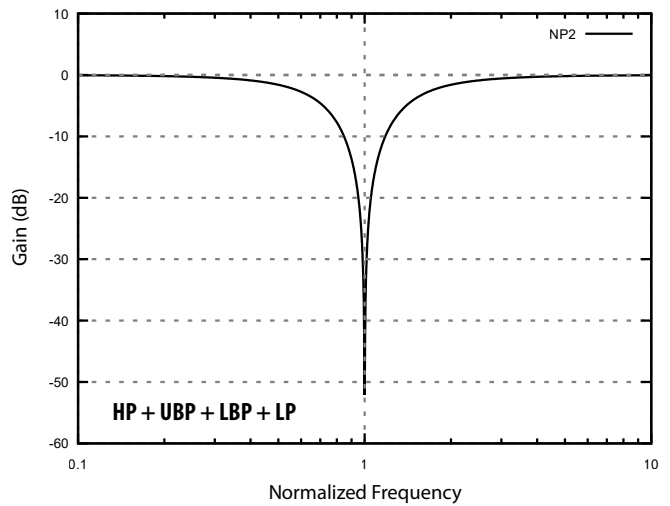
Two Pole High-Pass



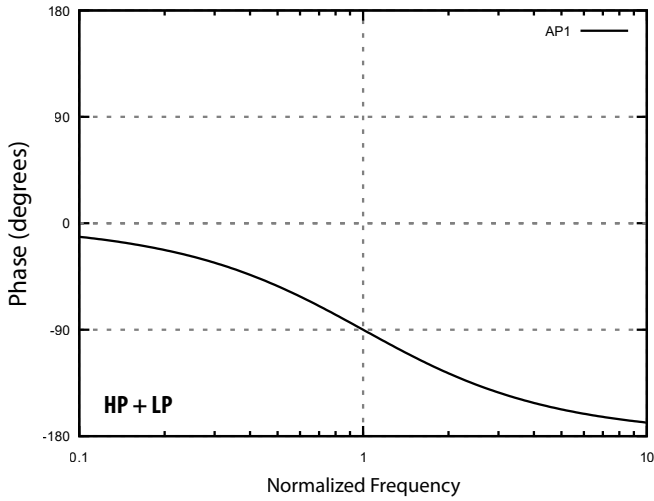
Three Pole High-Pass



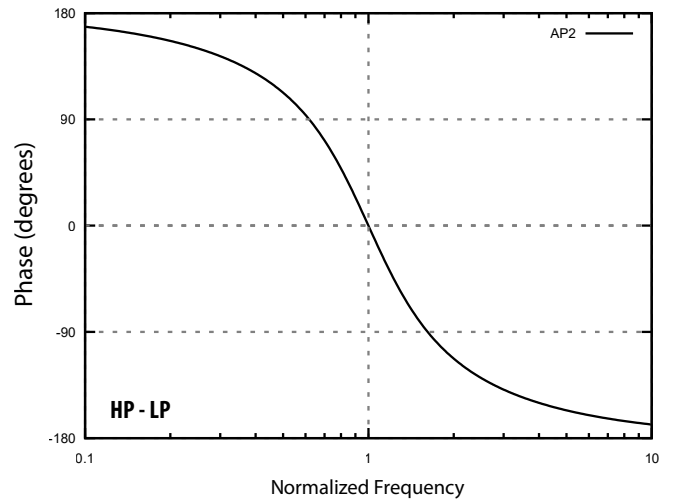
Two Pole Band-Pass



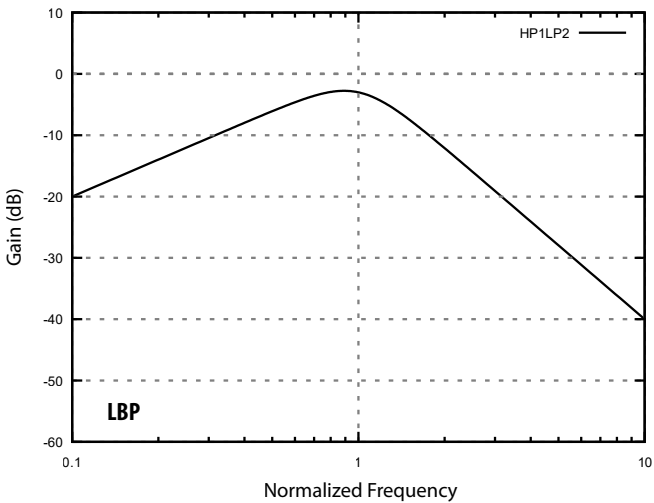
Two Pole Notch-Pass



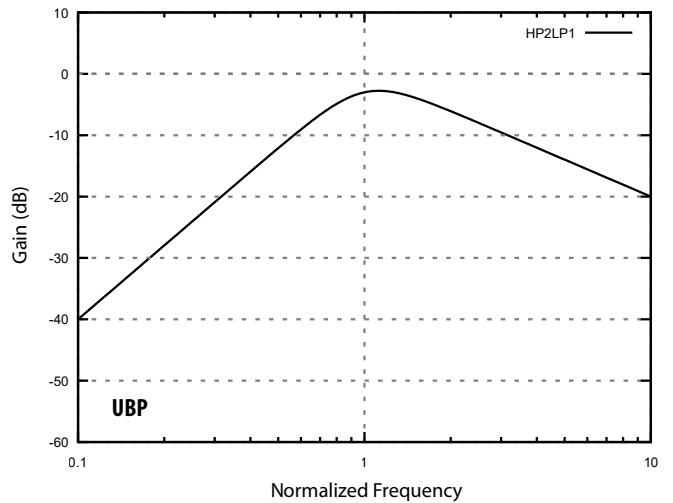
Single Pole All-Pass



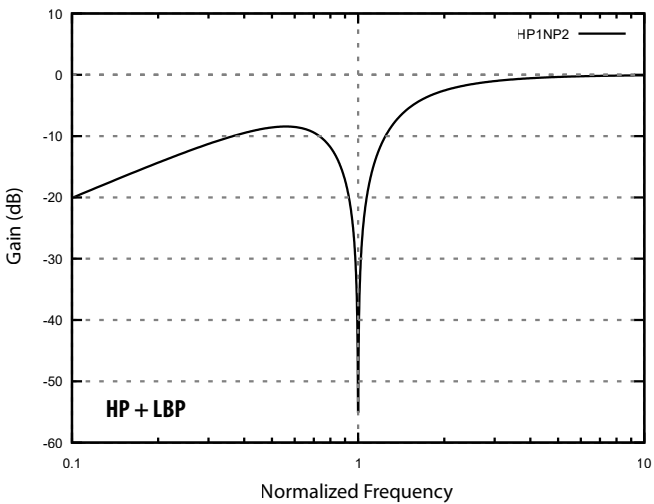
Two Pole All-Pass



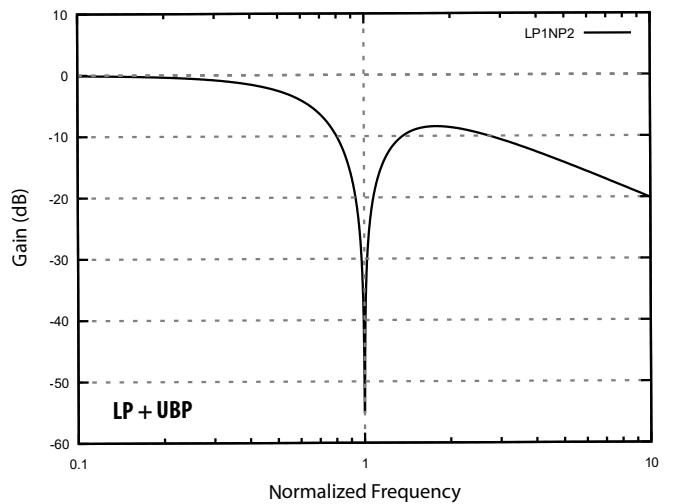
Single Pole High-Pass with Two Pole Low-Pass



Two Pole High-Pass with Single Pole Low-Pass



Single Pole High-Pass with Two Pole Notch-Pass



Single Pole Low-Pass with Two Pole Notch-Pass

ECONOMICAL LFO

The following circuit was designed to replace a 555 timer while adding voltage control of frequency over a wide range. The core circuit comprises one SSI2164 channel and a FET op amp input stage.

In this application the SSI2164 directly drives the integrating capacitor C. However, by holding the range of voltage across C to within $\pm 100\text{mV}$, the output of the SSI2164 mostly behaves itself. The two anti-parallel diodes set the output to approximately $\pm 600\text{mV}$ and the $10\text{k}/49.9\text{k}\Omega$ resistor network attenuates to $\pm 100\text{mV}$ for the comparison thresholds. C sets the usable operating range, and the $3.9\text{M}\Omega$ resistor ensures oscillation at the low end. Higher output voltages can be taken directly from the op amp's output pin, then scaled and ranged as needed.

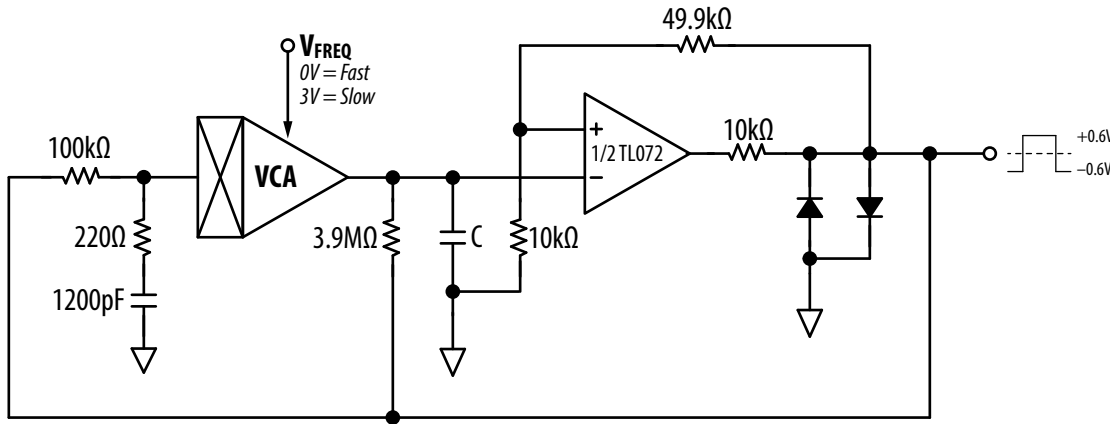
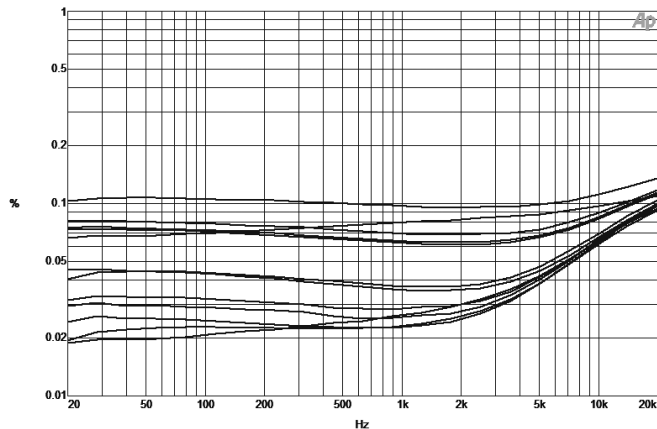


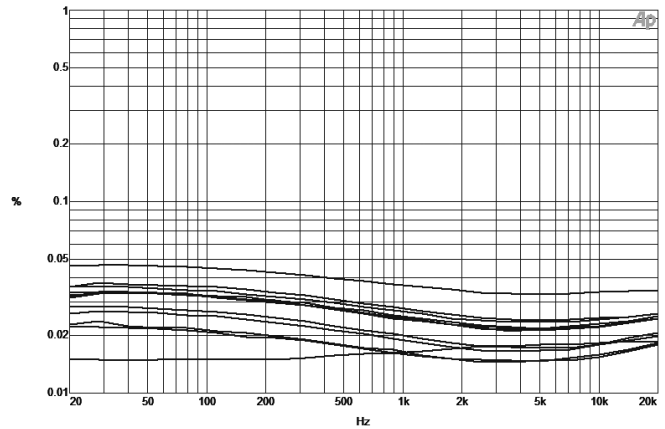
Figure 13: Economy LFO

TYPICAL PERFORMANCE GRAPHS*

Figure 1 Application Circuit at $V_S = \pm 15\text{V}$, $A_V = 0\text{dB}$, $V_{IN} = 0\text{dBu}$, $R_{IN/OUT} = 20\text{k}\Omega$, $f = 1\text{kHz}$; unless otherwise noted

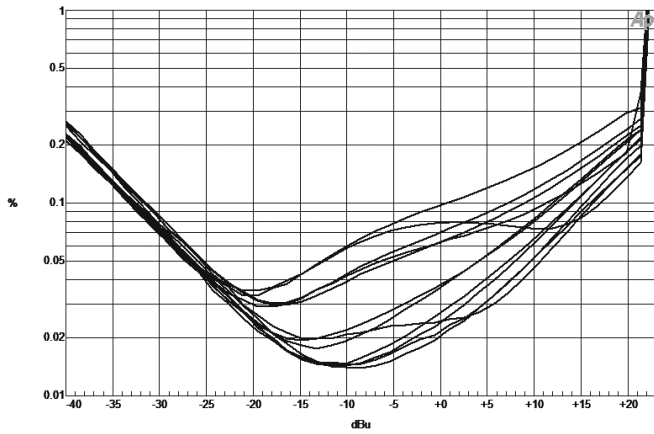


THD+N vs. Frequency Distribution - 12 Channels
Class AB, 22Hz - 80kHz Filter

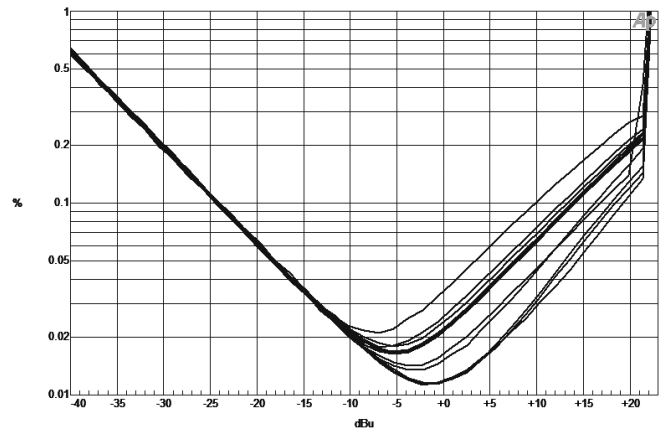


THD+N vs. Frequency Distribution - 12 Channels
Class A, 22Hz - 80kHz Filter

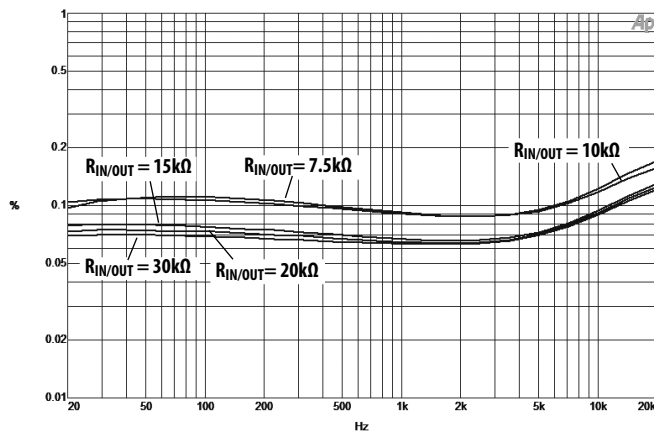
***About THD+Noise data.** As the name implies, THD+N measures total harmonic distortion *and* noise. In all cases, THD *without* noise will be lower than shown. The noise component will increasingly dominate graph data as signal levels decrease, for example, in THD+N vs. Amplitude graphs. Similarly, an otherwise “apples to apples” comparison between two lines under different noise conditions such as Class A vs. Class AB or differing R_{IN} values may be affected. While one might dismiss the value of THD+N noise measurements, recall that both distortion and noise are undesirable so such information therefore shows all the things you *don't* want, which may be very useful when setting design limits.



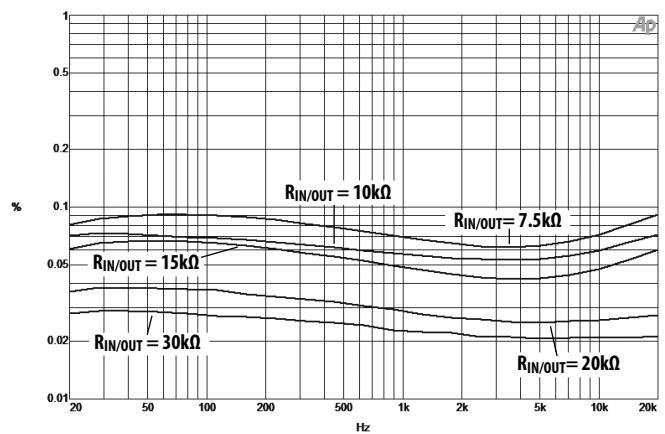
THD+N vs. Amplitude Distribution - 12 Channels
Class AB, <10Hz - 22kHz Filter



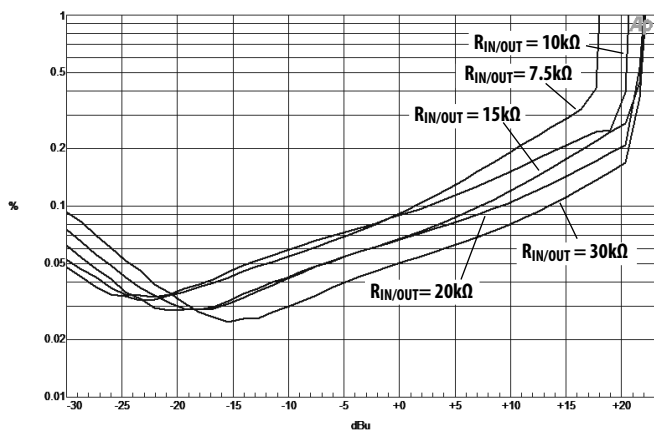
THD+N vs. Amplitude Distribution - 12 Channels
Class A, <10Hz - 22kHz Filter



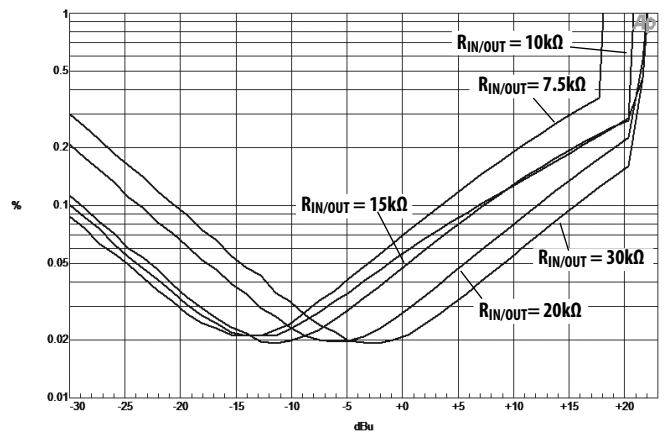
THD+N vs. Frequency vs. $R_{IN/OUT}$
Class AB, 22Hz - 80kHz Filter



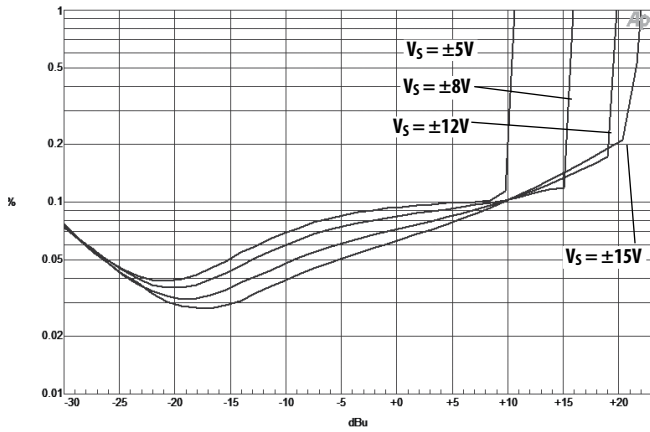
THD+N vs. Frequency vs. $R_{IN/OUT}$
Class A, 22Hz - 80kHz Filter



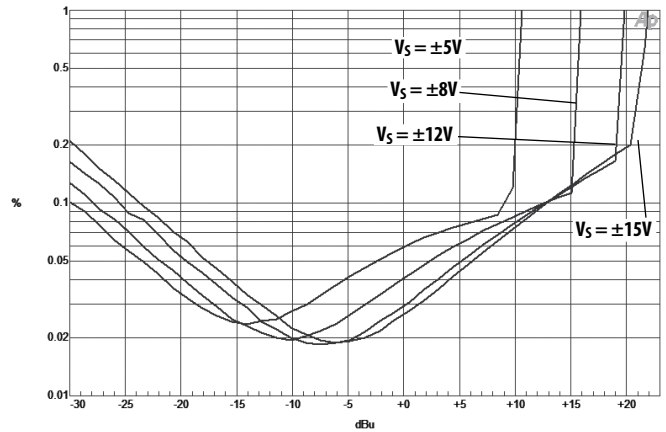
THD+N vs. Amplitude vs. $R_{IN/OUT}$
Class AB, <10Hz - 22kHz Filter



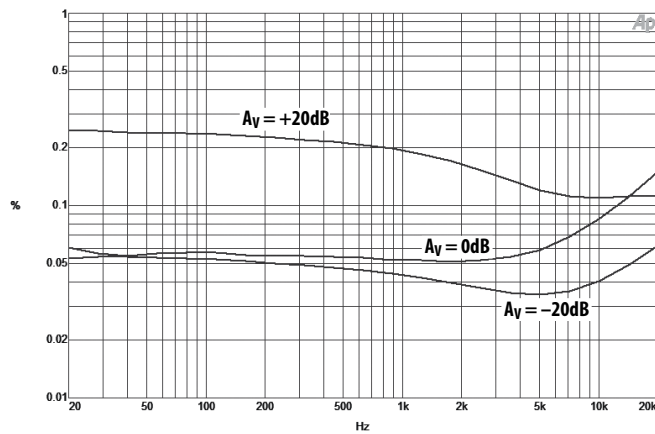
THD+N vs. Amplitude vs. $R_{IN/OUT}$
Class A, <10Hz - 22kHz Filter



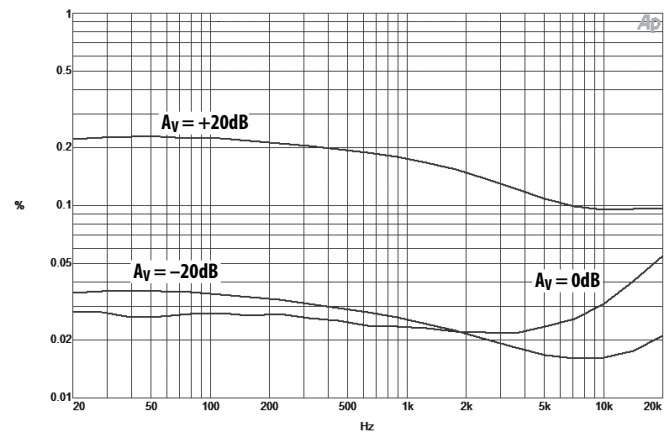
THD+N vs. Amplitude vs. Supply Voltage
Class AB, <10Hz - 22kHz Filter



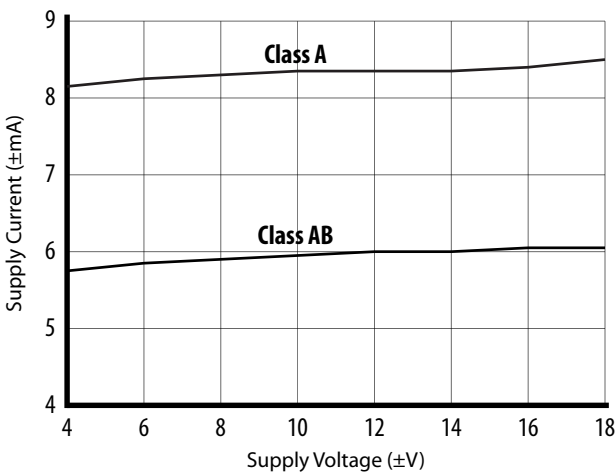
THD+N vs. Amplitude vs. Supply Voltage
Class A, <10Hz - 22kHz Filter



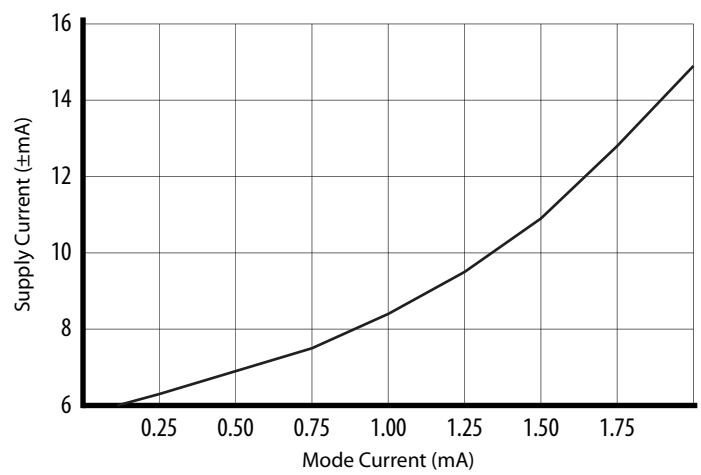
THD+N vs. Frequency vs. Gain
Class AB, 22Hz - 80kHz Filter



THD+N vs. Frequency vs. Gain
Class A, 22Hz - 80kHz Filter



Supply Current vs. Supply Voltage



Supply Current vs. Mode Current