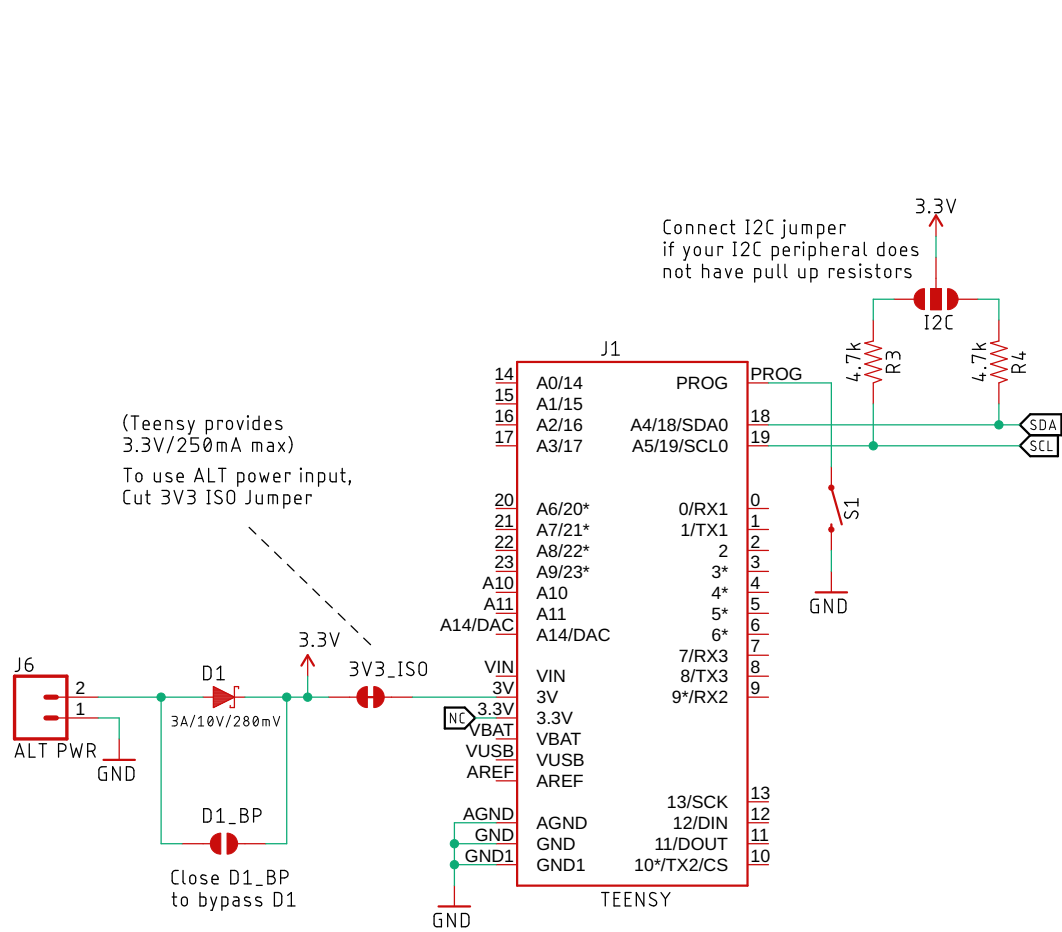
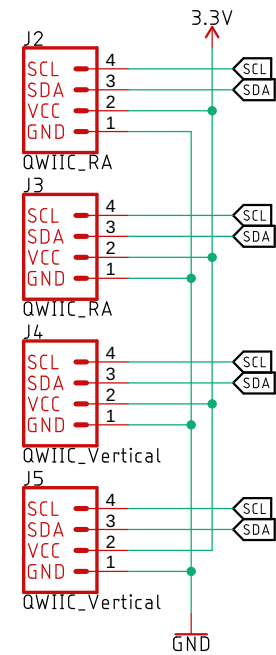



# Teensy Footprint

VCC: 3.3V (Qwiic)



# Qwiic Connectors



Released under the Creative Commons Attribution Share-Alike 4.0 License 

<https://creativecommons.org/licenses/by-sa/4.0/>

TITLE: Qwiic\_Shield\_for\_Teensy

Design by: Pete Lewis REV: v10

Date: 9/2/2020 1:58 PM Sheet: 1/1