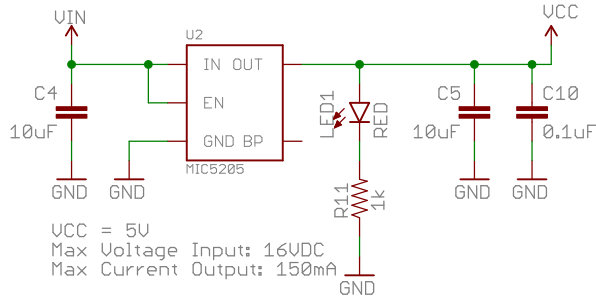
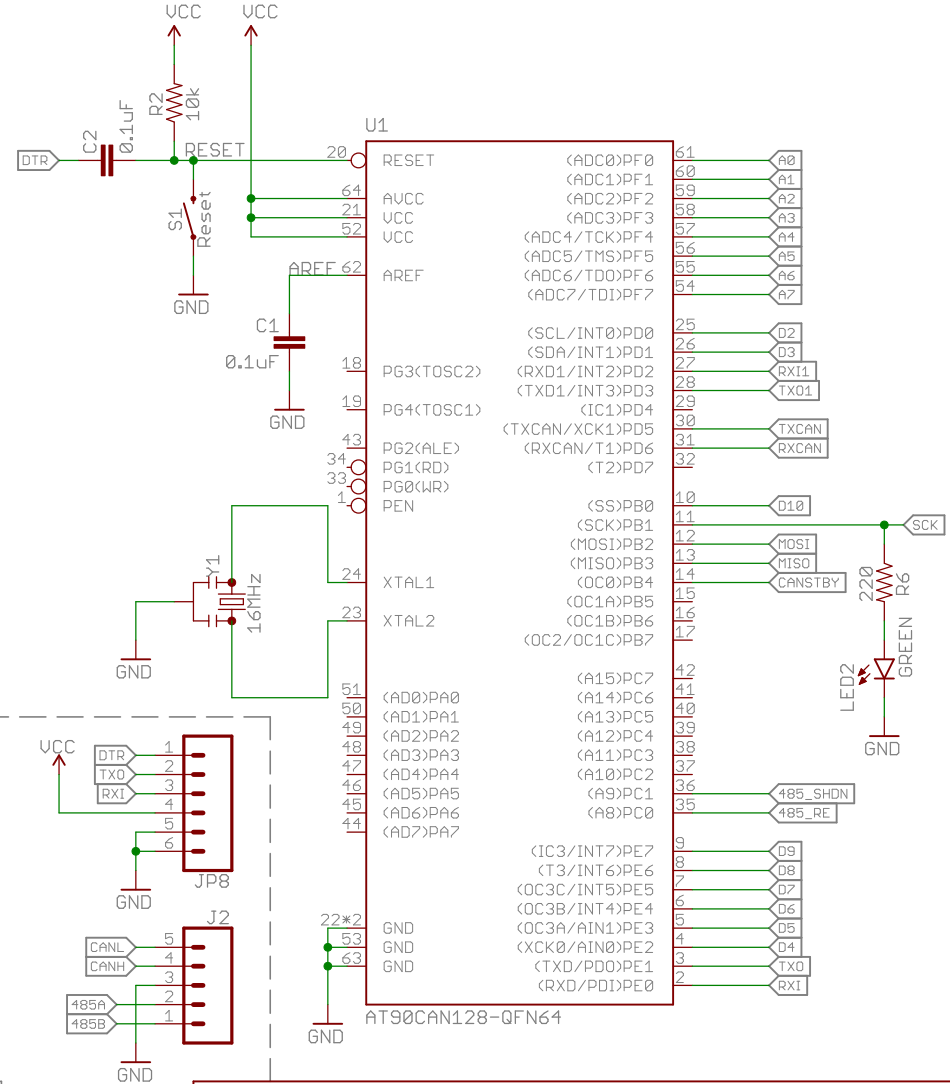


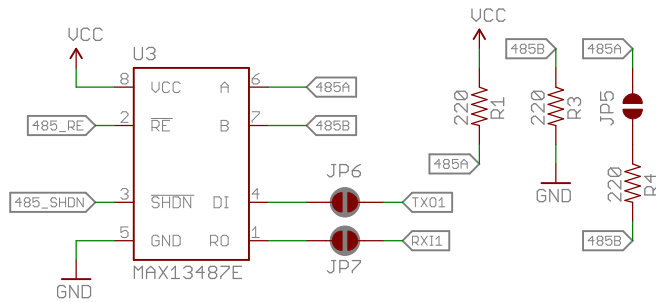
Voltage Regulation



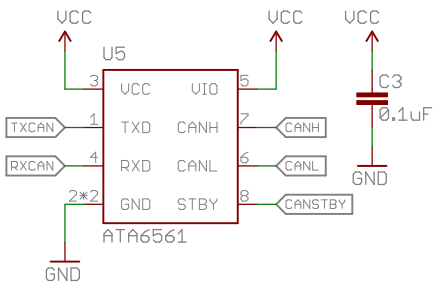
Microcontroller



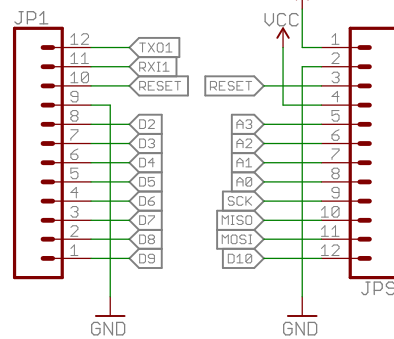
RS485 Transceiver



CAN Transceiver



Headers



Original Arduino Mini Design by Team Arduino
 Arduino Pro Mini Design by SparkFun Electronics



Special Instructions

Released under the Creative Commons Attribution Share-Alike 4.0 License
<https://creativecommons.org/licenses/by-sa/4.0/>

TITLE: SparkFun_AST-CAN485

Design by: AST
 Revised By: Alex Wende

REV:
 v10

Date: 1/12/2018 2:23 PM

Sheet: 1/1