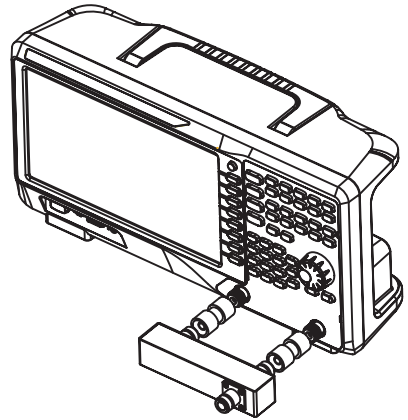


# RBSSA3X20 Reflection Bridge

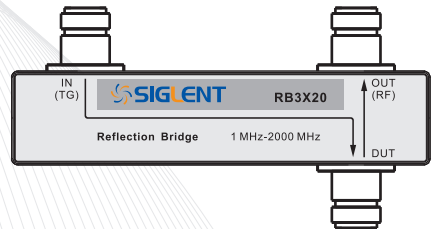
## Product Introduction

RBSSA3X20 is used in connection with SIGLENT SSA3000X series spectrum analyzer to measure parameter such as return loss, reflection coefficient and VSWR. The RBSSA3X20 also provide 2 N(M)-N(M) adapters to connect with SSA3000X' s ports.



## The reflection bridge has 3 ports as the figure shows:

- IN(TG): Signal input terminal. This terminal used to connect with the TG terminal of the spectrum analyzer
- OUT(RF): Signal output terminal. This terminal used to connect with the RF input terminal of the spectrum analyzer
- DUT: Here Device under test is connected



The distance of ports is designed for SSA3000X series especially in order to reduce extra cables and improve accuracy in measurement.

Parameters	RBSSA3X20		
Frequency range	1 MHz~2000 MHz		
Connector type	N ( Female )		
Adapter	N(male)-N(male)		
Impedance	50 $\Omega$		
Insertion loss	IN to DUT 5 dB ( typical )		
Directivity	1 MHz-1.5 GHz	1.5 GHz-1.8 GHz	1.8 GHz-2.0 GHz
	20 dB ( typical )	17 dB ( typical )	14 dB ( typical )
Size	136 mm × 75 mm × 30 mm		
	With package 256 mm × 190 mm × 43 mm		
Weight	0.3 kg		
	With package 0.5 kg		