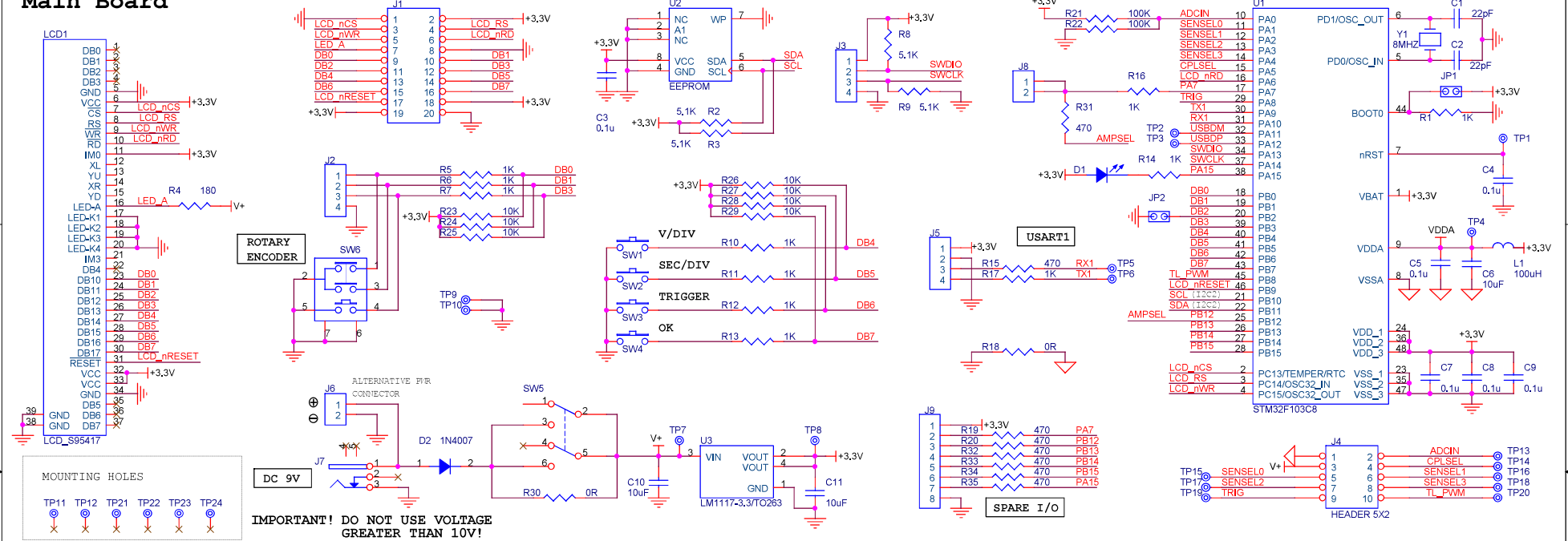


# Main Board



# Analogue Board

