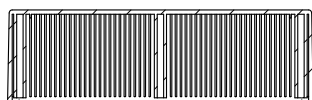


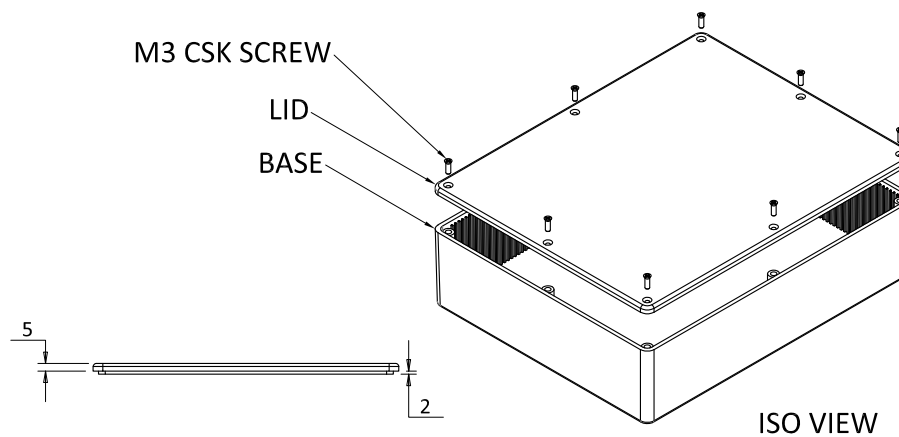
OVERALL ASSEMBLY DIMENSIONS:

EXTERNAL - 250 x 200 x 65

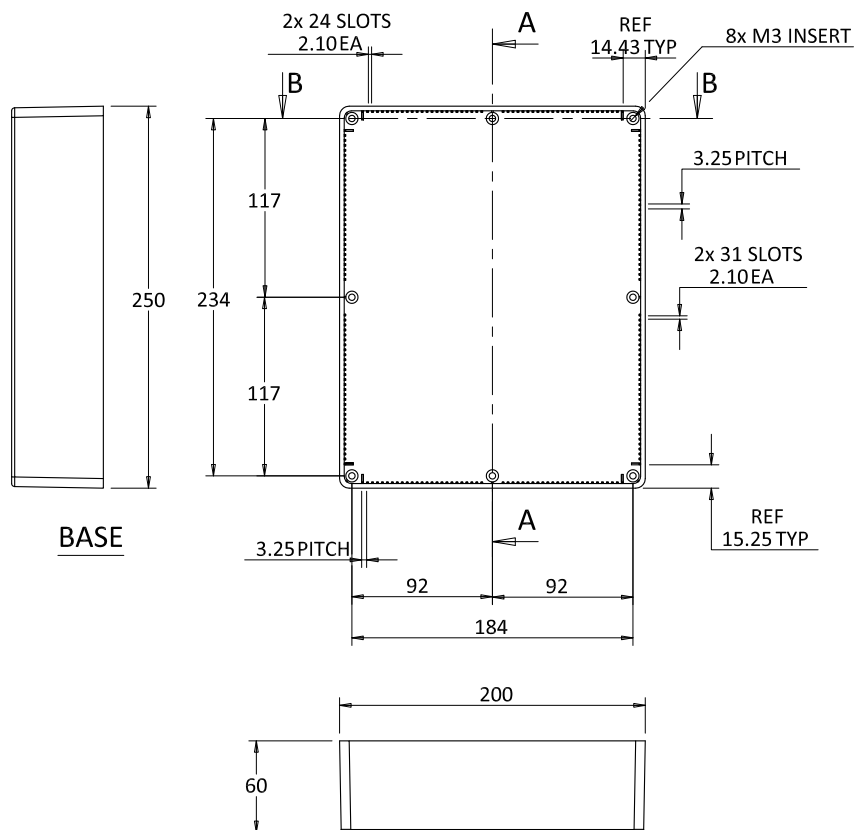
INTERNAL - 244 x 194 x 60.2



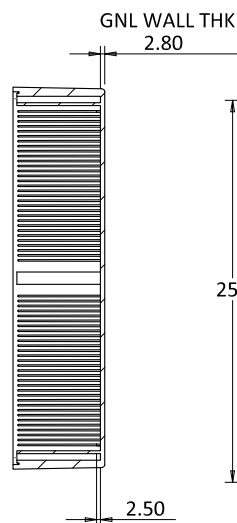
SECTION B-B



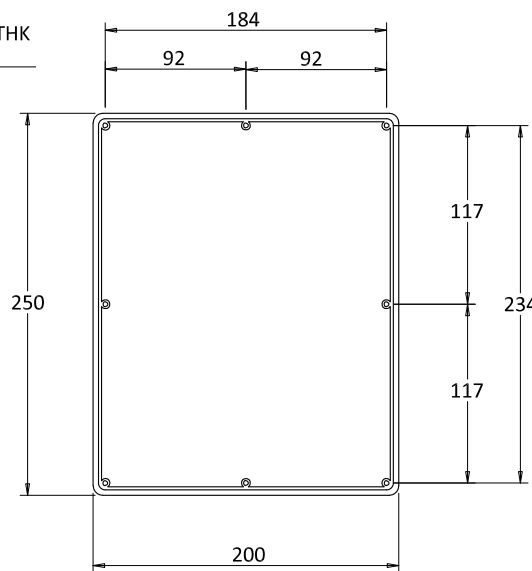
ISO VIEW



BASE



SECTION A-A



LID

UNLESS OTHERWISE SPECIFIED: DIMENSIONS ARE IN MILLIMETERS			
COLOUR GREY			
MATERIAL. ABS			
PROJECTION.		SCALE: 1 : 5	SHEET 1 OF 1