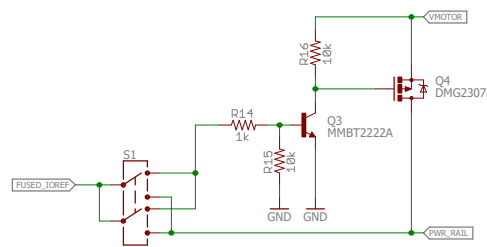
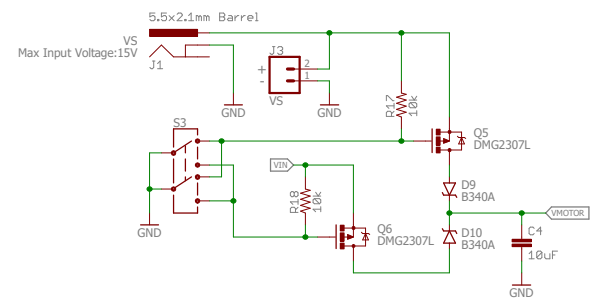


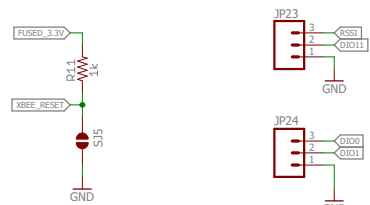
Level shifting circuit for XBEE



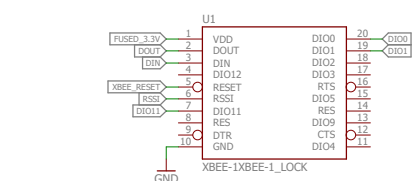
Power Rail Select Switch



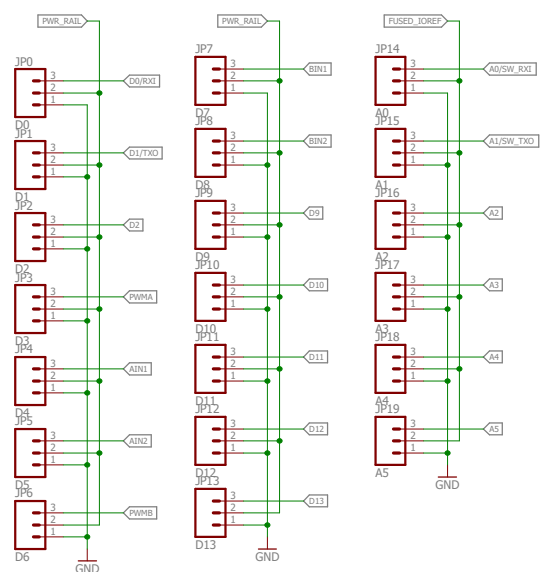
Power Input Select Switch



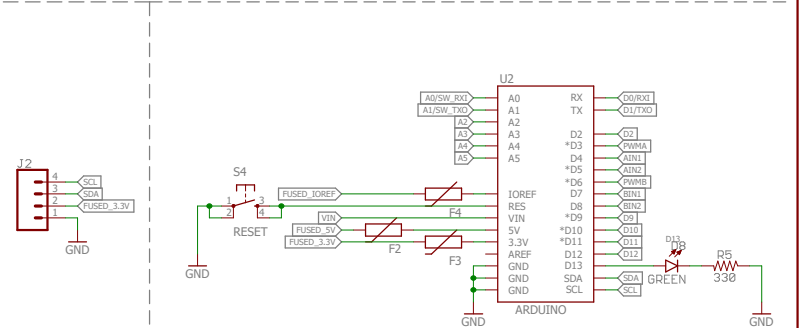
RESET Jumper provides easy access to reset the XBEE Radio Module using the flat end of a screwdriver or something comparable.



XBee Breakout

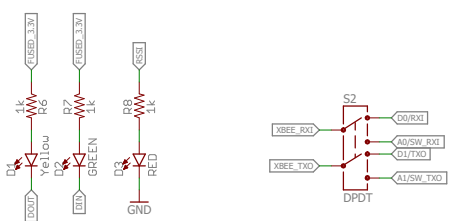


3 Pin Header Field

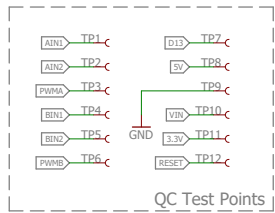


I2C Header

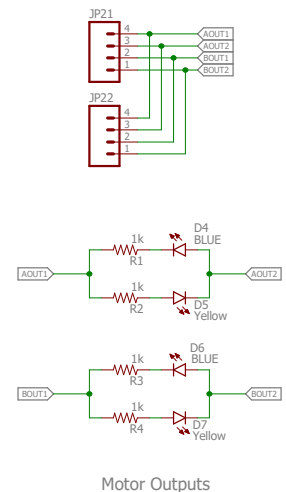
Arduino Shield



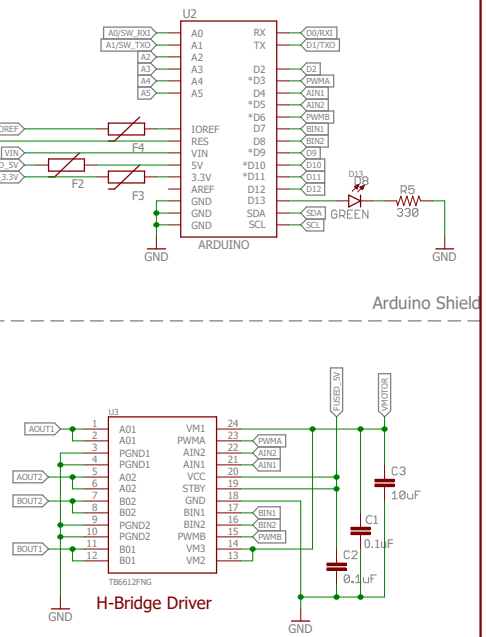
XBee Breakout



QC Test Points



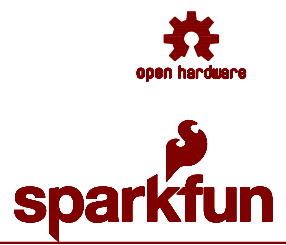
Motor Outputs



H-Bridge Driver

Max Input Voltage:15V  
Output Current: 1.2A (ave) / 3.2A (peak)

Dual Motor Driver:  
Motor A  
Motor B  
PWM (pin 3)  
AIN1 (pin 4)  
AIN2 (pin 5)  
PWM (pin 6)  
BIN1 (pin 7)  
BIN2 (pin 8)



Released under the Creative Commons Attribution Share-Alike 4.0 License <a href="https://creativecommons.org/licenses/by-sa/4.0/">https://creativecommons.org/licenses/by-sa/4.0/</a>		⊗ ⊗
TITLE: Wireless_Motor_Driver_Shield		⊗ ⊗
Design by: B. Huang	Revised by Shawn Hymel	REV: v14
Date: 6/26/2017 2:34 PM	Sheet: 1/1	