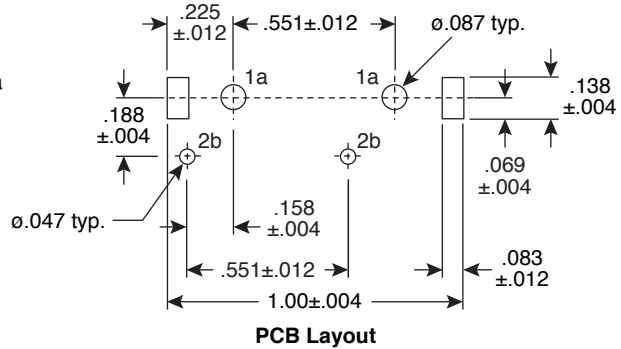
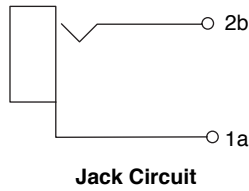
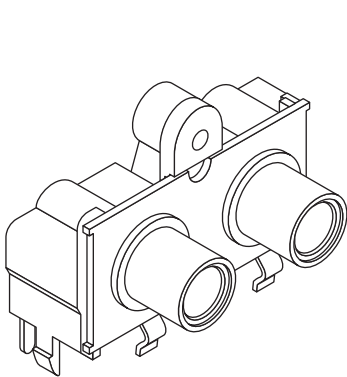
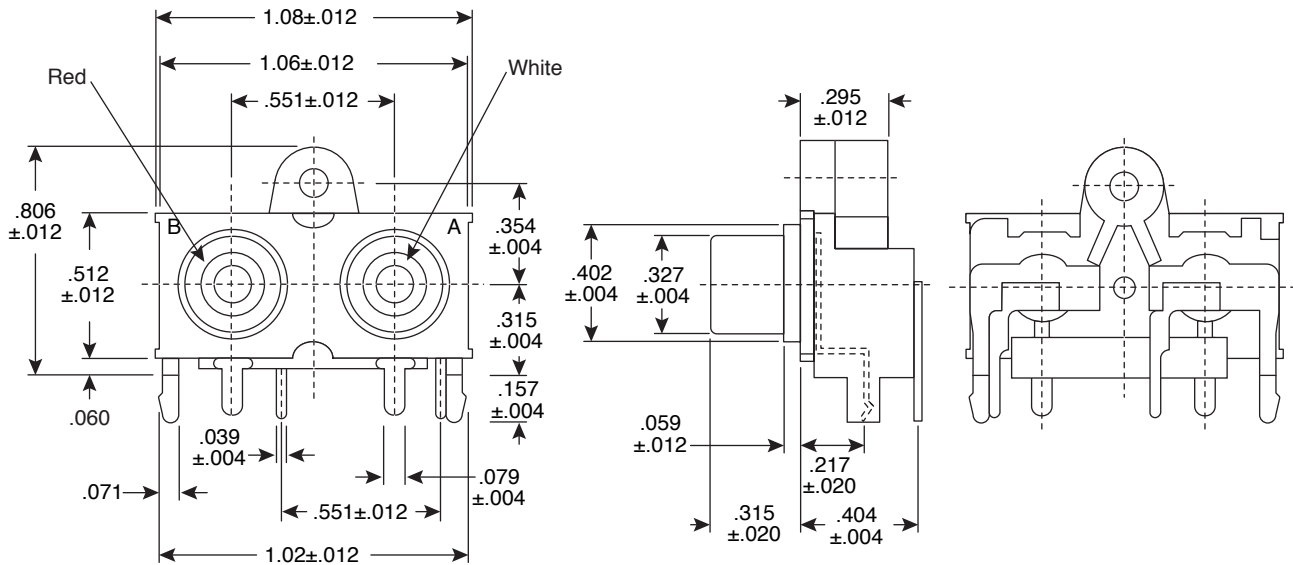


# PCB Dual Phono Jacks

161-4218-E, 161-4220-E



PCB Dual Phono Jacks



Dimensions: In.

	Finish
161-4218-E	Nickel Plated
161-4220-E	Gold Plated

SPECIFICATIONS	
Type:	PCB Dual Phono Horizontal Mount
Rated Voltage:	DC/AC 34V
Rated Current:	DC/AC 2A
Temperature Range:	-25° ~ +70°C
Humidity Range:	85% RH max.
Insulator, Base, Cover:	ABS
Earth Terminal:	Nickel Plated Brass
Terminals:	Tin Plated Brass
Insulator Color:	Red / White

161-4218-E, 161-4220-E