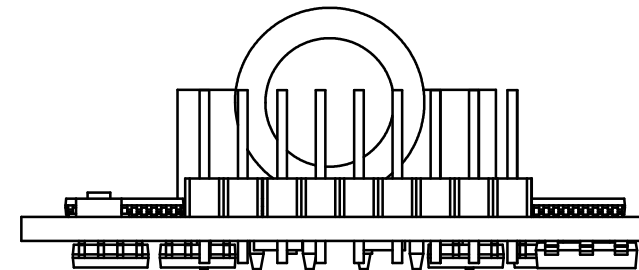
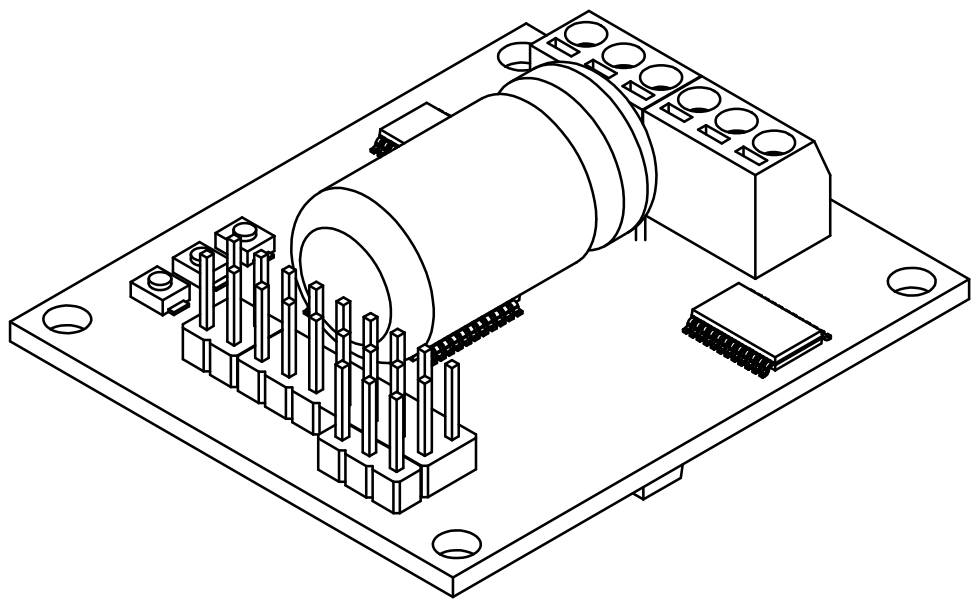
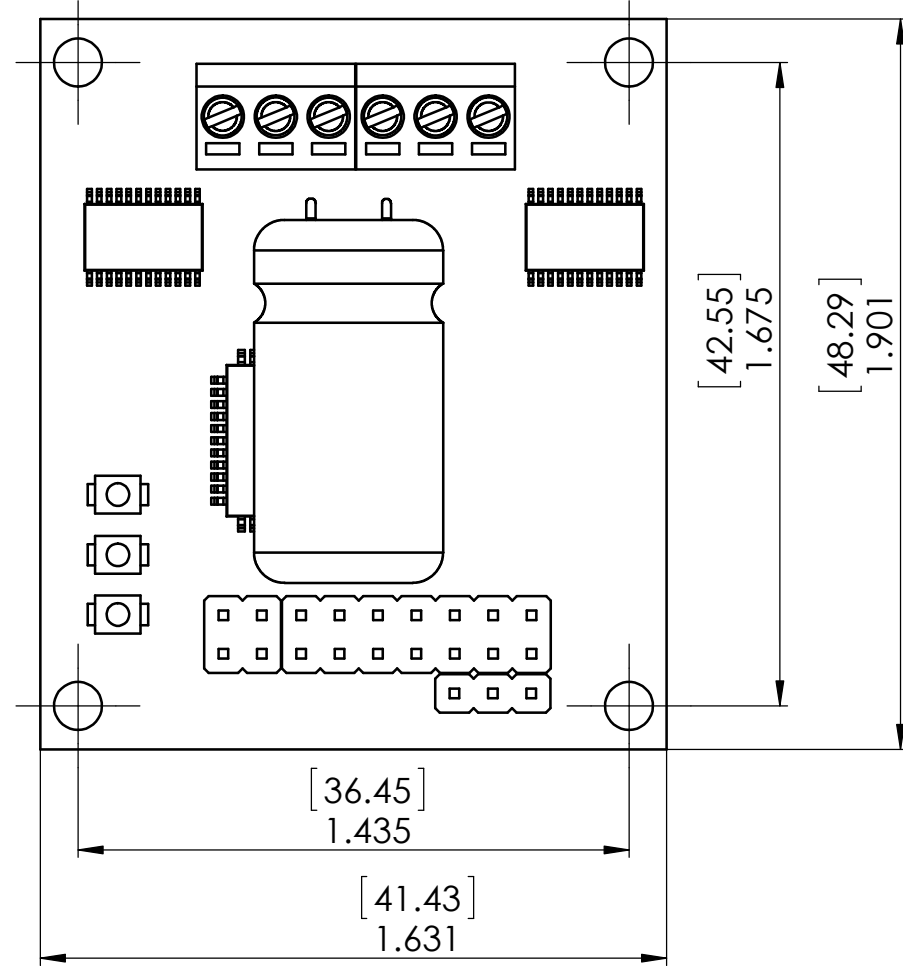
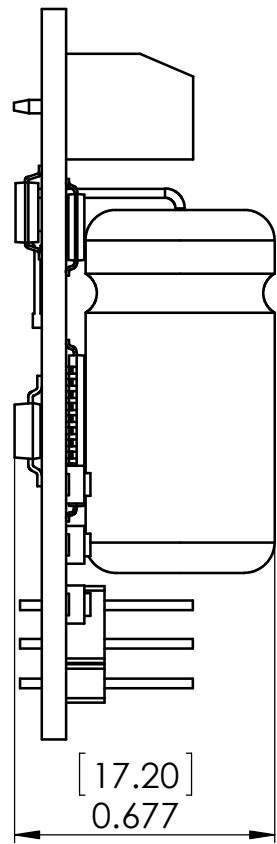



8 7 6 5 4 3 2 1

D
C
B
A



D
C
B
A

8 7 6 5 4 3 2 1

UNIT:	INCH[MM]	MATERIAL:		
TOLERANCES UNLESS OTHERWISE SPECIFIED		FINISH:		
ANGULAR:	± 1.0°	SCALE:	SHEET NO:	<small>THIS PRINT AND THE INFORMATION CONTAINED THERIN ARE PROPERTY OF DALE KUBIN. ARE FURNISHED TO THE HOLDER IN CONFIDENCE AND ARE NOT TO BE REPRODUCED, USED OR DISCLOSED TO OTHERS WITHOUT THE EXPRESS WRITTEN PERMISSION OF DALE KUBIN.</small> PART NAME MC5A-DIMENSIONS-V4
DECIMAL .X	± 0.1	2:1	1 OF 2	
DECIMAL .XX	± 0.01	DRAWN BY: Vinh		
DECIMAL .XXX	± 0.005	DATE: 11/27/2014		
COMMERCIAL TOLERANCES SHALL APPLY ON BAR ROD, WIRE, SHEET, ETC.		APPROVED BY:		PART NO. MC5A REV 1