

CONTENTS :

PAGE1 - CONTENTS

PAGE2 - POWER, XOSC

PAGE3 - CSI, DSI, JTAG

PAGE4 - SD/eMMC, USB, HDMI, GPIO, COMPOSITE

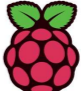
PAGE5 - SODIMM

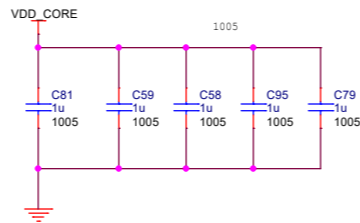
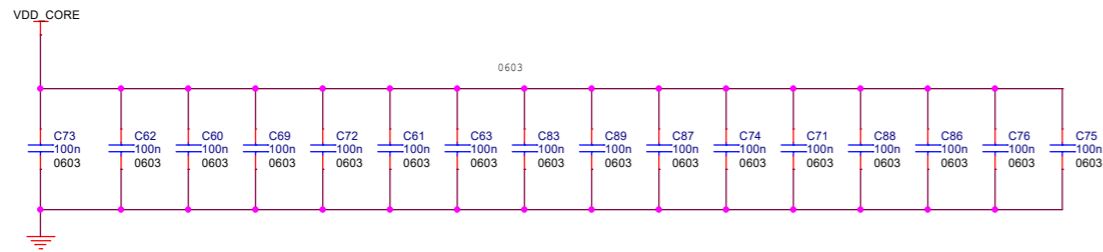
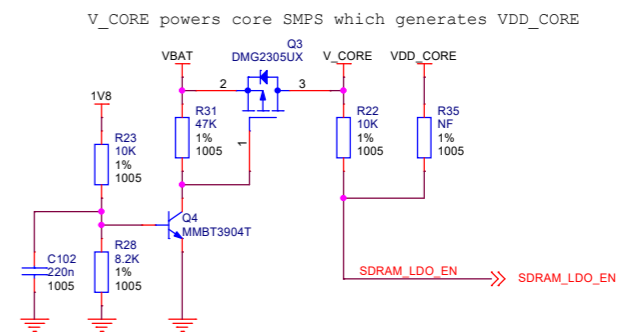
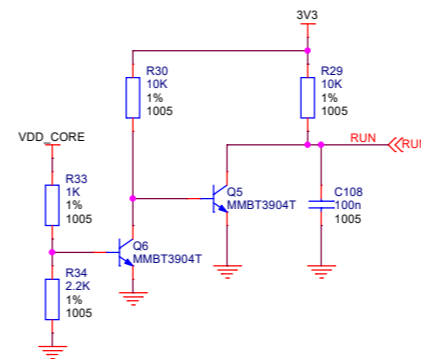
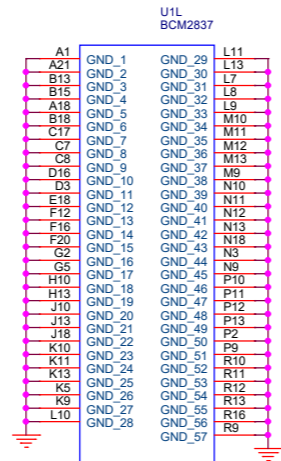
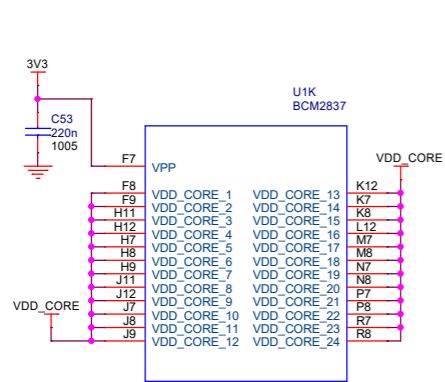
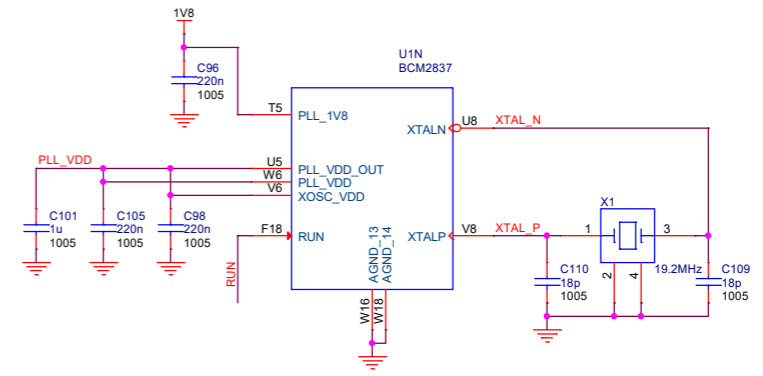
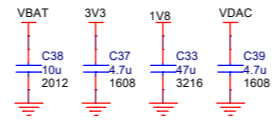
REVISION HISTORY:

V1.0 - 13/10/2016

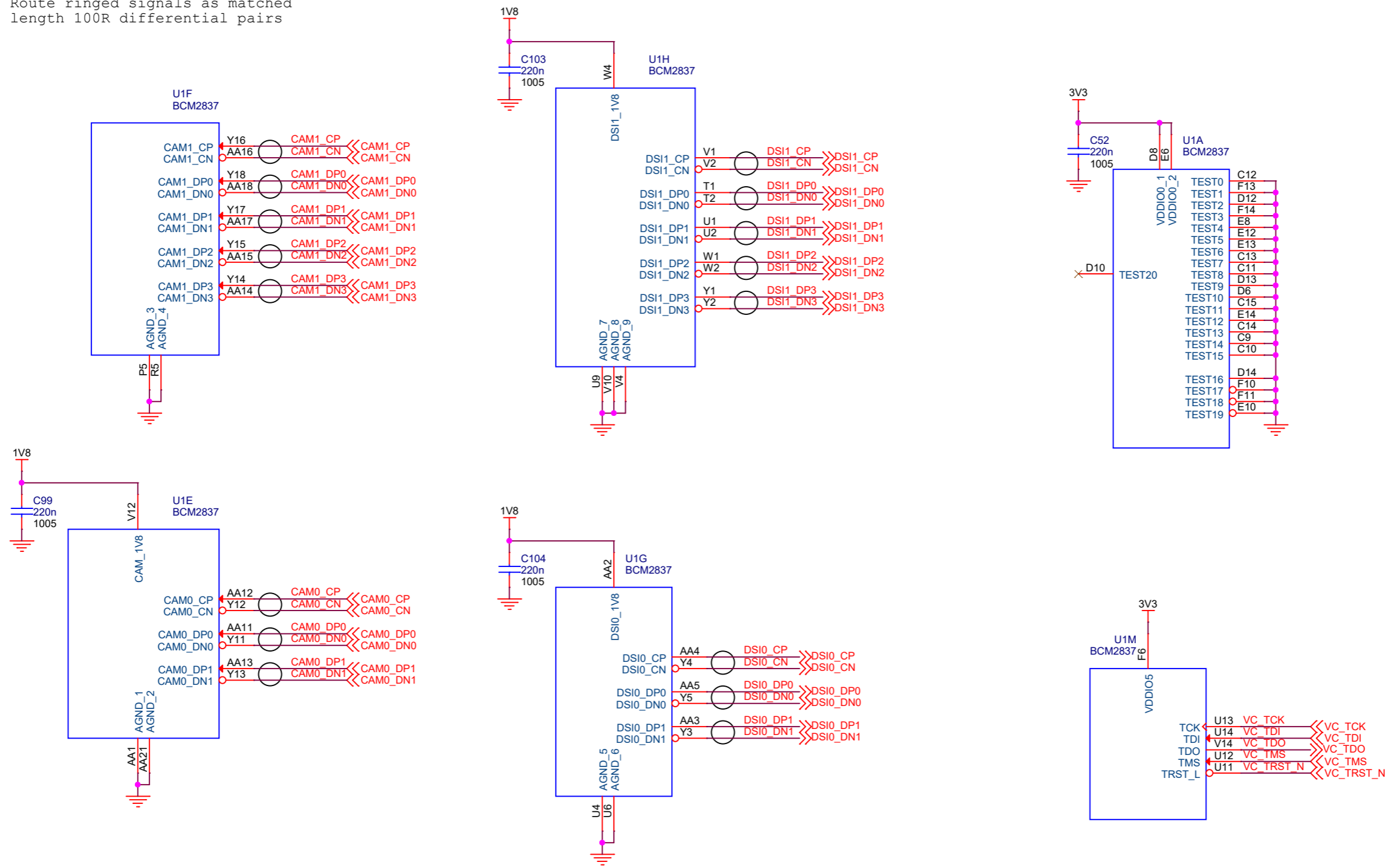
NOTES:

These reduced schematics omit core SMPS and LPDDR2 circuitry only

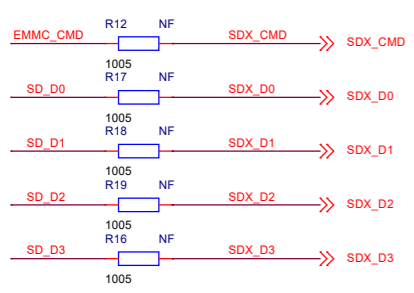
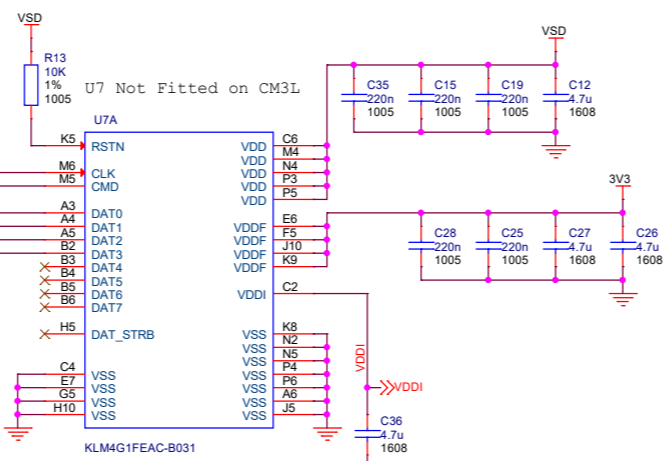
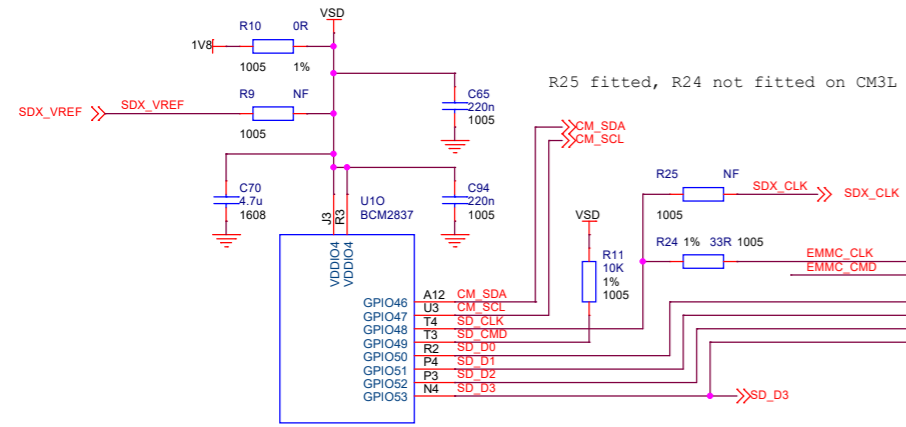
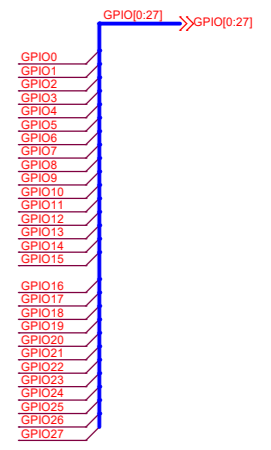
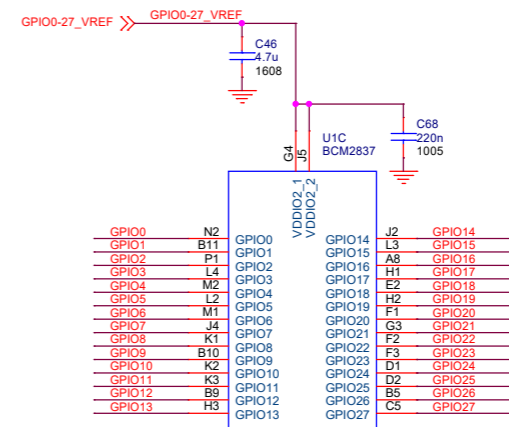
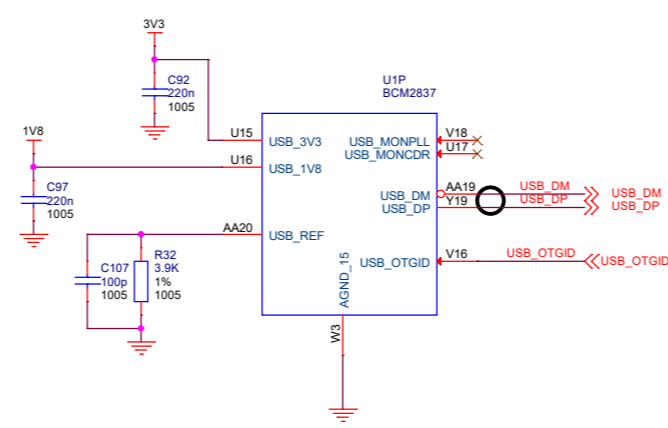
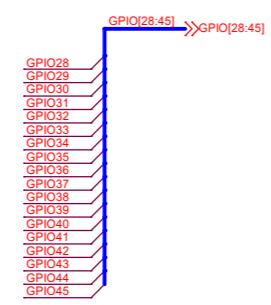
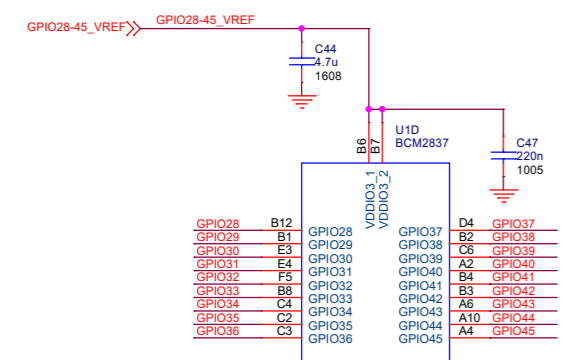
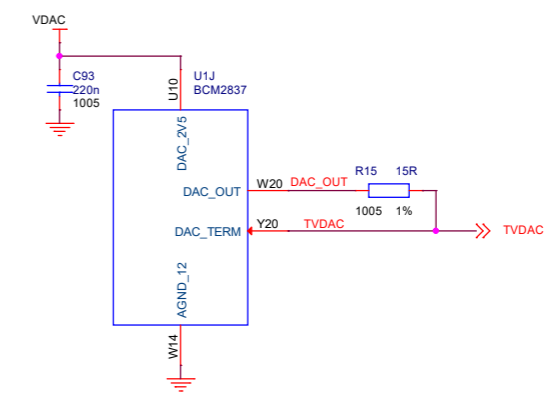
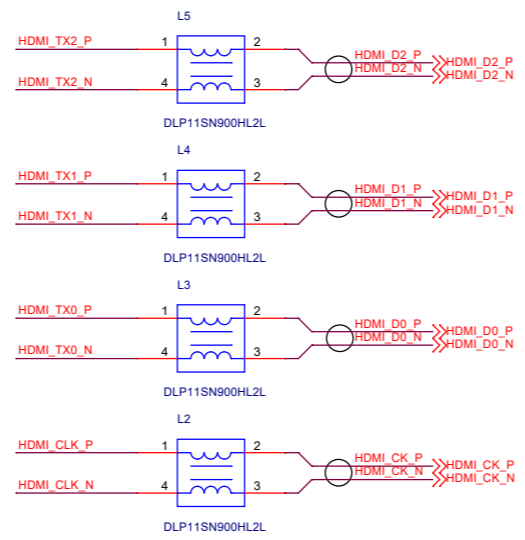
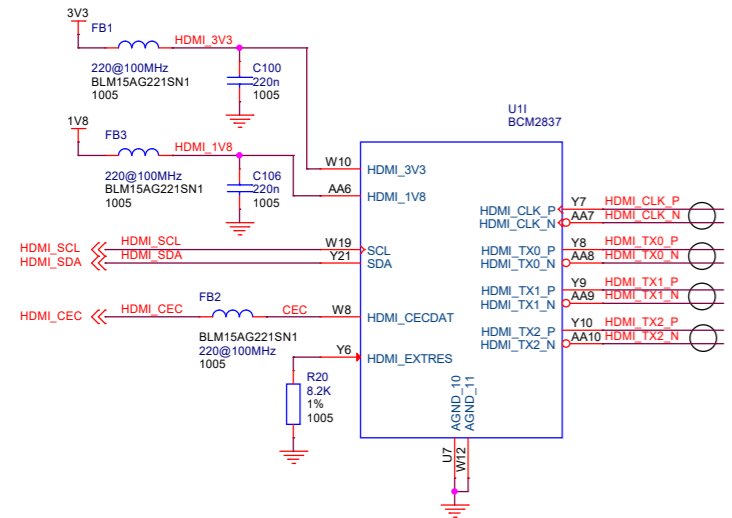
		© Raspberry Pi 2015 www.raspberrypi.org
Title Raspberry Pi Compute Module 3 (Reduced)		Drawn By James Adams
Size A3	Ref RPI-CM3	Rev 1.0
Date: Thursday, October 13, 2016		Sheet 1 of 5



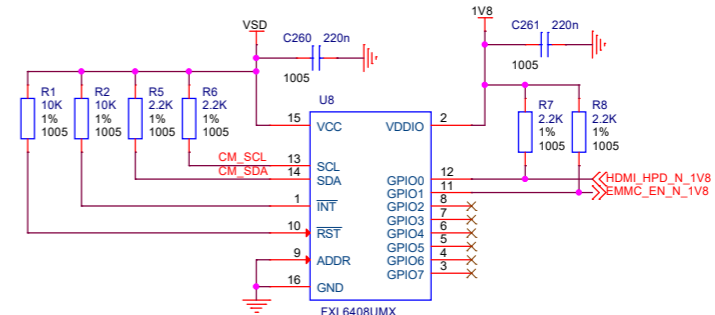
Route ringed signals as matched length 100R differential pairs



Route ringed signals as matched length 100R differential pairs



BCM2837 will fail to boot from eMMC/SD if EMMC_DISABLE_N is LOW and will therefore fall back to booting from USB.



R12,17,18,19,16 Fitted on CM3L

