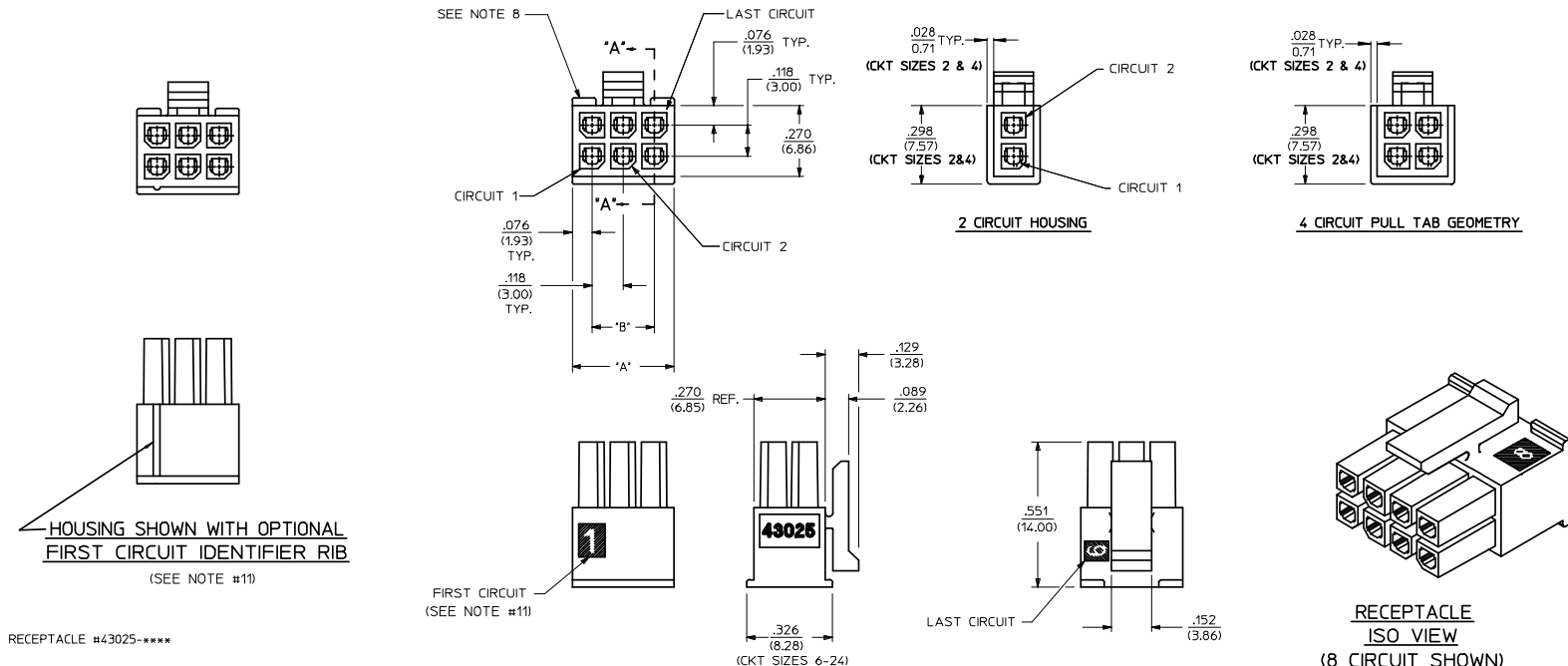
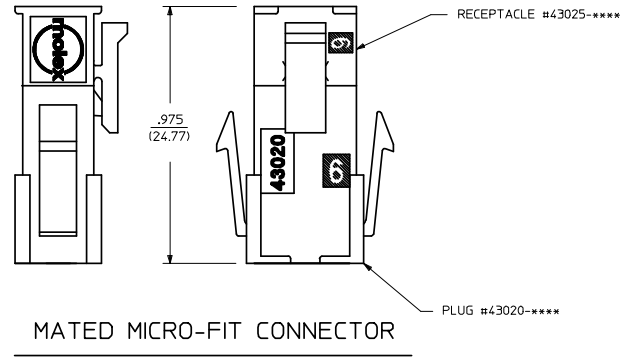


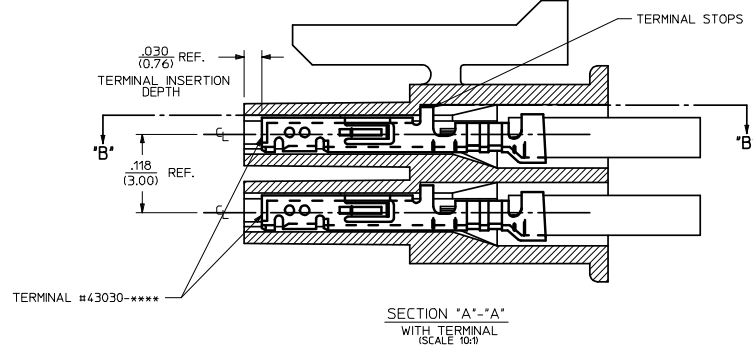
PART CHARACTERISTICS		CKT. NO.	DIM. 'A'	DIM. 'B'
NUMBER OF POSITION	ASSEMBLY ITEM NUMBER			
02	43025-0200	2	.152/(3.86)	N/A
04	43025-0400	4	.270/(6.85)	.118/(3.00)
06	43025-0600	6	.388/(9.85)	.236/(6.00)
08	43025-0800	8	.506/(12.85)	.354/(9.00)
10	43025-1000	10	.624/(15.85)	.472/(12.00)
12	43025-1200	12	.742/(18.85)	.591/(15.00)
14	43025-1400	14	.860/(21.85)	.709/(18.00)
16	43025-1600	16	.978/(24.85)	.827/(21.00)
18	43025-1800	18	1.096/(27.85)	.945/(24.00)
20	43025-2000	20	1.215/(30.85)	1.063/(27.00)
22	43025-2200	22	1.333/(33.85)	1.181/(30.00)
24	43025-2400	24	1.451/(36.85)	1.299/(33.00)



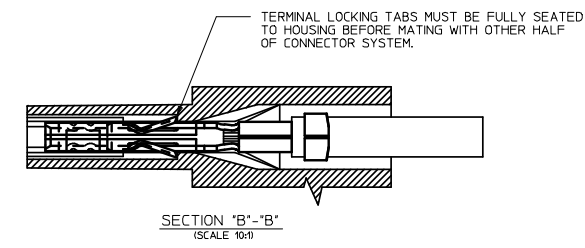
HOUSING SHOWN WITH OPTIONAL FIRST CIRCUIT IDENTIFIER RIB (SEE NOTE #11)



MATED MICRO-FIT CONNECTOR



SECTION "A"-"A" WITH TERMINAL (SCALE 10:1)



SECTION "B"-"B" (SCALE 10:1)

NOTES:

- HOUSING MATERIAL: UNFILLED POLYESTER, RATED U.L. 94V-0, COLOR IS BLACK.
- THIS RECEPTACLE MATES WITH 43020, 43045.
- THIS RECEPTACLE IS DESIGNED IN METRIC.
- THIS RECEPTACLE TO BE USED WITH MOLEX FEMALE TERMINAL #43030-\*\*\*\*.
- SEE SECTION "A"-"A" FOR TERMINAL ORIENTATION IN HOUSING.
- ALL CONNECTORS MUST MEET THE PERFORMANCE REQUIREMENTS OF MOLEX PRODUCT SPECIFICATION #PS-43045.
- FOR OVERMOLDING PARAMETERS SEE ENGINEERING SPECIFICATION #SDES-43025-1000.
- TOP PULL TABS ARE NOT AVAILABLE ON 2 AND 4 CIRCUIT PARTS.
- MOLEX RECOMMENDS THE USE OF MICRO-FIT TEST PLUG, SERIES NO. 44242-\*\*\*\* WHENEVER TESTING IS PERFORMED.
- TEST PLUGS MUST NOT BE USED FOR MAKE OR BREAK UNDER LOAD. SOME HOUSINGS MAY HAVE A SMALL GATE BLEMISH NEAR THE GATE THAT DOES NOT AFFECT FUNCTIONALITY.
- HOUSINGS MAY HAVE EITHER AN IDENTIFIER RIB OR "1" SYMBOL ENGRAVE TO INDICATE CIRCUIT #1.

REVISE, VOID SHT 2 IEC NO. UCPC2008-1885 DRAWN:K PFER 2007/12/12 CHKD:SSJUSEK 2007/12/14 APPR:FSM LTH 2007/12/14	QUALITY SYMBOLS ▼=0 ▽=0	GENERAL TOLERANCES (UNLESS SPECIFIED) mm INCH		DIMENSION STYLE IN/MM		SCALE	DESIGN UNITS	THIRD ANGLE PROJECTION
		4 PLACES ± .10 3 PLACES ± .15 2 PLACES ± .25 1 PLACE ± 0.35	± .10 ± .15 ± .25 ± .35	DRAWN BY A F G 1993/01/14	DATE 1993/01/14	TITLE MICRO-FIT (3.0) 2 THRU 24 CIRCUIT RECEPTACLE	4:1	
DRAFT WHERE APPLICABLE MUST REMAIN WITHIN DIMENSIONS		SEE CHART		MOLEX INCORPORATED		SDA-43025-****		SHEET NO. 1 OF 1
THIS DRAWING CONTAINS INFORMATION THAT IS PROPRIETARY TO MOLEX INCORPORATED AND SHOULD NOT BE USED WITHOUT WRITTEN PERMISSION								