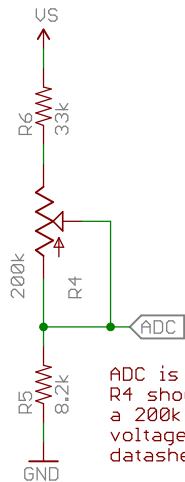
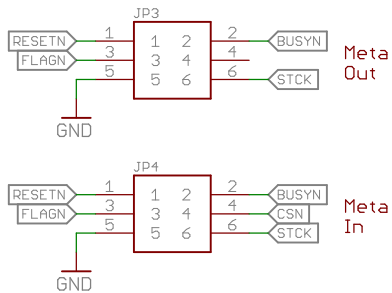
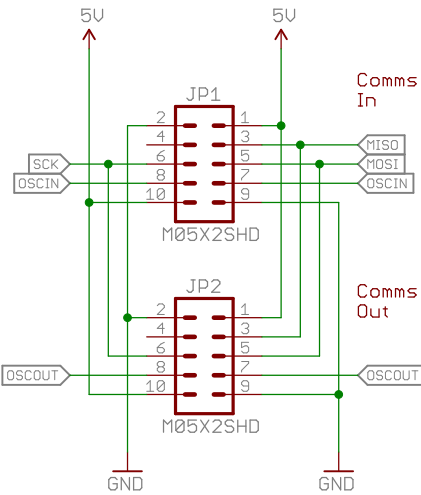
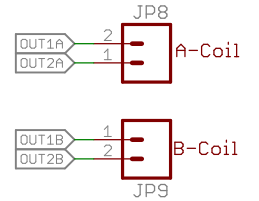
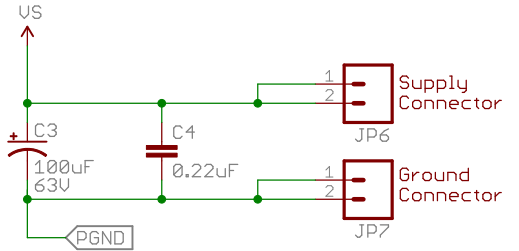
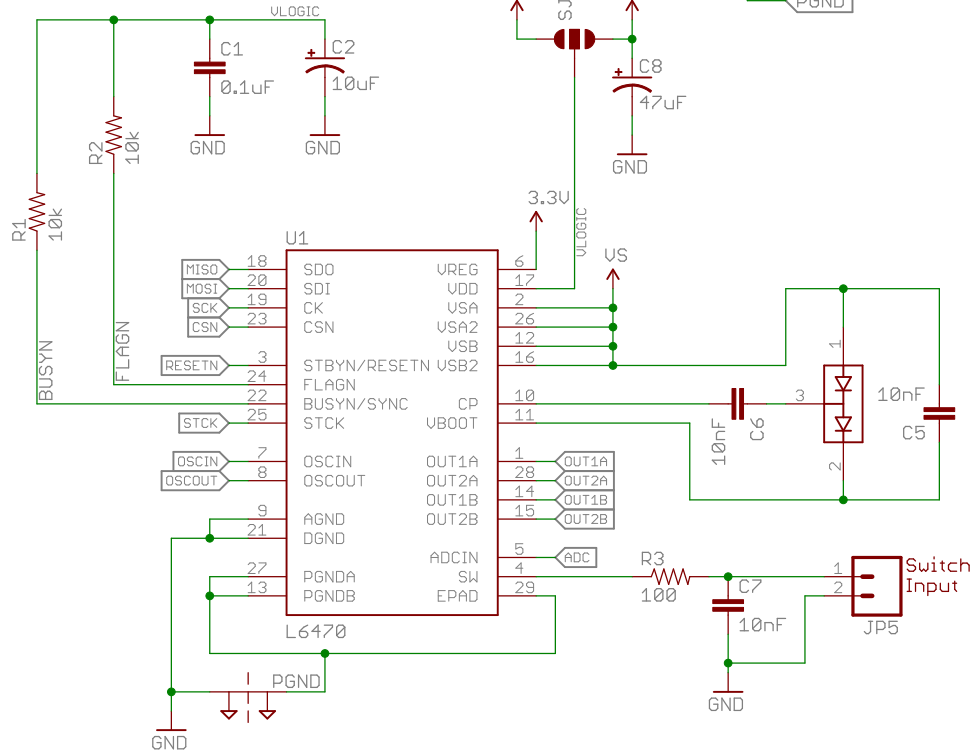


SPI Data is MSB first,  
 SPI mode 3:  
 CPOL=CPHA=1  
 5 Mbit max



ADC is 5-bit 0-3.3V range.  
 R4 should be populated with a 200k pot for supply voltage compensation; see datasheet p36 for details.

SJ1 allows user to select external power over comm headers or internal 3.3V power. NB- DO NOT connect external power to JP1 or JP2 when internal supply is selected!



open hardware

THIS IS A FOUR-LAYER BOARD!

Released under the Creative Commons Attribution Share-Alike 3.0 License  
<http://creativecommons.org/licenses/by-sa/3.0>



TITLE: L6470 AutoDriver	SFE
Design by: Mike Hord	REV: 10
Date: 1/17/2014 11:38:33 AM	Sheet: 1/1