

# Power Shield

-A Portable Offline Power Supply shield for Arduino

## Overview



Power Shield is a portable offline power supply board for Arduino. Using two AAA batteries and with high-efficiency DC-DC boost circuit, this shield is the power source which can output 5V/350mA. Standard Arduino pin map makes it compatible with Iteaduno series and other Arduino compatible board.

## Features

- Up to 90% high-efficiency boost circuit
- 5V/350mA output
- Power supply for external USB device with cable
- Operation temperature: 0°C ~ +60°C

## Specifications

PCB size	55.88mm X 68.58mm X 1.6mm
Indicators	Work
Power supply	5V
Communication Protocol	-
RoHS	Yes

## Electrical Characteristics

Specification	Min	Type	Max	Unit
Output Voltage	4.9V	-	5.1	VDC
Output Current*	-	-	350	mA

NOTE: The Output Max current is depended on the batteries power supply.

## Hardware

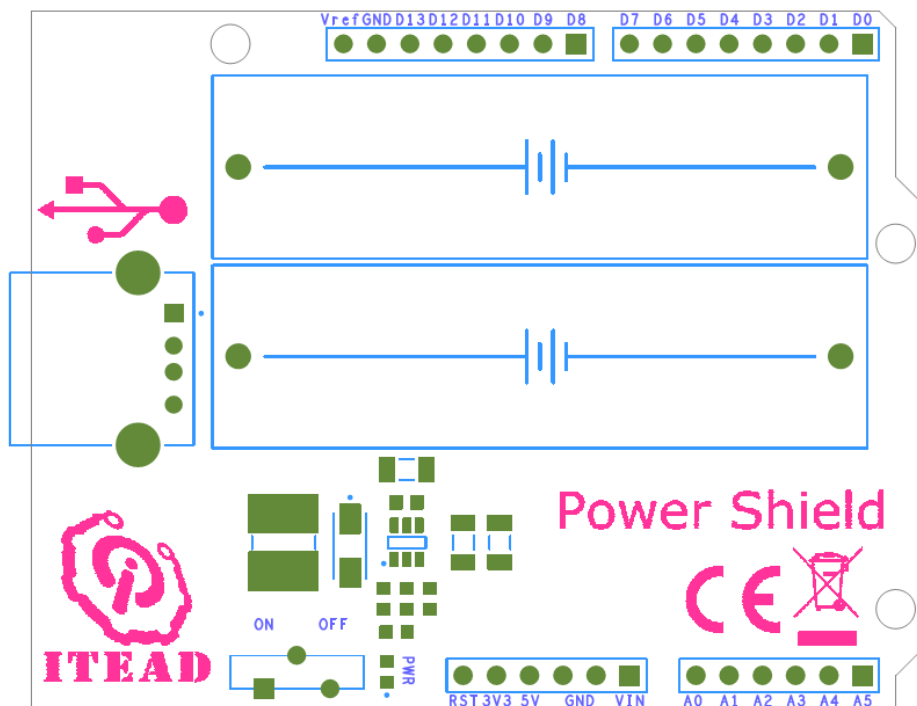


Figure 1 Top Map

## Installation

Two AAA batteries can be installed on Power shield. When the switch is set to ON, this shield can output the 5V voltage, and when the switch is set to OFF, the output is cut down.

On this shield, there is a standard USB A socket which can supply a 5V/350mA for external USB device.

## Inductor LED

The shield contains a LED:

- PWR: indicates the voltage output.

## Revision History

Rev.	Description	Release date
v1.0	Initial version	2012-11-26