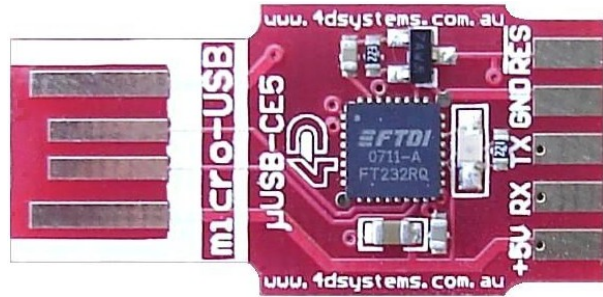




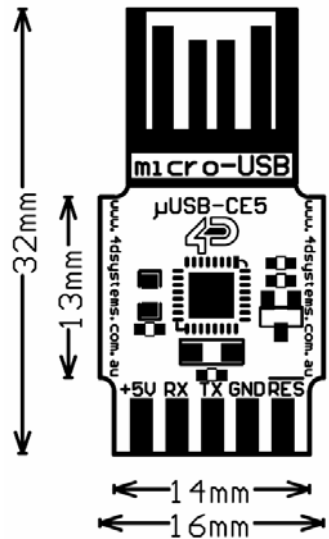
μUSB



MicroUSB

Product Overview:

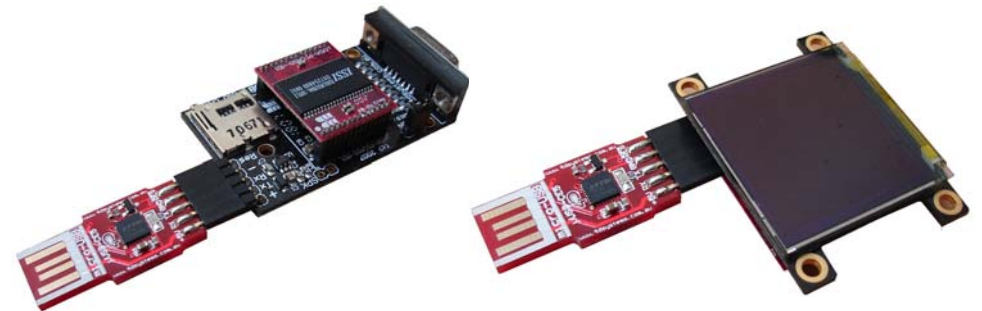
The micro-USB **μUSB-CE5** is a USB to RS-232 bridge converter which is simple, cost effective, very small and easy to use. It uses its own PCB as a card edge type connector to plug into a USB A type cable or directly into a USB hub port. The absence of a mechanical connector makes the **μUSB-CE5** a very low profile device. The design is based around the FT232RQ from FTDI and provides the user with multi baud rate serial data up to 3M baud rate. Standard 0.1" pitch 5 pin female or male header can be soldered to provide the essential signals and power to any application. RX and TX signals are both 3.3V and 5V tolerant.



TOP SIDE connections (for all 4D modules μLCD/μOLED/μVGA/μDRIVE)

Pin Name	Description
RES	This pin provides a LOW level RESET pulse of several hundred micro seconds when the DTR signal is toggled.
GND	Ground.
TX	Serial Data Transmit output. This connects to the host Rx (Serial Receive) input.
RX	Serial Data Receive input. This connects to the host Tx (Serial Transmit) output.
+5V	+5V Power from USB (up to 500mA). Power supply to external circuits

BOTTOM SIDE (alternative connections)



For Help and Other Information:

- Assistance with latest driver downloads go to www.ftdichip.com/Drivers/VCP.htm or visit the **μUSB-CE5** product web-page of your distributor or at www.4dsystems.com.au
- Questions and technical support please visit the 4D discussion forum at 4D Systems website or email support@4dsystems.com.au