

MOD-MMA7260Q development board

Users Manual



All boards produced by Olimex are ROHS compliant

Revision B, October 2006

Copyright(C) 2011, OLIMEX Ltd, All rights reserved

INTRODUCTION

MOD-MMA7260Q is 3-axes accelerometer and measure the accelerations in X Y and Z axis with range +-1.5 g to 6 g.(software selectable sensitivity). Adding the ARM7 with USB interface and the serial flash memory open up possibilities to implement a lot of interesting projects with this small board. The original idea for this board was inspired by the movie [Minority Report](#) where Tom Cruise instead of mouse used his hands to interface with the computers from the future. Searching the net for more info on this subject we found similar project [here](#). It looks not bad but the accelerometers used are 2 axis and the whole project was done too complex. Our goal was to make so small PCB which to be able to attach to your finger and with mini USB connector to be able to connect to any PC running Windows and to use it as 3d mouse i.e. moving your finger left - right-up-down to move your mouse cursor and if you move your finger toward the screen to make the mouse "click" action.

This of course doesn't limit the applications of this board other cool application to be made is for instance car performance logger: as we have the acceleration and have microcontroller which can measure the time we can easily compute the velocity $V = A * t$, then the distance $S = V * t$ and as the accelerometer is 3-axis we can calculate at what distance in 3D space the object moves. If we know your car mass we can calculate the force applied $F = m * A$ and from this we can calculate your real car power $P = V * A$, so having this little board inside your car and knowing your car mass you can have calculated in real time your car characteristics: Acceleration (0-100 kmh / 0-60mph), Braking distance, Horsepower, etc etc and remember these are the actual measurements on your car not catalogue data. Yet another application is to measure the vibrations and shock on objects, for instance put one such device with battery power supply inside your parcel before send it by FedEx and then the recipient dump the info logged - what time it took, what velocity parcel had, did they drop it on the floor (i.e. at what max shock it was exposed), what time it was actually moved and with what speed, how many time it stayed rest i.e. it didn't moved and you can evaluate the different couriers efficiency this way?

BOARD FEATURES

- MMA7260Q 3-axis accelerometer from Freescale Semiconductor Inc. measure +-1.5 g - 6 g
- AT91SAM7S64 ARM7 microcontroller
- AT45DB011 1Mbit serial flash for data logging
- mini USB connector
- PCB: FR-4, 1.5 mm (0,062"), soldermask, white silkscreen component print
- Dimensions: 40x20 mm (1.57 x 0.78")

ELECTROSTATIC WARNING

The MOD-MMA7260Q board is shipped in protective anti-static packaging. The board must not be subject to high electrostatic potentials. General practice for working with static sensitive devices should be applied when working with this board.

BOARD USE REQUIREMENTS

Cables: USB-Mini cable is need as this board used power supply from the USB.

PROCESSOR FEATURES

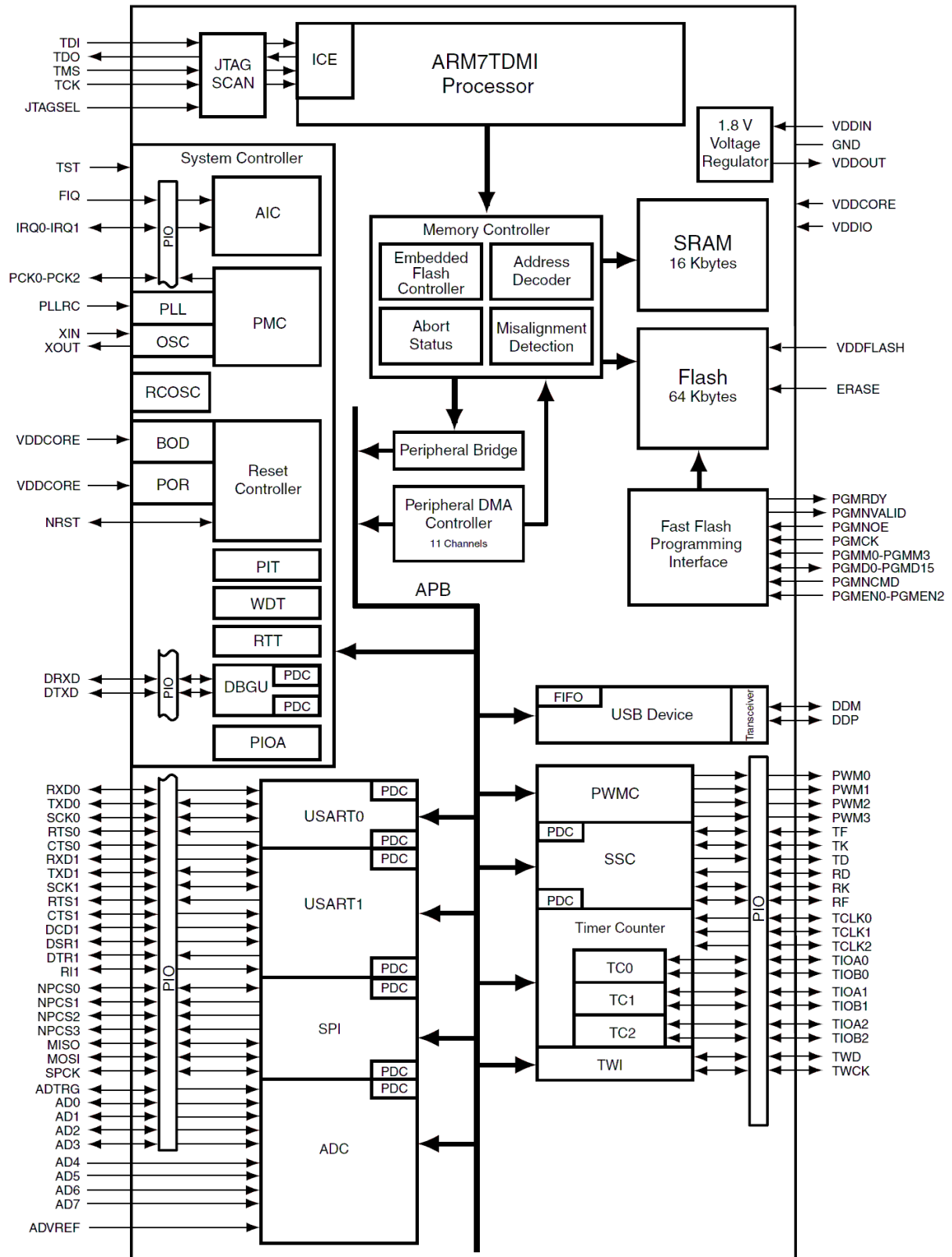
MOD-MMA7260Q board use ARM7TDMI® ARM® Thumb® Processor AT91SAM7S64 from Atmel Corporation with these features:

- Incorporates the ARM7TDMI® ARM® Thumb® Processor
 - High-performance 32-bit RISC Architecture
 - High-density 16-bit Instruction Set
 - Leader in MIPS/Watt
 - Embedded ICE In-circuit Emulation, Debug Communication Channel Support
- 64 Kbytes of Internal High-speed Flash, Organized in 512 Pages of 128 Bytes
 - Single Cycle Access at Up to 30 MHz in Worst Case Conditions, Prefetch Buffer Optimizing Thumb Instruction Execution at Maximum Speed
 - Page Programming Time: 4 ms, Including Page Auto-erase, Full Erase Time: 10 ms
 - 10,000 Write Cycles, 10-year Data Retention Capability, Sector Lock Capabilities, Flash Security Bit
 - Fast Flash Programming Interface for High Volume Production
- 16 Kbytes of Internal High-speed SRAM, Single-cycle Access at Maximum Speed
- Memory Controller (MC)
 - Embedded Flash Controller, Abort Status and Misalignment Detection
- Reset Controller (RSTC)
 - Based on Power-on Reset and Low-power Factory-calibrated Brownout Detector
 - Provides External Reset Signal Shaping and Reset Source Status
- Clock Generator (CKGR)
 - Low-power RC Oscillator, 3 to 20 MHz On-chip Oscillator and one PLL
- Power Management Controller (PMC)

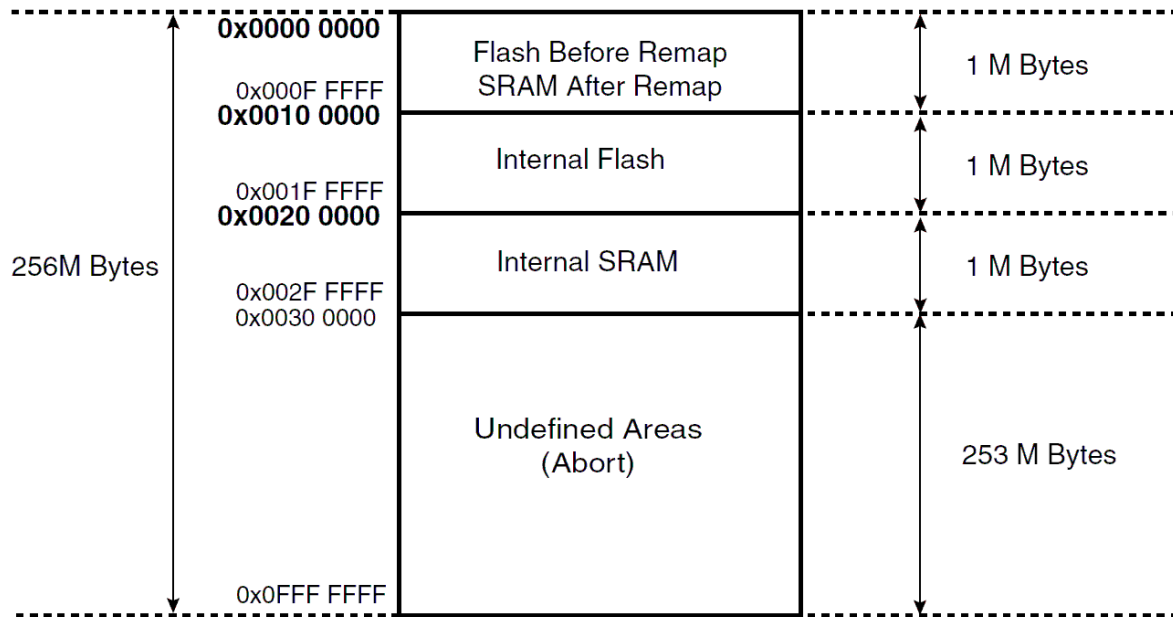
- Software Power Optimization Capabilities, Including Slow Clock Mode (Down to 500 Hz) and Idle Mode
- Three Programmable External Clock Signals
- Advanced Interrupt Controller (AIC)
 - Individually Maskable, Eight-level Priority, Vectored Interrupt Sources
 - Two External Interrupt Sources and One Fast Interrupt Source, Spurious Interrupt Protected
- Debug Unit (DBGU)
 - 2-wire UART and Support for Debug Communication Channel interrupt, Programmable ICE Access Prevention
- Periodic Interval Timer (PIT)
 - 20-bit Programmable Counter plus 12-bit Interval Counter
- Windowed Watchdog (WDT)
 - 12-bit key-protected Programmable Counter
 - Provides Reset or Interrupt Signals to the System
 - Counter May Be Stopped While the Processor is in Debug State or in Idle Mode
- Real-time Timer (RTT)
 - 32-bit Free-running Counter with Alarm
 - Runs Off the Internal RC Oscillator
- One Parallel Input/Output Controller (PIOA)
 - Thirty-two Programmable I/O Lines Multiplexed with up to Two Peripheral I/Os
 - Input Change Interrupt Capability on Each I/O Line
 - Individually Programmable Open-drain, Pull-up resistor and Synchronous Output
- Eleven Peripheral DMA Controller (PDC) Channels
- One USB 2.0 Full Speed (12 Mbits per second) Device Port
 - On-chip Transceiver, 328-byte Configurable Integrated FIFOs
- One Synchronous Serial Controller (SSC)
 - Independent Clock and Frame Sync Signals for Each Receiver and Transmitter
 - I²S Analog Interface Support, Time Division Multiplex Support
 - High-speed Continuous Data Stream Capabilities with 32-bit Data Transfer
- Two Universal Synchronous/Asynchronous Receiver Transmitters (USART)
 - Individual Baud Rate Generator, IrDA Infrared Modulation/Demodulation
 - Support for ISO7816 T0/T1 Smart Card, Hardware Handshaking, RS485 Support
 - Full Modem Line Support on USART1

- One Master/Slave Serial Peripheral Interface (SPI)
 - 8- to 16-bit Programmable Data Length, Four External Peripheral Chip Selects
- One Three-channel 16-bit Timer/Counter (TC)
 - Three External Clock Inputs, Two Multi-purpose I/O Pins per Channel
 - Double PWM Generation, Capture/Waveform Mode, Up/Down Capability
- One Four-channel 16-bit PWM Controller (PWMC)
- One Two-wire Interface (TWI)
 - Master Mode Support Only, All Two-wire Atmel EEPROMs Supported
- One 8-channel 10-bit Analog-to-Digital Converter, Four Channels Multiplexed with Digital I/Os
- IEEE 1149.1 JTAG Boundary Scan on All Digital Pins
- 5V-tolerant I/Os, including Four High-current Drive I/O lines, Up to 16 mA Each
- Power Supplies
 - Embedded 1.8V Regulator, Drawing up to 100 mA for the Core and External Components
 - 3.3V VDDIO I/O Lines Power Supply, Independent 3.3V VDDFLASH Flash Power Supply
 - 1.8V VDDCORE Core Power Supply with Brownout Detector
- Fully Static Operation: Up to 55 MHz at 1.65V and 85°C Worst Case Conditions

BLOCK DIAGRAM



INTERNAL MEMORY MAP

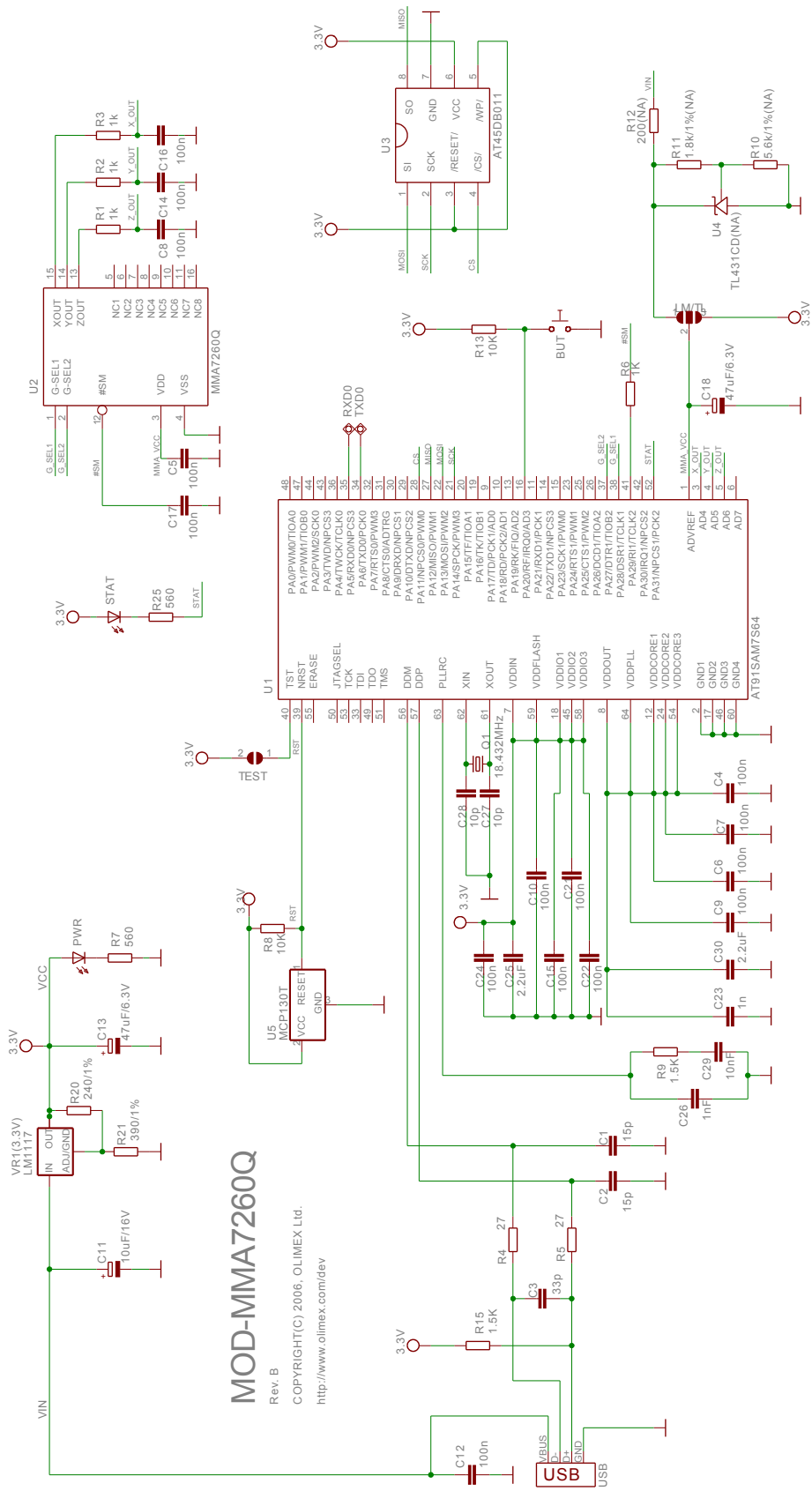


Step by step programming instruction for OLIMEX MOD-MMA7260 board:

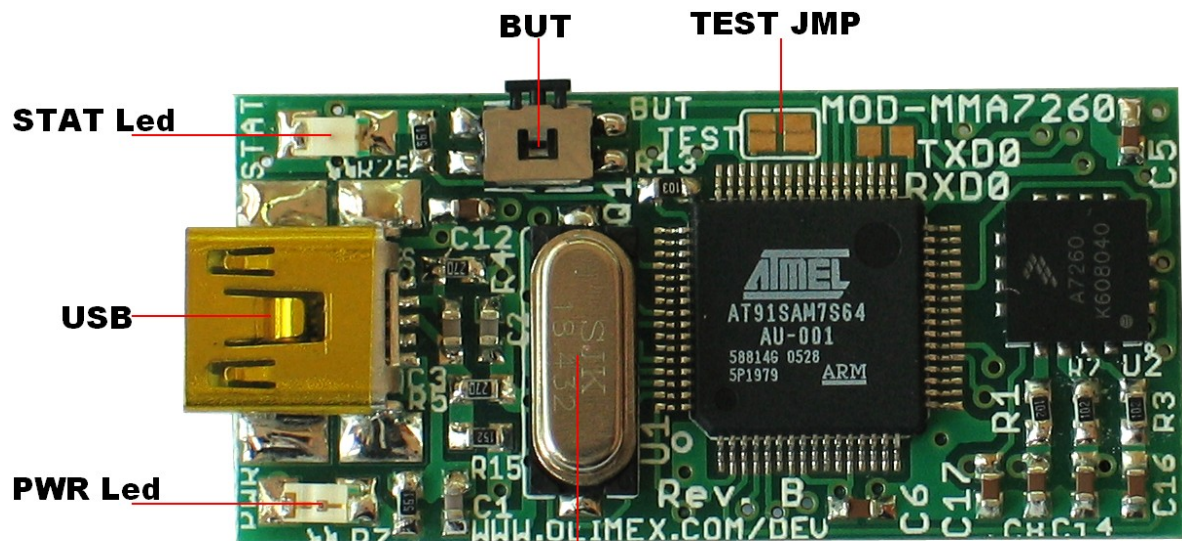
1. Download and install AT91 ISP software from Atmel website-
http://www.atmel.com/dyn/resources/prod_documents/install at91-isp v1.10.exe
2. Close TST jumper. It is small SMD jumper near to BUT button.
3. Plug in mini USB cable to the board and wait 10s at least.
4. Disconnect board from USB.
5. Open TST jumper
6. Connect again USB cable.
7. If Windows ask you for driver install the drivers from package(<http://www.olimex.com/dev/soft/MOD/MOD-MMA7260/HOW-TO-PROGRAM-MOD-MMA7260.zip>)
7. Start SAM-PROG v2.4 or SAM-BA
8. Load MOD_MMA.bin from already downloaded ZIP and program the board

If you wish to load file, then you have to convert it to bin file with hex2bin.exe

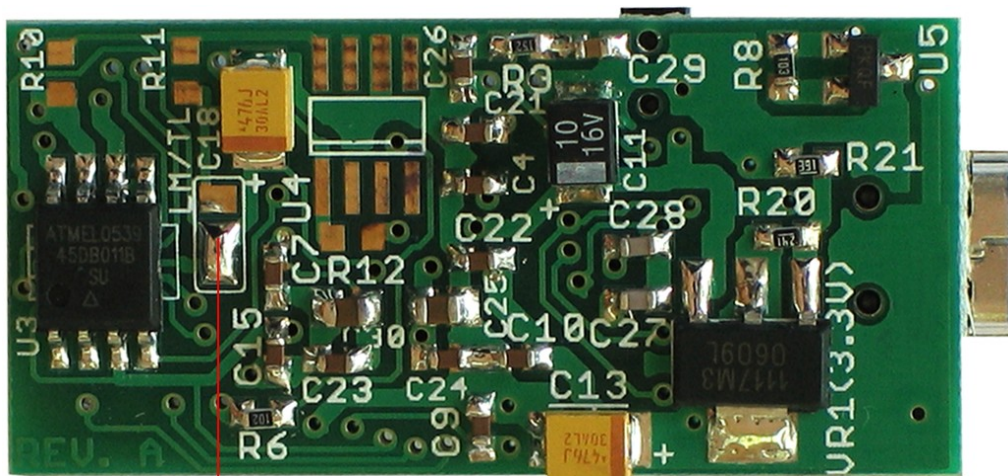
SCHEMATIC



BOARD LAYOUT



Quartz Crystal Q1



LM/TL JMP

POWER SUPPLY CIRCUIT

MOD-MMA7260Q is power supplied +5V (VIN) from USB.

RESET CIRCUIT

MOD-MMA7260Q reset circuit includes U5 (MCP130T), R8(10k) and AT91SAM7S64 pin 39 (NRST).

CLOCK CIRCUIT

Quartz crystal 18.432 MHz is connected to AT91SAM7S64 pin 61 (XOUT) and pin 62 (XIN).

JUMPER DESCRIPTION

TEST



This jumper, when closed, connects AT91SAM7S64 pin 40 (TST) to 3.3V.
Default state is opened.

LM/TL



When LM is shorted, AT91SAM7S64 pin 1 (ADVREF (MMA_VCC)) is connected to 3.3V.

When TL is shorted, AT91SAM7S64 pin 1 (ADVREF (MMA_VCC)) is connected to VIN.

Default state is LM shorted.

INPUT/OUTPUT

Status Led (green) connected to AT91SAM7S64 pin 52 (PA31/NPCS1/PCK2).

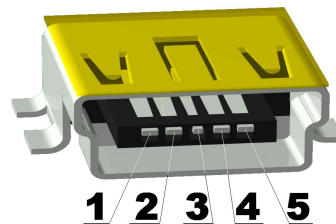
Power-on LED (red) – this LED shows that +3.3V is applied to the board.

User button with name **BUT** connected to AT91SAM7S64 pin 16 (PA20/RF/IRQ0/AD3).

EXTERNAL CONNECTORS DESCRIPTION

USB connector

Pin #	Signal Name
1	VIN
2	DDM
3	DDP
4	NC
5	GND



AVAILABLE DEMO SOFTWARE

- [3D mouse demo code](#)

ORDER CODE

MOD-MMA7260Q - assembled and tested board

How to order?

You can order to us directly or by any of our distributors.
Check our web www.olimex.com/dev for more info.

Revision history

Board - Revision B, October 2006

User manual - Revision A, February 2011 - Step by step programming
instruction for OLIMEX MOD-MMA7260 board - modified

Disclaimer

© 2011 Olimex Ltd. All rights reserved. Olimex®, logo and combinations thereof, are registered trademarks of Olimex Ltd. Other terms and product names may be trademarks of others.

The information in this document is provided in connection with Olimex products. No license, express or implied or otherwise, to any intellectual property right is granted by this document or in connection with the sale of Olimex products.

Neither the whole nor any part of the information contained in or the product described in this document may be adapted or reproduced in any material from except with the prior written permission of the copyright holder.

The product described in this document is subject to continuous development and improvements. All particulars of the product and its use contained in this document are given by OLIMEX in good faith. However all warranties implied or expressed including but not limited to implied warranties of merchantability or fitness for purpose are excluded.

This document is intended only to assist the reader in the use of the product. OLIMEX Ltd. shall not be liable for any loss or damage arising from the use of any information in this document or any error or omission in such information or any incorrect use of the product.