



AK-1604-A-WWB

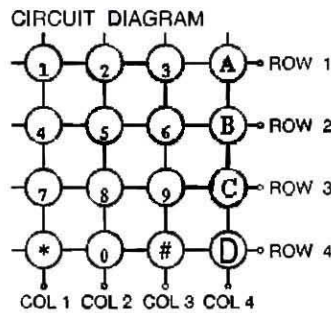


AK-1604-N-BBW

GENERAL SPECIFICATION

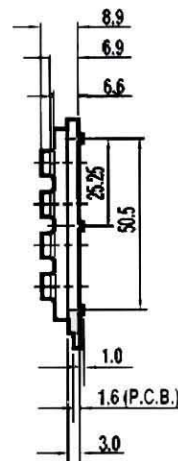
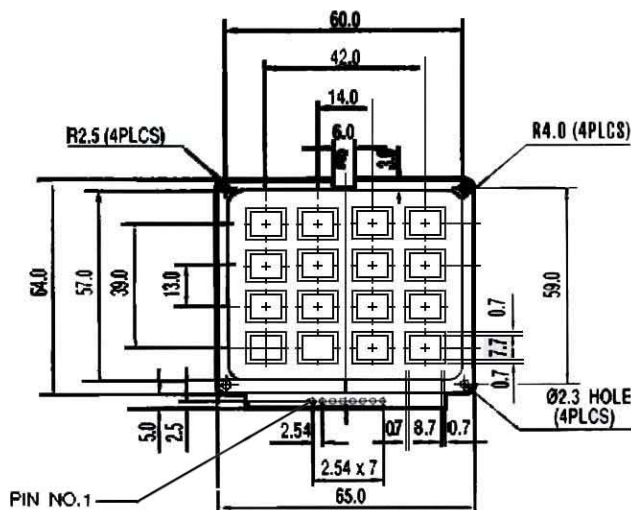
- Contact rating: 20mA, 24VDC
- Contact resistance: 200 ohm max
- Life: 1,000,000 cycles per key
- Operating Temperature: -20°C to +60°C
- Storage Temperature: -40°C to +65°C

STANDARD MATRIX CIRCUIT DIAGRAM



AK-1604

OUTPUT ARRANGEMENT	
OUTPUT PIN NO.	SYMBOL
1	COL 1
2	COL 2
3	COL 3
4	COL 4
5	ROW 1
6	ROW 2
7	ROW 3
8	ROW 4



ACTUATING FORCE: 100 ± 30 GRAMS.
STROKE: 1.5 ± 0.5mm.

ACCORD CO., LTD.

8th Fl., No. 398, Jen Ai Road, Sec. 4, Taipei, Taiwan.

Tel: 886-2-2704-4503

Fax: 886-2-2703-6358

E-mail: accordia@ms4.hinet.net

<http://www.accordia.com.tw>