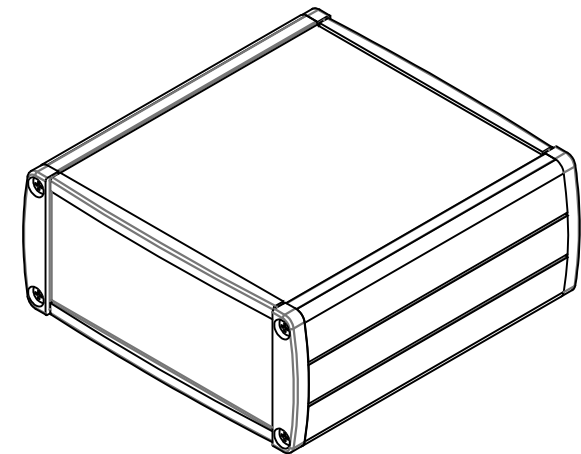
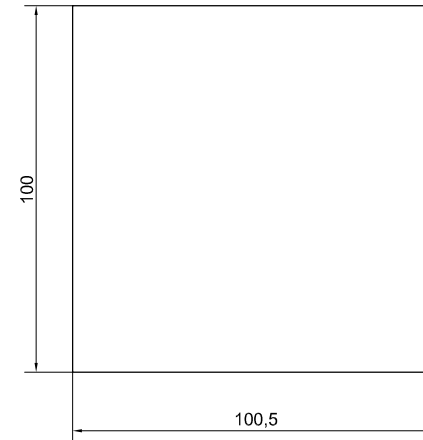


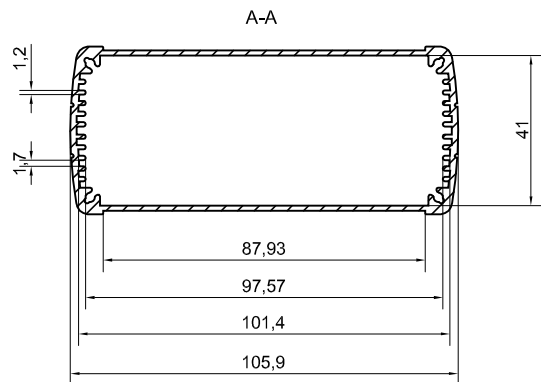
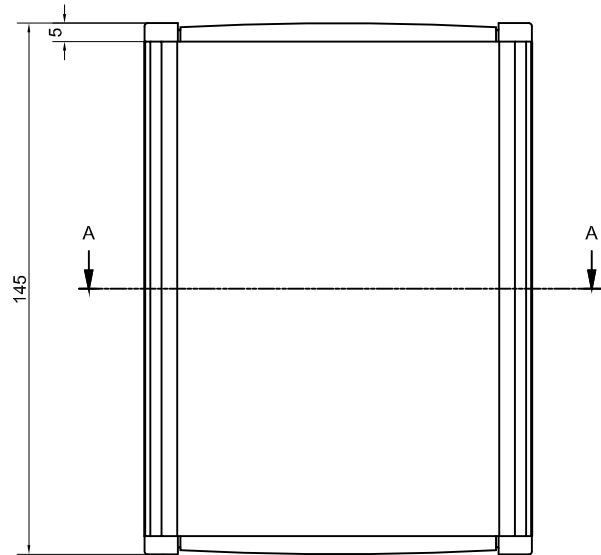
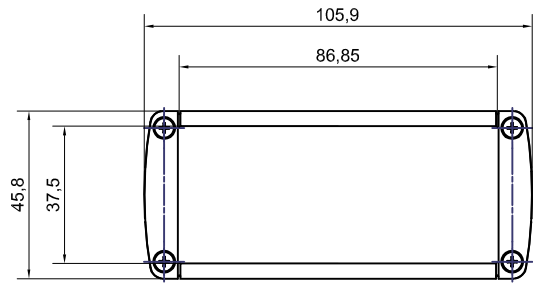


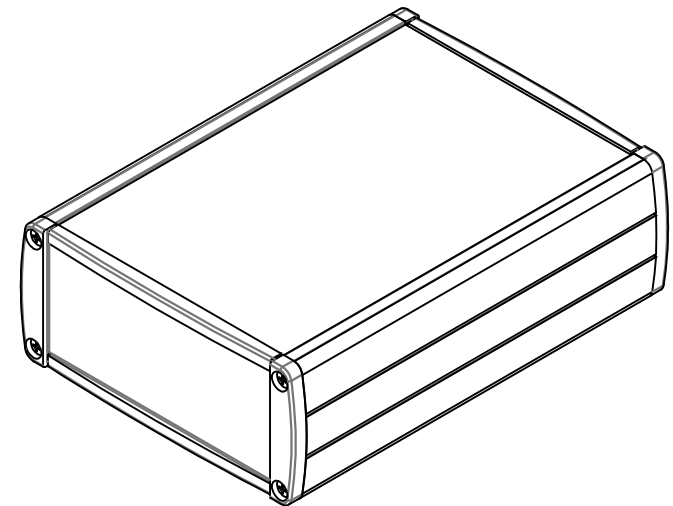
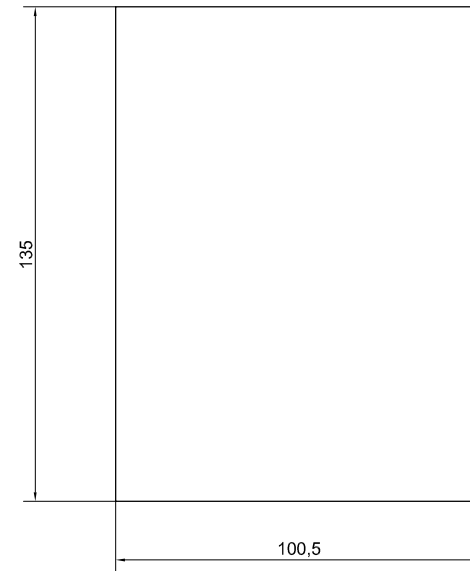
MAXIMUM PCB SIZE





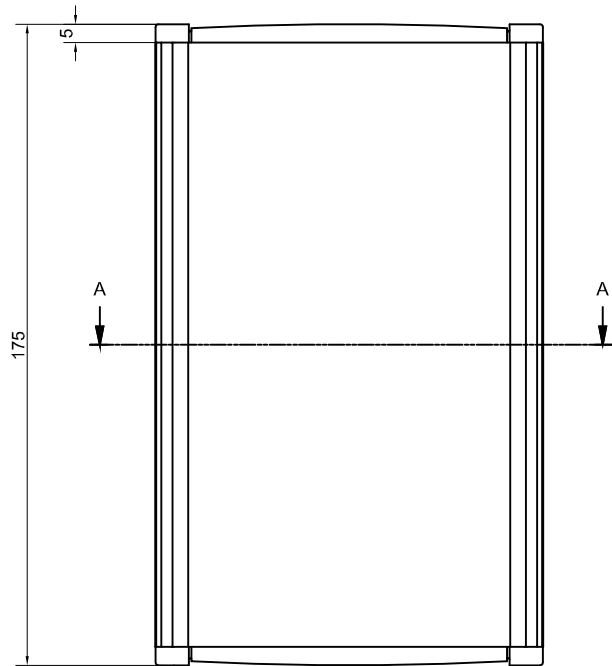
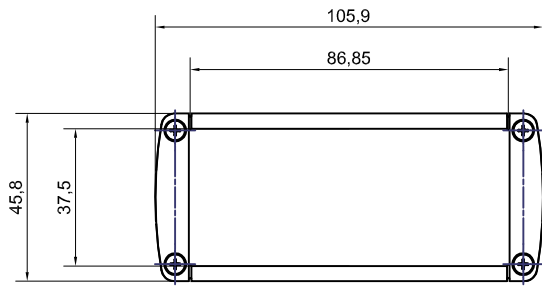
 ENCLOSURES	Denomination Assembly TEKAL 31	Part Number TEKAL-31	
	Subject to technical modification without prior notice. Tipographical and other errors do not justify any claim for damages. All dimensions should be verified using an actual moulded part.		Rev. Index 1:1
	This document contains proprietary information of TEKO S.p.A. , and is tendered subject to the conditions that the information be retained in confidence not be reproduced or copied and not be used or incorporated in any product.		Date 27/04/2005 Format design A2



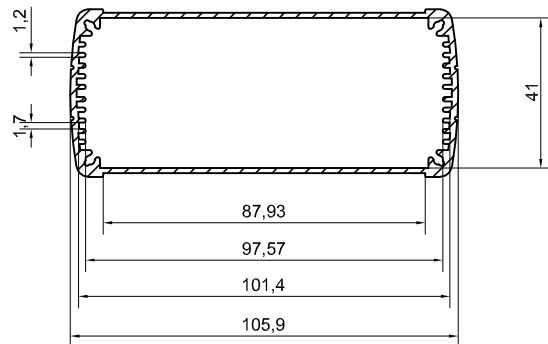
MAXIMUM PCB SIZE



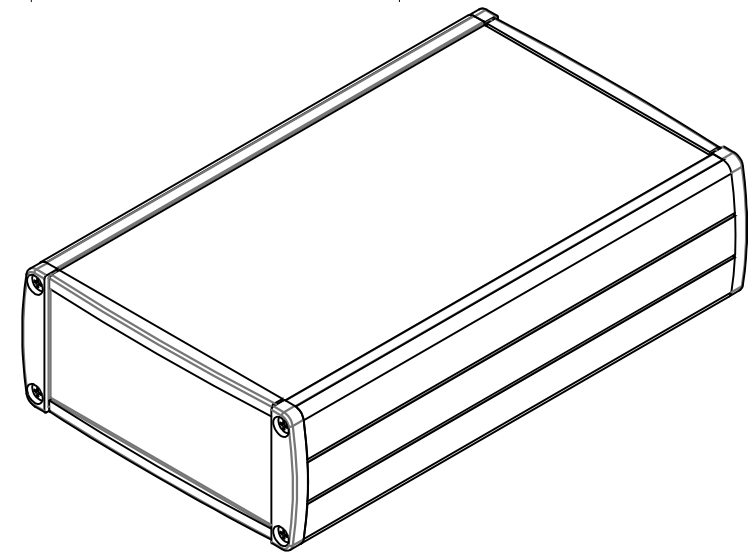
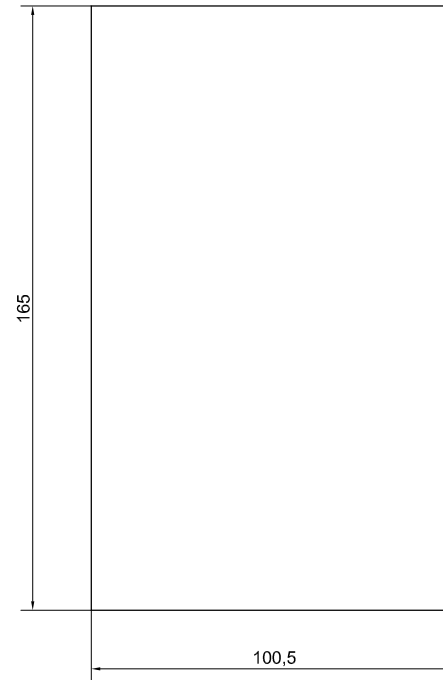
 ENCLOSURES	Denomination Assembly TEKAL 32	Part Number TEKAL-32	
	Subject to technical modification without prior notice. Tipographical and other errors do not justify any claim for damages. All dimensions should be verified using an actual moulded part.		Rev. Index 1:1
	This document contains proprietary information of TEKO S.p.A. and is tendered subject to the conditions that the information be retained in confidence not be reproduced or copied and not be used or incorporated in any product.		Date 27/04/2005
			Format design A2





A-A



MAXIMUM PCB SIZE



 ENCLOSURES	Denomination Assembly TEKAL 33	Part Number TEKAL-33	
	Subject to technical modification without prior notice. Tipographical and other errors do not justify any claim for damages. All dimensions should be verified using an actual moulded part.		Rev. Index Date 27/04/2005
	This document contains proprietary information of TEKO S.p.A. and is tendered subject to the conditions that the information be retained in confidence not be reproduced or copied and not be used or incorporated in any product.		Scale 1:1 Format design A2