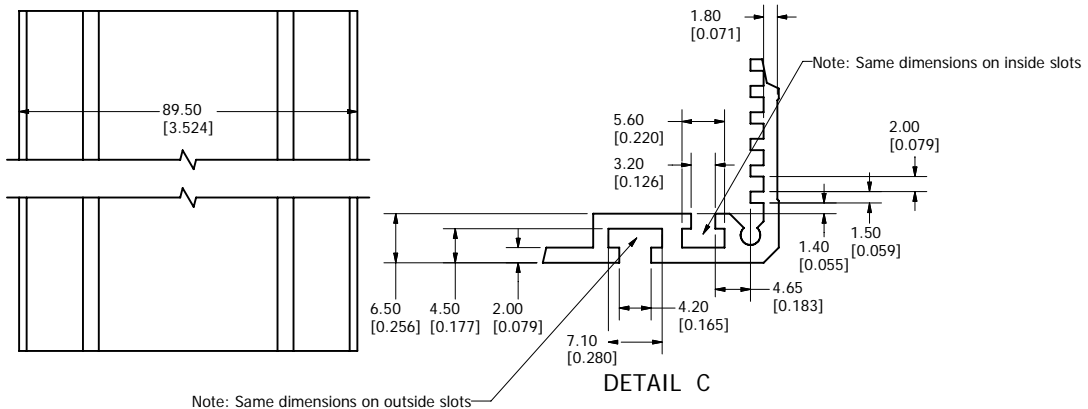
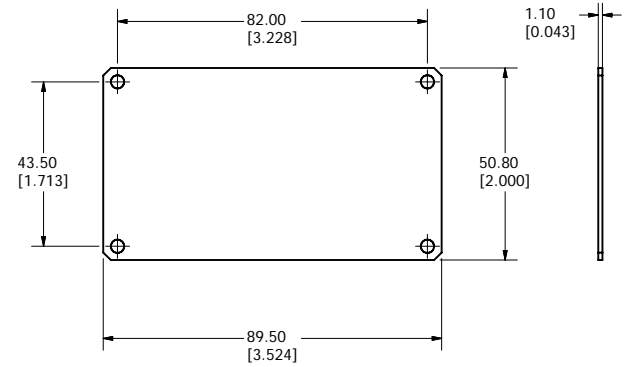


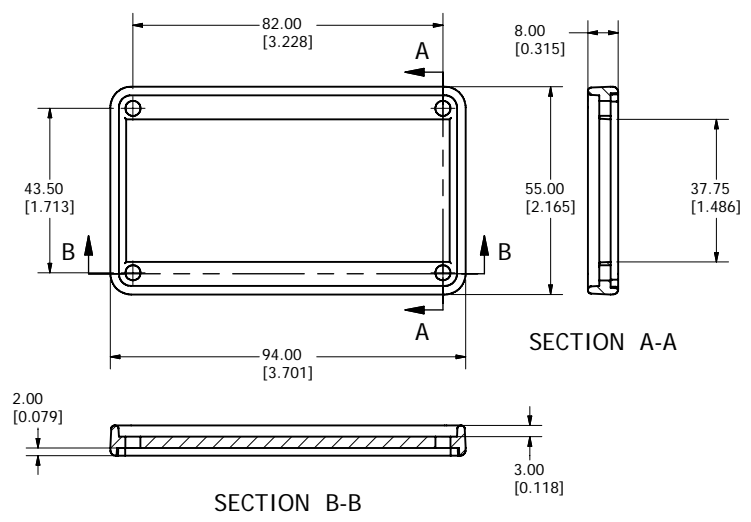
### Slot Details



### End Plate



### Bezel



**NOTE**  
Purchased assembly includes Extrusion, 2 End Plates, 2 Bezels and 8 screws

PART NUMBERS		
Sink Box		
Material	Colour	Part Number
Aluminum	Black Anodized	431610
6063 T5 Alloy	Clear Anodized	531610
Bezel	Black	
GP ABS		
End Plate	Black Anodized	031623
5052-H32 Alloy	Clear Anodized	131623
Required Torque on Fasteners (no lubrication)		
#4 x 0.5 Screws		30-40 cN*m

**HAMMOND MANUFACTURING™**  
**90x200 Sink Box**  
www.hammondmfg.com