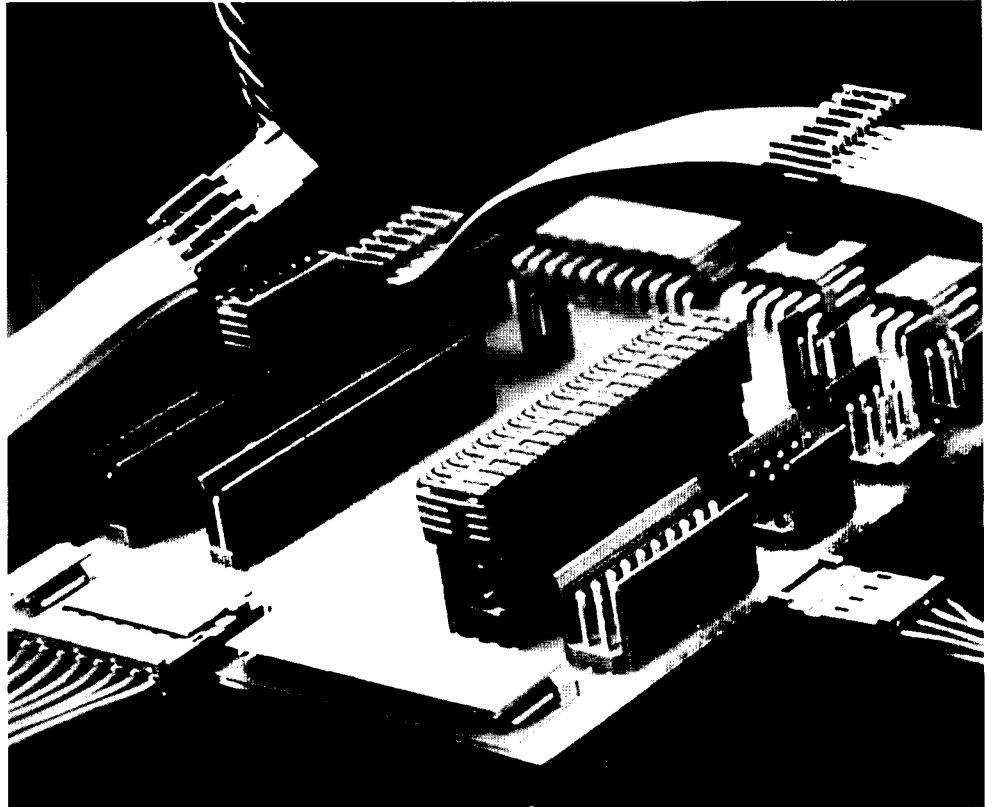


Product Facts

- Receptacle assemblies preloaded with Insulation Displacement Contacts (IDC) to terminate discrete wires or 2.54 mm centerline ribbon cables
- Receptacle housings receive crimp snap-in contacts to terminate discrete wires (straight exit)
- Headers provided for straight or right-angle mounting to be soldered onto 1.6 mm thick printed circuit boards
- Protective header shrouds feature an integrated detent latching device
- Compliant to the CEI IEC 603-8 International Standard

**Performance Specifications:****Electrical**

Contact Current Rating—
3 A max at 20°C

Contact Termination Resistance—
20 mΩ max (HE 13)
30 mΩ max (HE 14)

Dielectric Withstanding Voltage—
1000 V rms (HE 13)
500 V rms (HE 14)

Insulation Resistance—
5,000 megaohms (HE 13)
1,000 megaohms (HE 14)

Environmental

Operating Temperature—
-55°C to +125°C (HE13)
-40°C to +100°C (HE14)

Mechanical

Durability—
400 cycles (HE 13)
30 cycles (HE 14)

Insertion/Withdrawal Force—
1.5 N max per contact + latching force
(HE 13)
3 N max per contact + latching force
(HE 14)

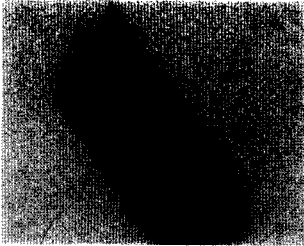
A multi-contact connector range designed to reliably meet today's interconnection requirements for signal transmission in a variety of computer, telecommunications and industrial applications.

Complying fully with the CEI IEC 603-8 international standard, this wire-to-board interconnection system is composed of IDC receptacle assemblies for discrete wires or ribbon cable, receptacle housings for crimp snap-in receptacle contacts and 2.54mm pitch vertical or right-angle shrouded and polarised board-mount headers.

All products are available with a choice of gold (HE13) or tin (HE14) plating finishes.

Shrouded Headers, Straight

Straight 0.63 mm Square Post



Material and Finish:

Housing—Blue flame retardant glass filled polyester, UL 94V-0 rated

Posts—Phosphor bronze, plated as follows:

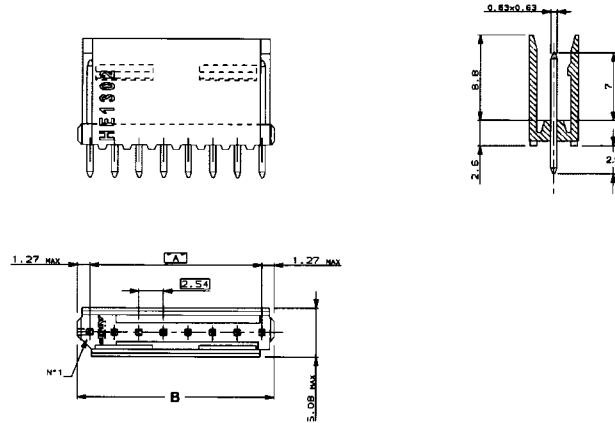
HE13—Selectively plated 0.4 µm gold on contact area, gold flash on insertion area, 2.5 µm tin min on solder tail with entire post underplated 1.3 µm nickel

HE14—Tin plated min. 2.5 µm on solder area, with entire post tin plated 0.8 µm over 0.8 µm nickel

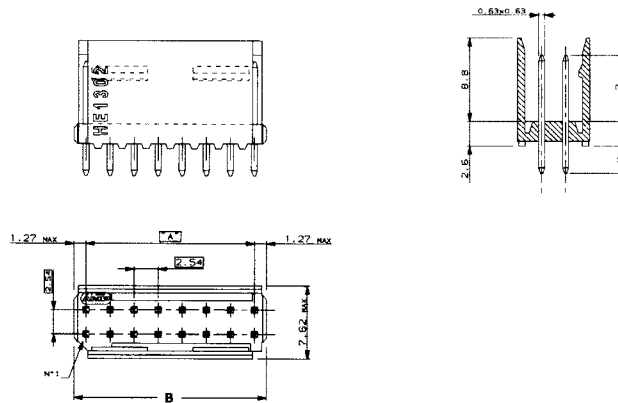
Technical Documents:

Product Specification
108-15053

Single-Row



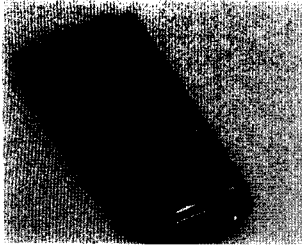
Double-Row



No. of Positions	Dimensions		Single-Row		Double-Row	
			Type / Part Numbers		Type / Part Numbers	
	A	B	HE13	HE14	HE13	HE14
2	2.54	5.08	281696-2	281695-2	281740-2	281739-2
3	5.08	7.62	281696-3	281695-3	281740-3	281739-3
4	7.62	10.16	281696-4	281695-4	281740-4	281739-4
5	10.16	12.70	281696-5	281695-5	281740-5	281739-5
6	12.70	15.24	281696-6	281695-6	281740-6	281739-6
7	15.24	17.78	281696-7	281695-7	—	—
8	17.78	20.32	281696-8	281695-8	281740-8	281739-8
10	22.86	25.40	1-281696-0	1-281695-0	1-281740-0	1-281739-0
12	27.94	30.48	1-281696-2	1-281695-2	1-281740-2	1-281739-2
13	30.48	33.82	—	—	1-281740-3	1-281739-3
15	35.56	38.10	1-281696-5	1-281695-5	1-281740-5	1-281739-5
17	40.64	43.18	1-281696-7	1-281695-7	1-281740-7	1-281739-7
18	43.18	45.72	1-281696-8	1-281695-8	1-281740-8	1-281739-8
20	48.26	50.80	—	—	2-281740-0	2-281739-0

Shrouded Headers, Right Angle

Right-Angle 0.63 mm Square Post



Material and Finish:

Housing—Blue flame retardant glass filled polyester, UL 94V-0 rated

Posts—Phosphor bronze, plated as follows:

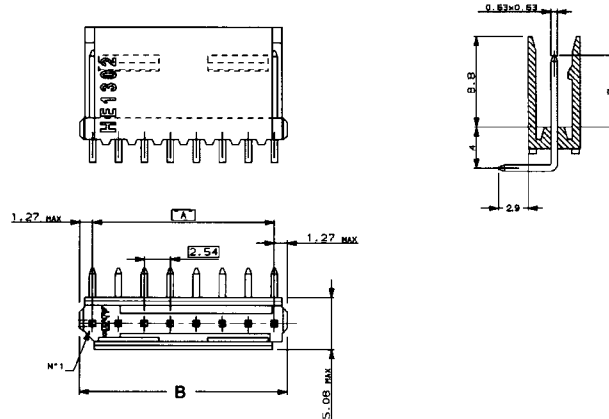
HE13—Selectively plated 0.4 µm gold on contact area, gold flash on insertion area, 2.5 µm tin min on solder tail with entire post underplated 1.3 µm nickel

HE14—Tin plated min. 2.5 µm on solder area, with entire post tin plated 0.8 µm over 0.8 µm nickel

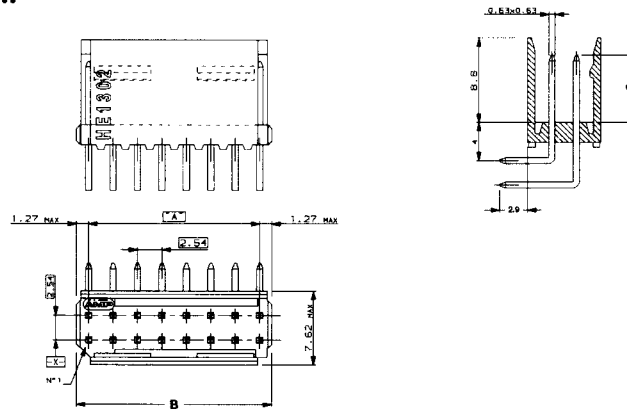
Technical Documents:

Product Specification
108-15053

Single-Row



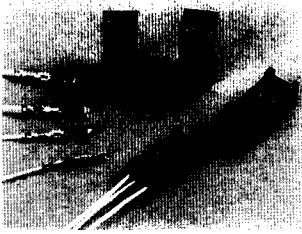
Double-Row



No. of Positions	Dimensions		Single Row		Double-Row	
			Type / Part Numbers		Type / Part Numbers	
	A	B	HE13	HE14	HE13	HE14
2	2.54	5.08	281699-2	281698-2	281743-2	281742-2
3	5.08	7.62	281699-3	281698-3	281743-3	281742-3
4	7.62	10.16	281699-4	281698-4	281743-4	281742-4
5	10.16	12.70	281699-5	281698-5	281743-5	281742-5
6	12.70	15.24	281699-6	281698-6	281743-6	281742-6
7	15.24	17.78	281699-7	281698-7	—	—
8	17.78	20.32	281699-8	281698-8	281743-8	281742-8
10	22.86	25.40	1-281699-0	1-281698-0	1-281743-0	1-281742-0
12	27.94	30.48	1-281699-2	1-281698-2	1-281743-2	1-281742-2
13	30.48	33.82	—	—	1-281743-3	1-281742-3
15	35.56	38.10	1-281699-5	1-281698-5	1-281743-5	1-281742-5
17	40.64	43.18	1-281699-7	1-281698-7	1-281743-7	1-281742-7
18	43.18	45.72	1-281699-8	1-281698-8	1-281743-8	1-281742-8
20	48.26	50.80	—	—	2-281743-0	2-281742-0

Receptacle Housings

Single & Double Row Receptacle Housings



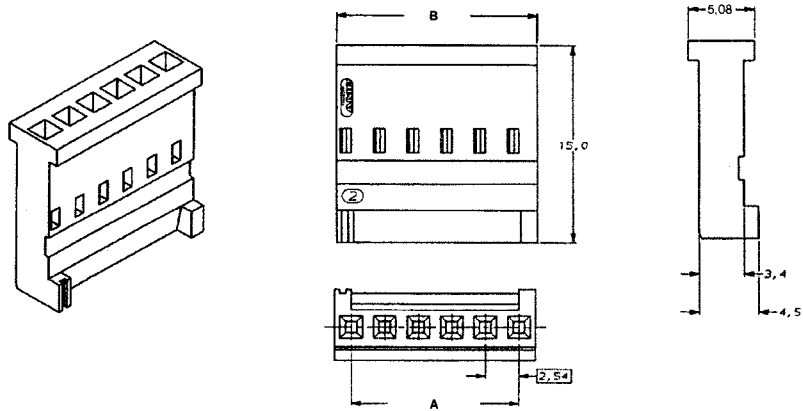
Material and Finish:

Housing—Blue flame retardant glass filled polyester, UL 94V-0 rated

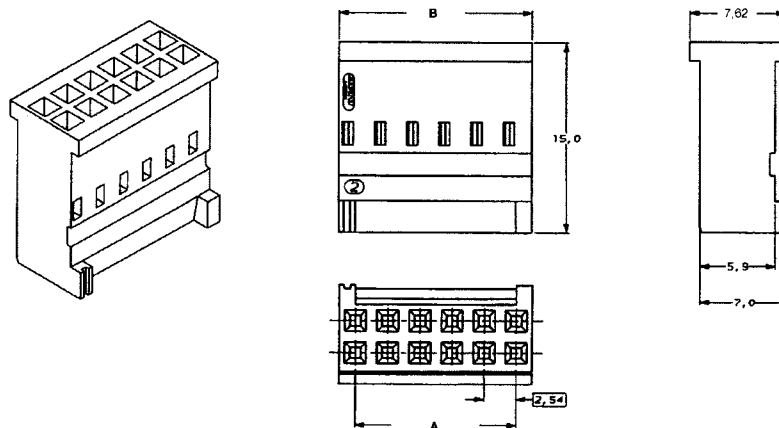
Technical Documents:

Product Specification
108-15053

Single Row

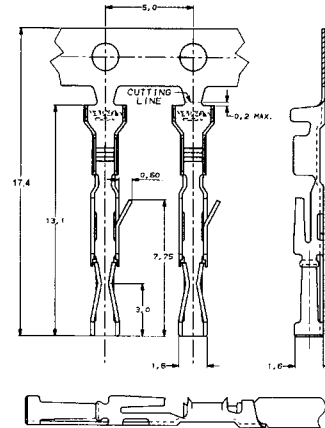


Double Row



No. of Positions	Dimensions		Part Numbers	
	A	B	Single Row	Double Row
3	5.08	7.62	281838-3	281839-3
4	7.62	10.16	281838-4	281839-4
5	10.16	12.70	281838-5	281839-5
6	12.70	15.24	281838-6	281839-6
7	15.24	17.78	281838-7	281839-7
8	17.78	20.32	281838-8	281839-8
9	20.32	22.86	281838-9	281839-9
10	22.86	25.40	1-281838-0	1-281839-0
12	27.94	30.48	1-281838-2	1-281839-2
14	33.02	35.56	1-281838-4	-
15	35.56	38.10	1-281838-5	1-281839-5
18	43.18	45.72	1-281838-8	1-281839-8

Crimp Snap-In Receptacle Contacts, with Insulation Support



Material and Finish:

Phosphor bronze, plated as follows:

HE13—Selectively plated 0.8 µm gold on contact area, 2.5 µm tin on crimp area, with entire contact underplated 1.3 µm nickel

HE14—Plated 2.5 µm tin

Technical Documents:

Product Specification
108-15053

Wire Size Range mm ²	AWG	Insulation Diameter mm	Plating	Part Numbers		Hand Tool
				Strip Form	Loose Piece	
0.22-0.08	24-28	1.5-0.8	HE 13	188746-1	182734-3	947679-1
			HE 14	188744-1	182734-2	