

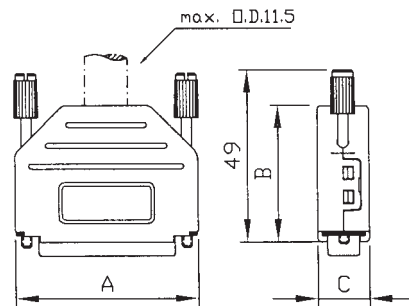
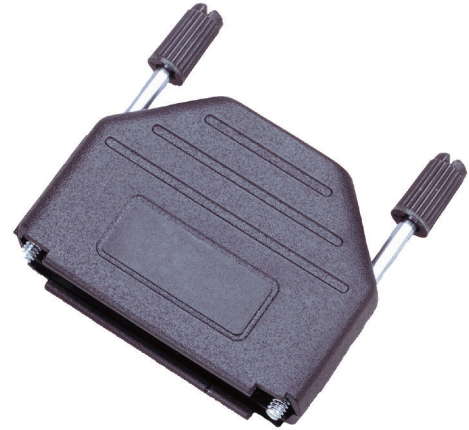
TECHNICAL SPECIFICATIONS

- Material:** Polyamid UL-recognized
- Operating Temperature:** -30°C to 110°C
- Cable Entry:** Top
- Thumbscrews:** UNC 4-40 (standard)
M2,5 or M3 upon request
- Cable Diameter:** Up to 11,5 mm
- Accessories:** See page 40-43

Available colours:

- Black
- Red
- Green
- Blue
- Yellow
- White
- Light Grey
- DEC Grey

Other colours on request.



Features:

- Available in sizes 9-15-25-37-50
- Suitable for any common D-sub connector
- Quick-snap locking system
- Re-openable
- Company logo available upon request
- Wide range of colours available
- Can also be offered in metalized version (See MHDPPK-T/M, page 12)

Size DPPK-SLIM	Dim A	Dim B	Dim C
9-way	31,5	34,0	15,0
15-way	40,0	34,0	15,0
25-way	53,5	40,0	15,0
37-way	70,0	40,0	15,0
50-way	67,5	40,0	19,0

Order Code

MHDPPK XX - Y - K

Series: _____

Size (xx): 09, 15, 25, 37, 50 _____

Colour (y): _____

BK = Black, **R** = Red, **G** = Green
B = Blue, **Y** = Yellow, **W** = White
LG = Light Grey, **DE** = DEC Grey

Packing Style: _____

Omit = Bulk, **K** = Kit

Colours **BROWN** and **BEIGE** available on request

