

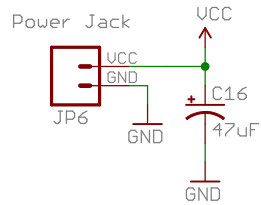
Spark Fun Electronics ⊗ ⊗

TITLE: Button_Pad_Controller-v24		SFE
Document Number: LED Display Circuit		REV:
Date: 1/21/2009 8:15:33 PM		Sheet: 1/3

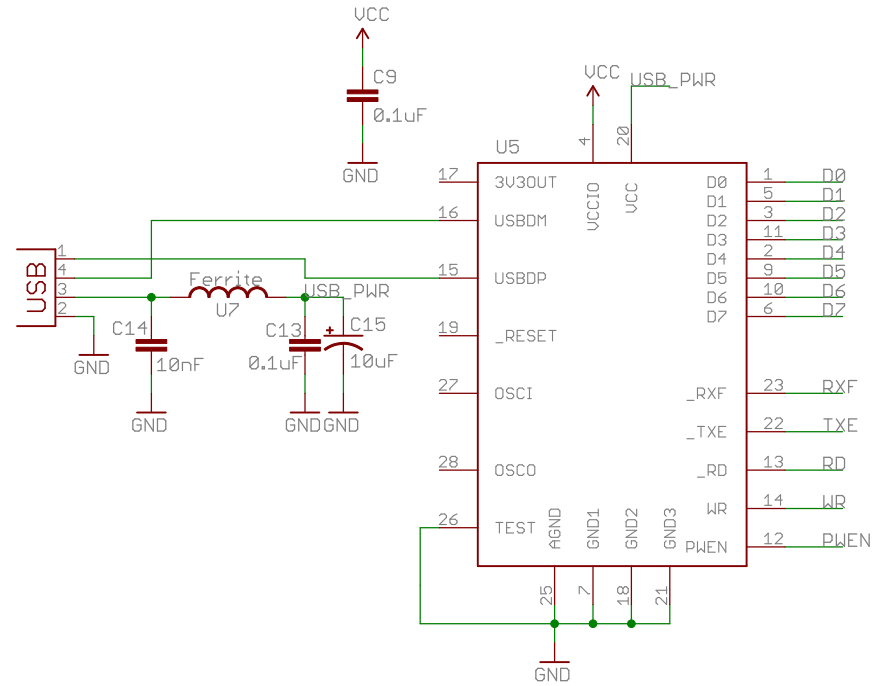
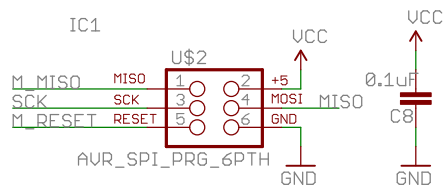
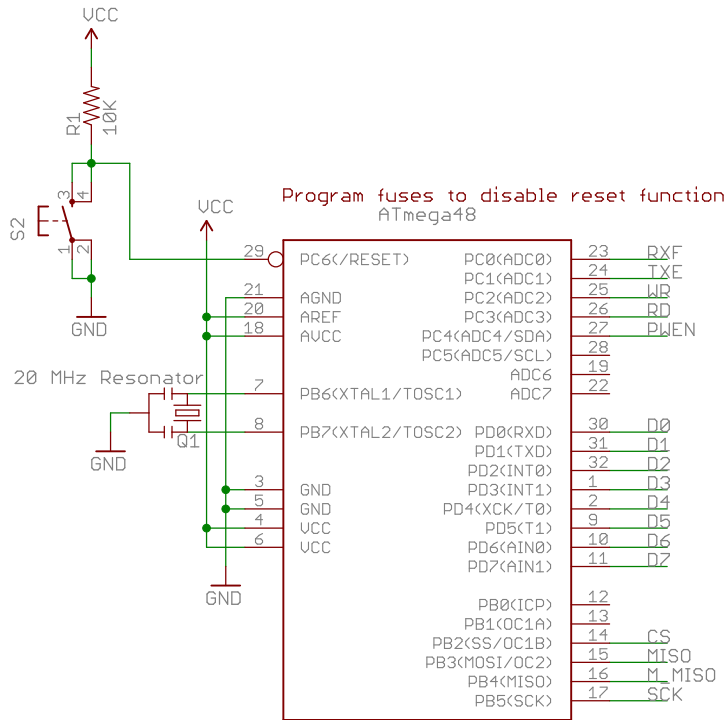
Released under the Creative Commons Attribution Share-Alike 3.0 License
<http://creativecommons.org/licenses/by-sa/3.0>
 Design by: Ryan Owens



TITLE: Button_Pad_Controller-v24	
Document Number: LED Matrix	REV:
Date: 1/21/2009 8:15:33 PM	Sheet: 2/3



Power Source is a regulated 5U 38amp computer power supply.



TITLE: Button_Pad_Controller-v24

Document Number:

REV:

Control Board Circuit

Date: 1/21/2009 8:15:33 PM

Sheet: 3/3