

6

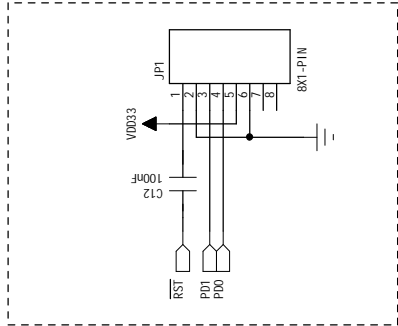
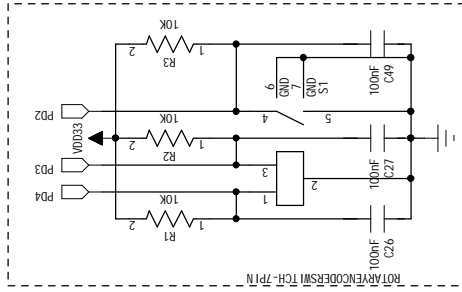
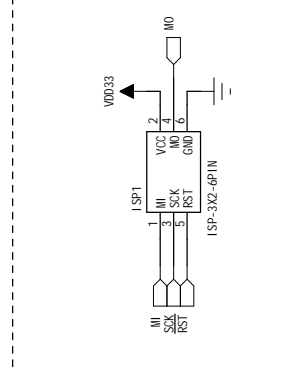
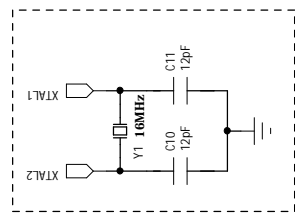
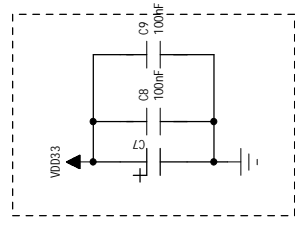
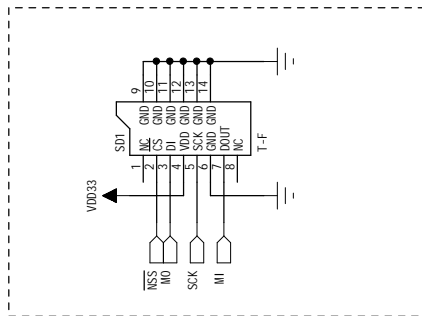
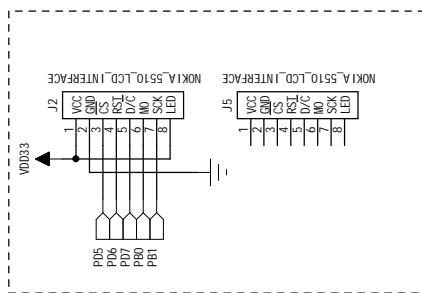
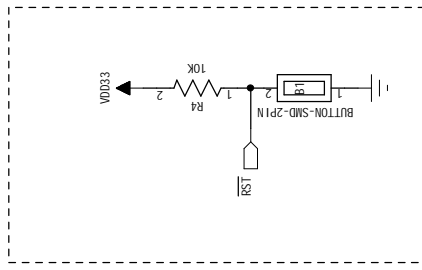
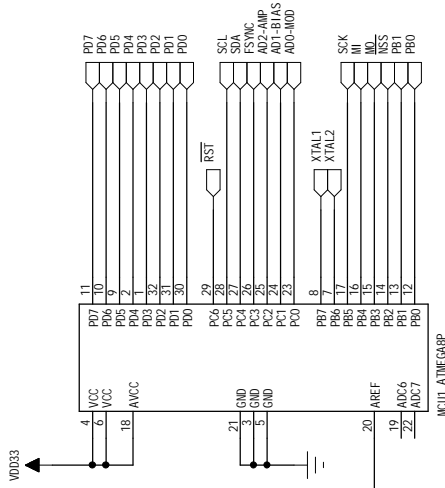
5

4

3

2

1



D

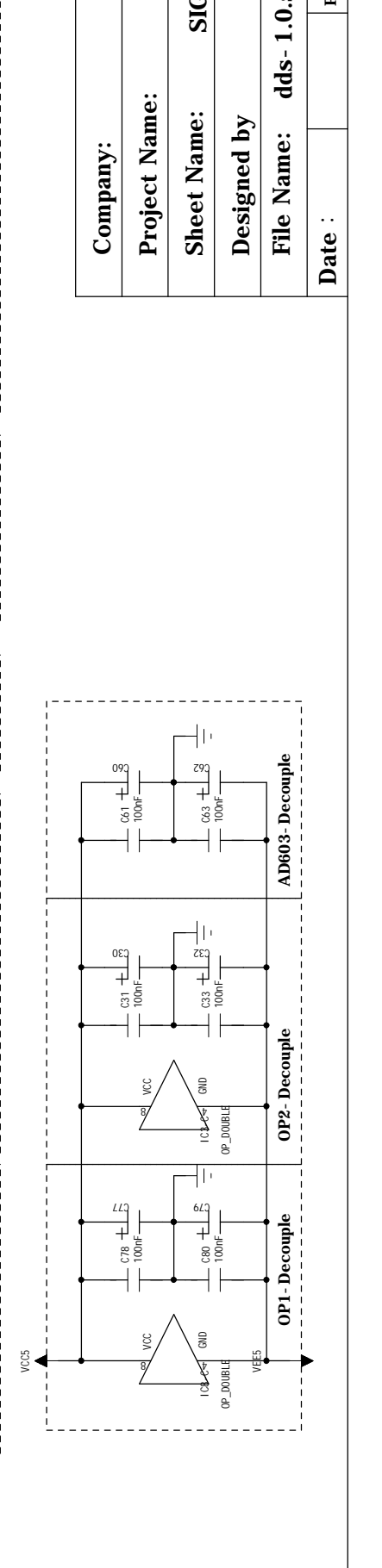
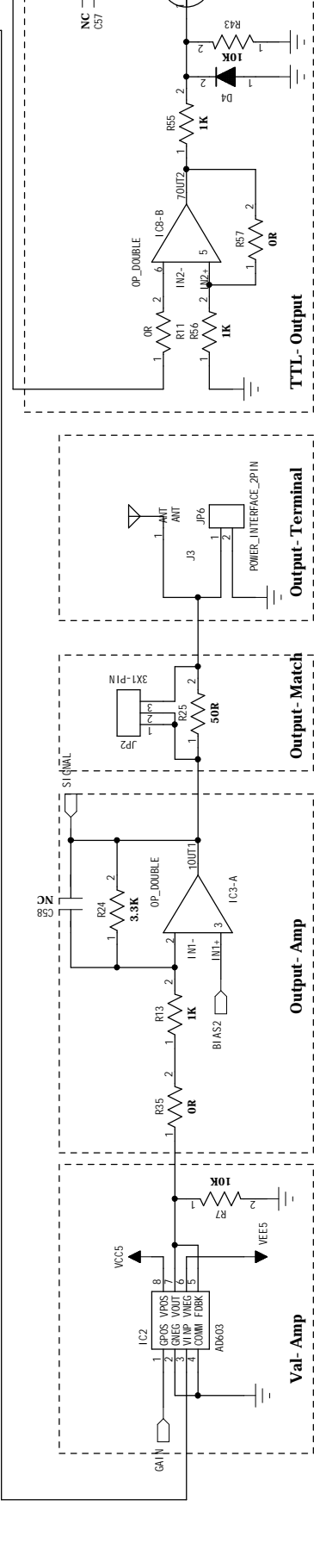
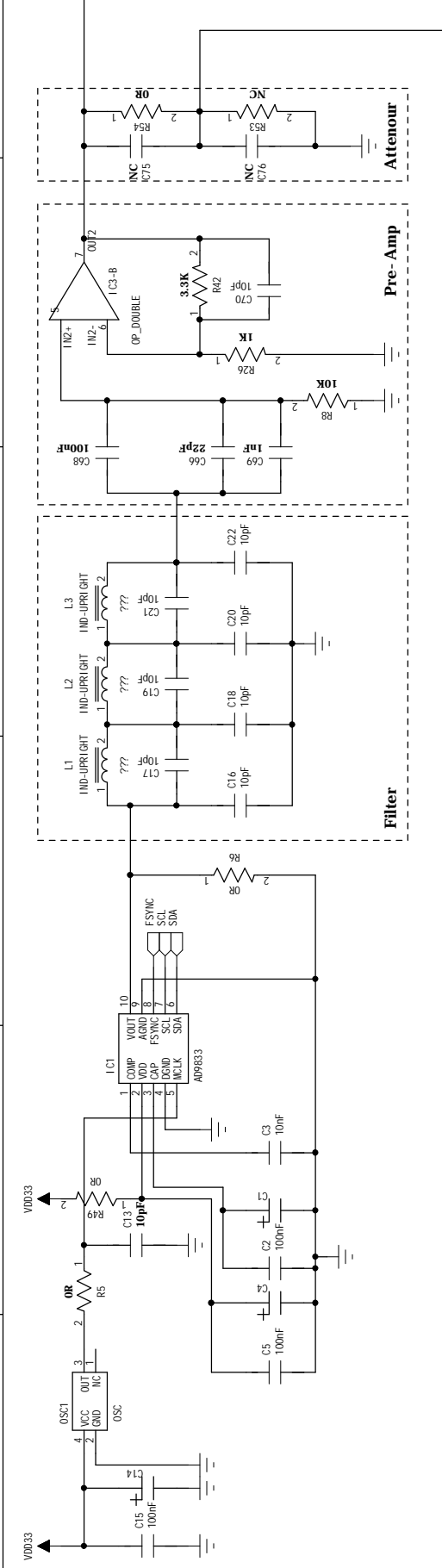
C

B

A

Company:	
Project Name:	Rev:
Sheet Name: CONTROL	
Designed by	
File Name: dds-1.0.sch	Page size: B
Date :	Page Num: 1 of 5

6 5 4 3 2 1



Company:	
Project Name:	Rev:
Sheet Name:	SIGNAL
Designed by	
File Name:	dds-1.0.sch Page size: B
Date :	

1

2

3

4

5

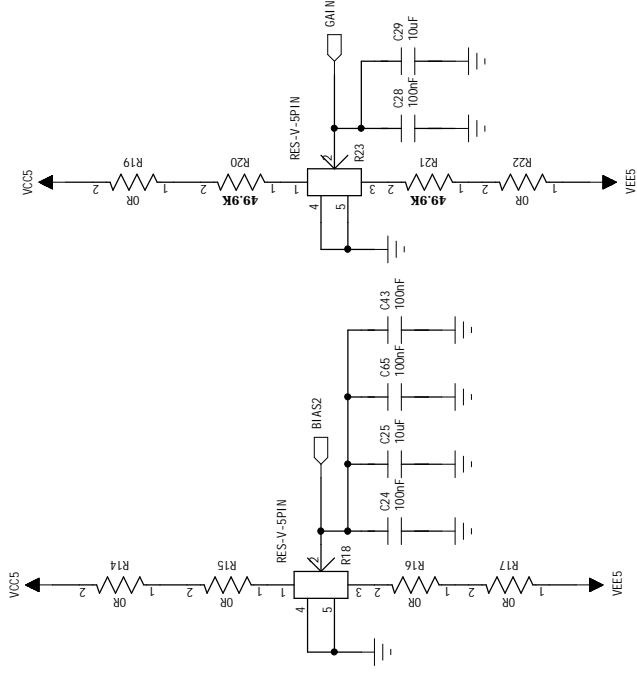
6

D

C

B

A



Company:

Project Name:

Rev:

Sheet Name: BIAS

Designed by

File Name: dds-1.0.sch Page size: B

Date :

Page Num: 3 of 5

D

C

B

A

6

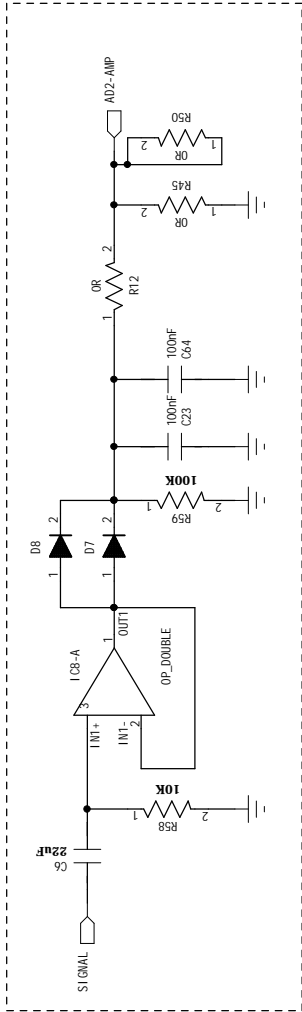
5

4

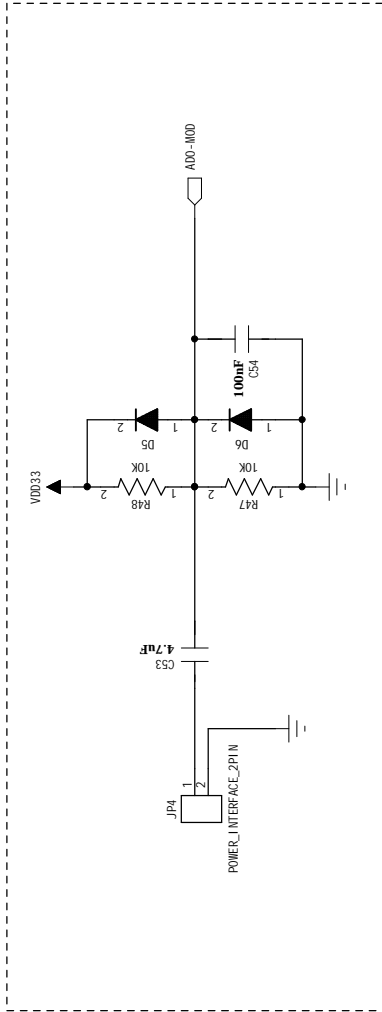
3

2

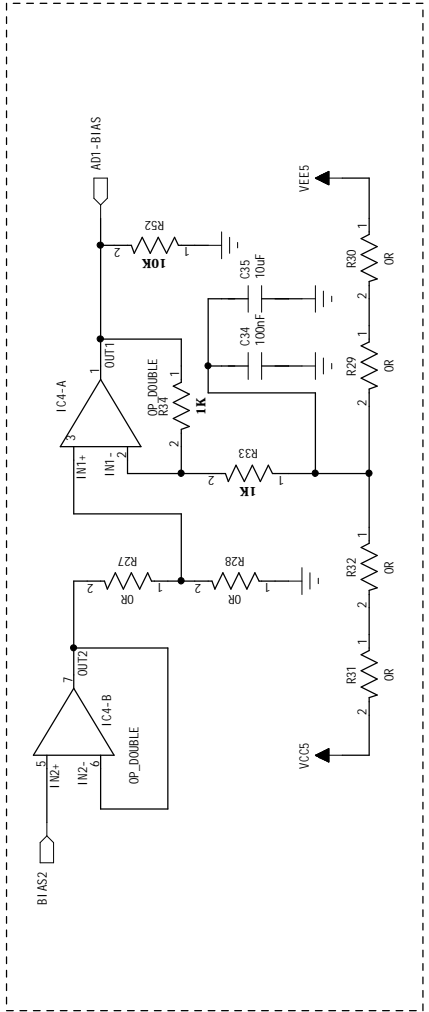
1



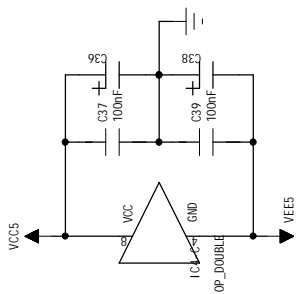
D



C



B



A

Company:	
Project Name:	Rev:
Sheet Name: MOD_SAMPLE	
Designed by	
File Name: dds-1.0.sch	Page size: B
Date :	Page Num: 4 of 5

D

C

B

1

2

3

4

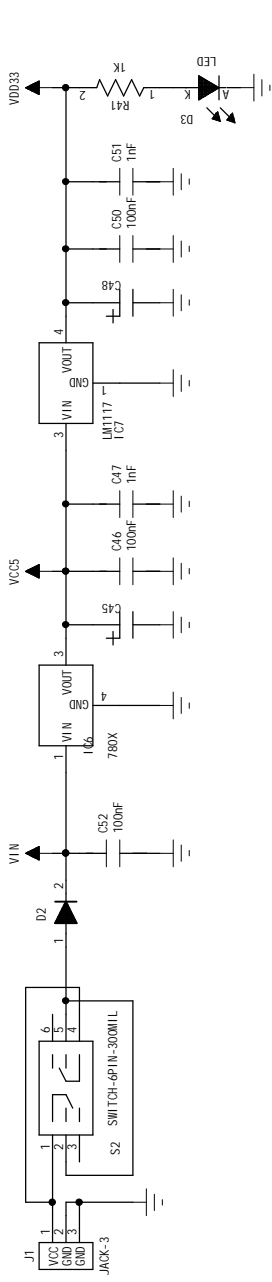
5

6

D

C

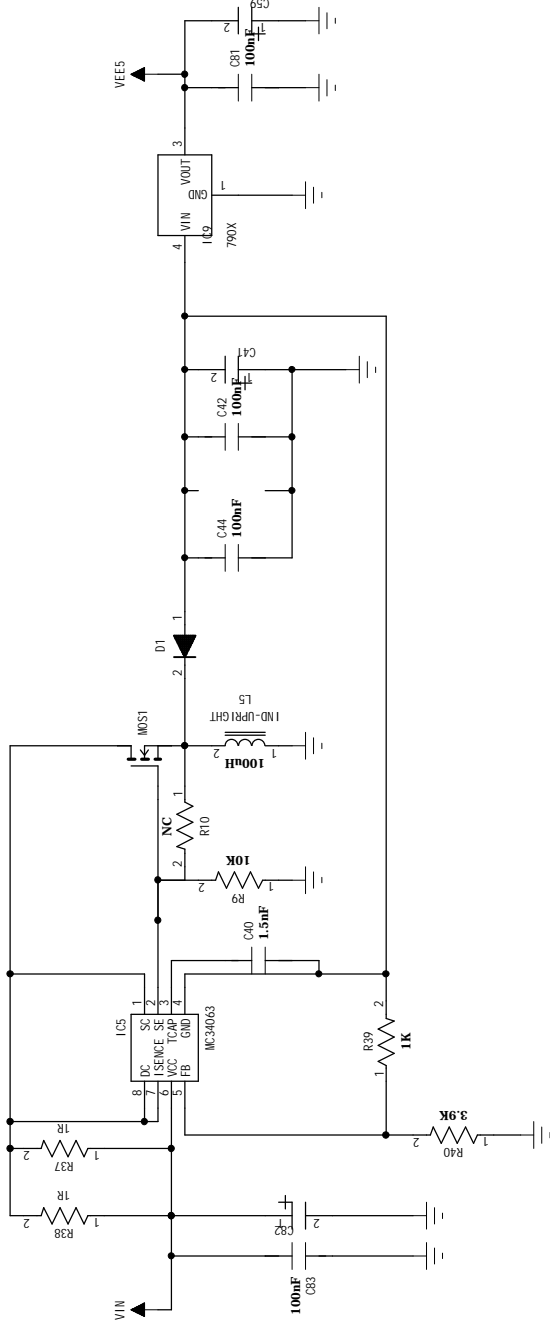
B



D

C

B



C

B

A

Company:

Project Name:

Rev:

Sheet Name: POWER

Designed by

File Name: dds-1.0.sch Page size: B

Date :

Page Num: 5 of 5